

INSTRUCTIONS FOR CAPRI TRACK

Part No. 715568101

CTW18, CTW36, CTW48 LINE VOLTAGE
CRW18, CRW36, CRW48 LOW VOLTAGE

IMPORTANT SAFETY INSTRUCTIONS

These Track accessories are for use only with Capri Lighting's "CT" series track system. Care must be taken to see that Capri Track and all connections have been installed in accordance with their instruction sheets, and that the electrical system has been tested before installing fixtures.

DESCRIPTION: Extension Wands for use with line voltage or low voltage track fixtures from the Capri Track System.

Assembly

Important: Disconnect power at panel before installation.

1. Attach stem assembly to track. **IMPORTANT:** For CT and CV line voltage track fixtures use CTW series Extension wands. For CR series low voltage track fixtures use CP12 Power Supply, CP134 monopoint canopy, and CRW series Extension wands.

GENERAL NOTES:

1. Capri Track has a circuit indicator groove on one side of the bottom edge. The groove indicates which of two circuits might energize fixtures installed to the track. Each Fixture Adapter has an embossed line on the underside to indicate which track circuit energizes it. Slope Adapters for Capri Track fixtures may be used on either circuit of Capri two circuit track.
2. Before inserting fixture adapter, observe the appropriate groove on smooth side for the circuit selected, so that when the adapter is rotated 90° clockwise, indicator line aligns with the groove or smooth side selected.
3. Depress spring-loaded slide lock housing of adapter. Insert insulated contact at top of adapter fully into track, rotate 90°, and allow outer slide lock to lock fixture into place. Adapter must be inserted all the way into track so that both electrical contacts will be made and the diecast cams will lock into V-grooves of the track. (See Figure 2.)
4. To operate track fixture using the other circuit, remove adapter, rotate 180°, and reinstall fixture to track.

NOTE:

When installing or using Capri Track system, basic safety precautions should always be followed. Read all instructions.

WARNING: RISK OF ELECTRICAL SHOCK OR FIRE:

NEVER

- install track to any vertical surface (e.g. walls, vertical beams, columns, door frames).
Fixtures may not remain secure, electrical components may be exposed, and hot fixtures may come in contact with persons or combustibles.

NEVER

- install track in wet or damp locations;
- install any part of the track system less than 5 feet above the floor;
- install any fixture assembly closer than 6 inches from any curtain or similar combustible material; or
- attempt to connect power tools, extension cords, appliances or the like to the track.

ALWAYS

- disconnect electrical power before adding to or changing the configuration of the track.

WARNING: RISK OF FIRE. FAILURE TO TIGHTEN ALL CONNECTIONS ON TRACK POWER SUPPLIES, TRACK CONNECTORS, PENDANT KITS, CANOPIES, AND ANY OTHER ELECTRICAL TRACK COMPONENT MAY RESULT IN EXCESSIVE TEMPERATURE AT THE CONNECTIONS CAUSING SPARKS AND/OR FIRE.

SAVE THESE INSTRUCTIONS

capri
L I G H T I N G

Capri Lighting
776 South Green Street
Tupelo, MS 38804
662-842-7212
662-841-5501 fax

Figure 1

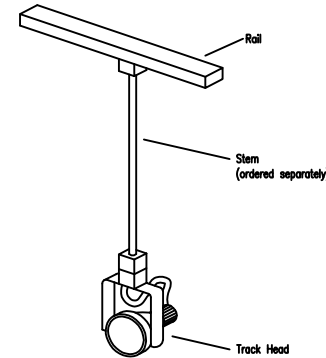
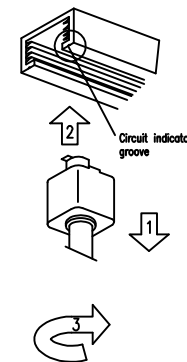


Figure 2



Canadian Division
189 Bullock Drive
Markham, Ontario L3P 1W4
905-294-9570
905-294-9811 fax