

INSTRUCTIONS FOR CAPRI TRACK

Part No. 715589101

CP5

IMPORTANT SAFETY INSTRUCTIONS

This Track Connector is for use only with Capri Lighting's "CT" series track system. Care must be taken to see that Capri Track and all connections have been installed in accordance with their instruction sheets, and that the electrical system has been tested before installing fixtures.

DESCRIPTION: Single circuit, two wire live end cord and plug connector, with 12' cord and in-line switch.
(Not UL listed.)

Caution: Plug must not be inserted in wall outlet until all electrical connections are made, including splices, switch installation, and connector insertion.

Assembly

1. The following Capri tracks are designed to be operated at 120 volts maximum: CT2, CT4, CT8 or CT12. The CP5 cord and plug connector accommodates 10 amps maximum.
2. Install the Capri track in accordance with instruction sheet packed with each piece of track.
3. Insert the CP5 cord and plug connector fully into the end of the Capri track.
4. Tighten the End Screw at the inside end of the connector to lock it to the track.
5. If a switch is desired, install as shown. Cut the wire opposite the ribbed wire. (Cut one wire only.)
6. Insert Plug into 120 volt electrical outlet.

NOTE:

When installing or using Capri Track system, basic safety precautions should always be followed. Read all instructions.

WARNING: RISK OF ELECTRICAL SHOCK OR FIRE:

NEVER

- install track to any vertical surface (e.g. walls, vertical beams, columns, door frames).
Fixtures may not remain secure, electrical components may be exposed, and hot fixtures may come in contact with persons or combustibles.

NEVER

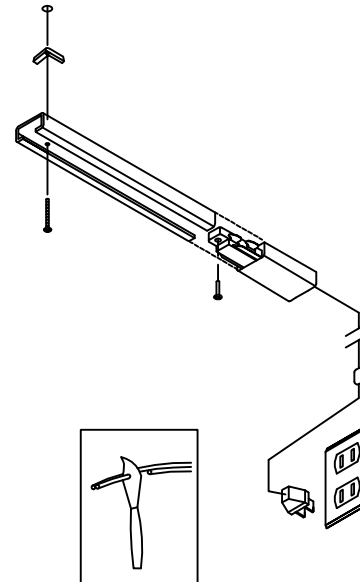
- install track in wet or damp locations;
- install any part of the track system less than 5 feet above the floor;
- install any fixture assembly closer than 6 inches from any curtain or similar combustible material; or
- attempt to connect power tools, extension cords, appliances or the like to the track.

ALWAYS

- disconnect electrical power before adding to or changing the configuration of the track.

WARNING: RISK OF FIRE. FAILURE TO TIGHTEN ALL CONNECTIONS ON TRACK POWER SUPPLIES, TRACK CONNECTORS, PENDANT KITS, CANOPIES, AND ANY OTHER ELECTRICAL TRACK COMPONENT MAY RESULT IN EXCESSIVE TEMPERATURE AT THE CONNECTIONS CAUSING SPARKS AND/OR FIRE.

SAVE THESE INSTRUCTIONS



capri
L I G H T I N G

Capri Lighting
776 South Green Street
Tupelo, MS 38804
662-842-7212
662-841-5501 fax

Canadian Division
189 Bullock Drive
Markham, Ontario L3P 1W4
905-294-9570
905-294-9811 fax