

# INSTRUCTIONS FOR CAPRI TRACK

Part No. 715591101

## CP213 (THROUGH CEILING "T" TRACK CONNECTOR/POWER FEED TWO CIRCUIT)

### IMPORTANT SAFETY INSTRUCTIONS

This Track Connector is for use only with Capri Lighting's "CT" series track system. Care must be taken to see that Capri Track and all connections have been installed in accordance with their instruction sheets, and that the electrical system has been tested before installing fixtures.

**DESCRIPTION:** Surface mounted through ceiling feed connector for electrical power supply to two circuit track system between three lengths of track. May also be used as a non-power "T" connector for three lengths of track.

**Assembly:** For non-power feed applications, make sure power is off and assemble using step #3 only.

1. Make sure power is off. Remove connector cover by removing three cover screws.
2. Remove the knockout and secure the conduit or non-metallic cable with proper fittings to the connector (connected by others.)
3. Insert connector to ends of each track and tighten the captive screws. Be sure to observe and maintain alignment of the CIRCUIT INDICATOR GROOVE on the bottom of each track. Orientation of the track connected to the T-leg of the connector is especially important to maintain circuit commonality. The arrows on the legs of the connector must all point to the groove side of the track or they must all point to the plain side of the track. Secure track to the ceiling and remove the arrow labels. **NOTE:** If the arrow labels are missing, proper orientation can be determined by removing the connector cover. Align all of the red wire terminals with the groove side of each track section, OR align all of the red wire terminals with the plain side of each track section.
4. Connect the line wires only to the screw terminal locations having single wire and connector. Fasten black line wire to one screw terminal marked L. Fasten the associated neutral wire to one screw terminal marked N. Fasten the red line wire to the other screw terminal marked L, and the associated neutral wire to one screw terminal marked N.

**NOTE:**

When installing or using Capri Track system, basic safety precautions should always be followed. Read all instructions.

**WARNING: RISK OF ELECTRICAL SHOCK OR FIRE:**

**NEVER**

- install track to any vertical surface (e.g. walls, vertical beams, columns, door frames).  
Fixtures may not remain secure, electrical components may be exposed, and hot fixtures may come in contact with persons or combustibles.

**NEVER**

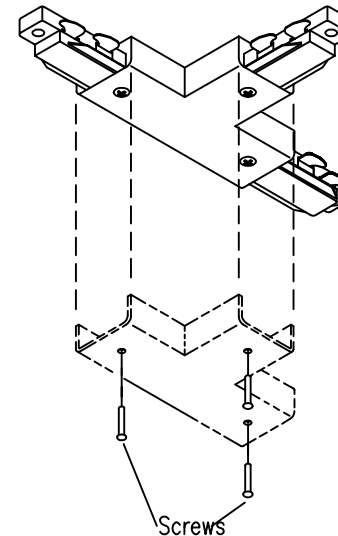
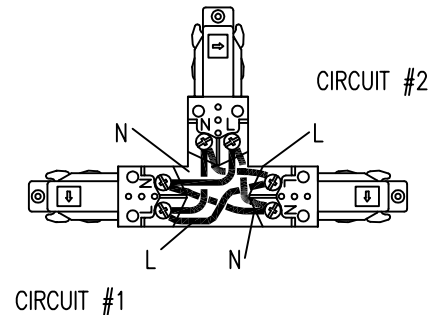
- install track in wet or damp locations;
- install any part of the track system less than 5 feet above the floor;
- install any fixture assembly closer than 6 inches from any curtain or similar combustible material; or
- attempt to connect power tools, extension cords, appliances or the like to the track.

**ALWAYS**

- disconnect electrical power before adding to or changing the configuration of the track.

**WARNING: RISK OF FIRE. FAILURE TO TIGHTEN ALL CONNECTIONS ON TRACK POWER SUPPLIES, TRACK CONNECTORS, PENDANT KITS, CANOPIES, AND ANY OTHER ELECTRICAL TRACK COMPONENT MAY RESULT IN EXCESSIVE TEMPERATURE AT THE CONNECTIONS CAUSING SPARKS AND/OR FIRE.**

SAVE THESE INSTRUCTIONS



**capri**  
LIGHTING

Capri Lighting  
776 South Green Street  
Tupelo, MS 38804  
662-842-7212  
662-841-5501 fax

Canadian Division  
189 Bullock Drive  
Markham, Ontario L3P 1W4  
905-294-9570  
905-294-9811 fax