

INSTRUCTIONS FOR CAPRI TRACK

Part No. 715601101

CP113 (THROUGH CEILING "T" TRACK CONNECTOR SINGLE CIRCUIT)

IMPORTANT SAFETY INSTRUCTIONS

This Track Connector is for use only with Capri Lighting's "CT" series track system. Care must be taken to see that Capri Track and all connections have been installed in accordance with their instruction sheets, and that the electrical system has been tested before installing fixtures.

DESCRIPTION: Surface mounted through ceiling feed connector for electrical power supply to single circuit track system between three lengths of track. May also be used as a non-power "T" connector for three lengths of track.

Assembly:

1. Make sure power is off. Remove connector cover by removing three cover screws.
2. Secure conduit or non-metallic cable with proper fittings to connector (connected by others.)
3. Insert connector to ends of each track and tighten all screws. Secure track to ceiling.
4. Fasten load wire to screw terminal L, and neutral wire to terminal N.
5. If required (as with non-metallic cable), fasten ground wire to green screw terminal. Replace cover and cover screws.
6. For non-power "T" track connector, install as above without electrical connections.

NOTE:

When installing or using Capri Track system, basic safety precautions should always be followed. Read all instructions.

WARNING: RISK OF ELECTRICAL SHOCK OR FIRE:

NEVER

- install track to any vertical surface (e.g. walls, vertical beams, columns, door frames).
Fixtures may not remain secure, electrical components may be exposed, and hot fixtures may come in contact with persons or combustibles.

NEVER

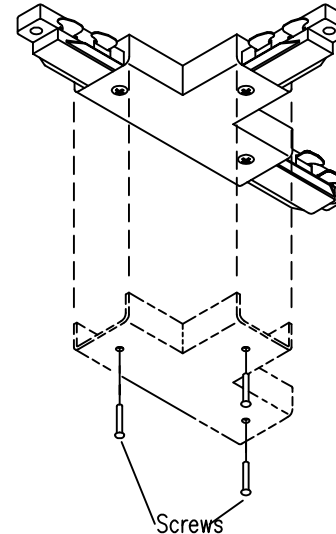
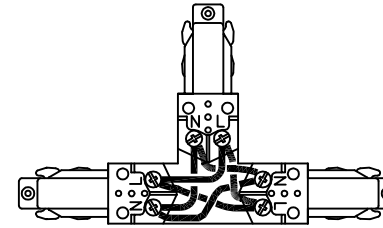
- install track in wet or damp locations;
- install any part of the track system less than 5 feet above the floor;
- install any fixture assembly closer than 6 inches from any curtain or similar combustible material; or
- attempt to connect power tools, extension cords, appliances or the like to the track.

ALWAYS

- disconnect electrical power before adding to or changing the configuration of the track.

WARNING: RISK OF FIRE. FAILURE TO TIGHTEN ALL CONNECTIONS ON TRACK POWER SUPPLIES, TRACK CONNECTORS, PENDANT KITS, CANOPIES, AND ANY OTHER ELECTRICAL TRACK COMPONENT MAY RESULT IN EXCESSIVE TEMPERATURE AT THE CONNECTIONS CAUSING SPARKS AND/OR FIRE.

SAVE THESE INSTRUCTIONS



capri
L I G H T I N G

Capri Lighting
776 South Green Street
Tupelo, MS 38804
662-842-7212
662-841-5501 fax

Canadian Division
189 Bullock Drive
Markham, Ontario L3P 1W4
905-294-9570
905-294-9811 fax