

INSTRUCTIONS FOR CAPRI TRACK

Part No. 715606101

CP107 (FLOATING CANOPY CONNECTOR/POWER FEED FOR OUTLET BOX MOUNTING, SINGLE CIRCUIT)

IMPORTANT SAFETY INSTRUCTIONS

This Track Connector is for use only with Capri Lighting's "CT" series track system. Care must be taken to see that Capri Track and all connections have been installed in accordance with their instruction sheets, and that the electrical system has been tested before installing fixtures.

DESCRIPTION: Surface mounted floating canopy connector for supplying power to single circuit track system under an outlet box anywhere along the track.

Assembly:

1. Make sure power is off.
2. Attach Box Cover Plate to Track by tightening each of two Lateral Screws into the sides of the track.
3. Insert Power Connector into the track and rotate 90 clockwise to engage conductors.
4. Attach Red Lead from connector to Load Wire.
5. Attach White Lead from connector to Neutral Wire.
6. Attach Green Lead from Cover Plate to Ground Wire.
7. Box Cover Plate may be attached to Outlet Box.
8. Secure track to ceiling.
9. Secure Canopy to cover plate with two provided screws.

NOTE:

When installing or using Capri Track system, basic safety precautions should always be followed. Read all instructions.

WARNING: RISK OF ELECTRICAL SHOCK OR FIRE:

NEVER

- install track to any vertical surface (e.g. walls, vertical beams, columns, door frames).
Fixtures may not remain secure, electrical components may be exposed, and hot fixtures may come in contact with persons or combustibles.

NEVER

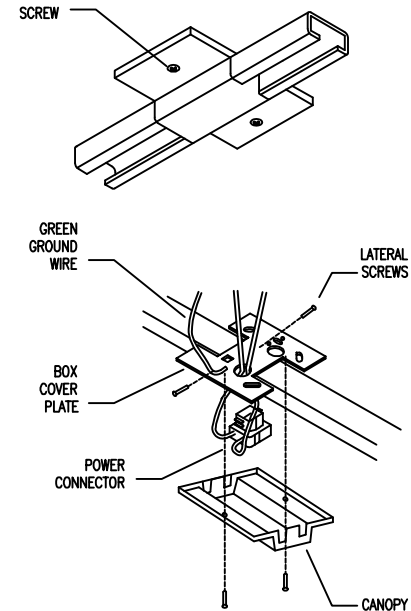
- install track in wet or damp locations;
- install any part of the track system less than 5 feet above the floor;
- install any fixture assembly closer than 6 inches from any curtain or similar combustible material; or
- attempt to connect power tools, extension cords, appliances or the like to the track.

ALWAYS

- disconnect electrical power before adding to or changing the configuration of the track.

WARNING: RISK OF FIRE. FAILURE TO TIGHTEN ALL CONNECTIONS ON TRACK POWER SUPPLIES, TRACK CONNECTORS, PENDANT KITS, CANOPIES, AND ANY OTHER ELECTRICAL TRACK COMPONENT MAY RESULT IN EXCESSIVE TEMPERATURE AT THE CONNECTIONS CAUSING SPARKS AND/OR FIRE.

SAVE THESE INSTRUCTIONS



capri
LIGHTING

Capri Lighting
776 South Green Street
Tupelo, MS 38804
662-842-7212
662-841-5501 fax

Canadian Division
189 Bullock Drive
Markham, Ontario L3P 1W4
905-294-9570
905-294-9811 fax