

**2 Lamp  
CF18  
Recessed Direct/Indirect**

**APPLICATION**

- Architectural recessed direct/indirect lighting for glare free illumination.
- Ideal for lighting private offices, boardrooms and small spaces.
- Same cross section as the 1x4 Arioso - a perfect complement for corner applications.
- Suitable for grid inverted T (NEMA "G") ceilings.
- Fully recessed mounting.

**CONSTRUCTION/FINISH**

- No visible welding, screws, latches, springs, hooks, rivets or plastic supports.
- Soft white baked enamel finish.
- Easy ballast access through removable back reflector.
- Optional hold down clips available. (Order separately: cat # AVHD)

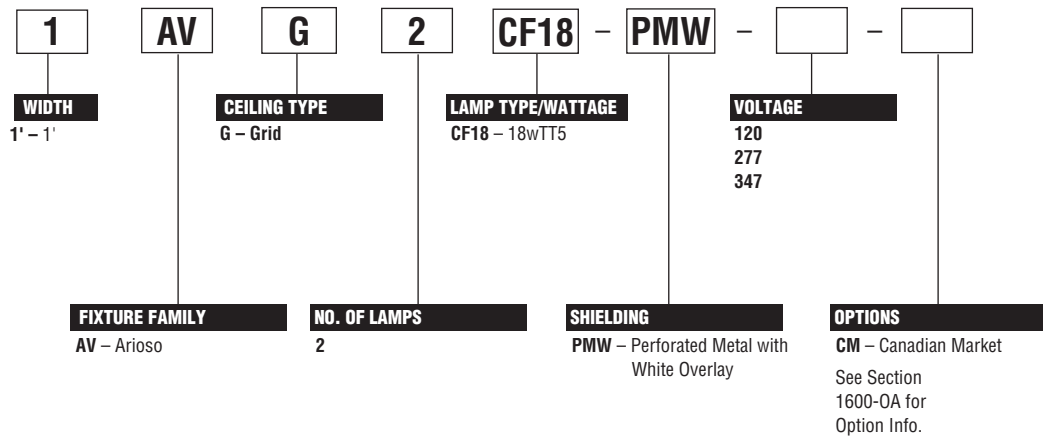
**ELECTRICAL**

- Class P, HPF ballasts comply with ©Federal Ballast Law (Public Law 100-357,1988).
- UL listed for damp locations. C.S.A. certified optional.

**ENCLOSURES**

- Micro-perforated mesh lamp shield provides soft awareness of light source.
- Swing down lamp shield for easy relamping.
- Soft white overlay on inside of micro-perforated mesh conceals lamp image and balances reflected and direct light.

**CATALOG NUMBER**

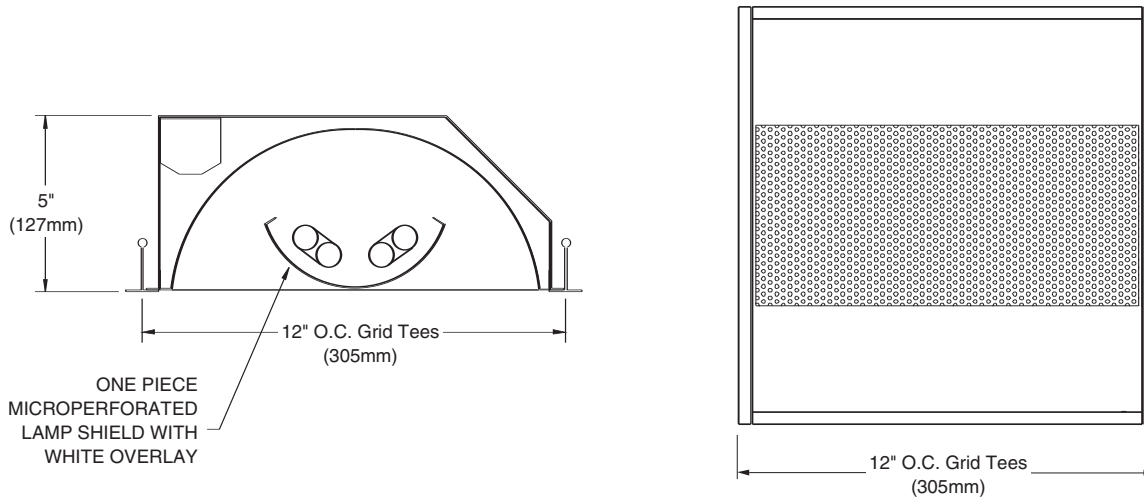


**NOTES:**

- With generic Electronic Ballasts (Brand selected by Day-Brite)  
Suffix Catalog # with **Ballast Quantity - / -EB Lamps Per Ballast.**

**Example:** -1/2-EB = One 2 Lamp Electronic Ballast.

## DIMENSIONS



## PHOTOMETRIC DATA

CATALOG # 1AVG2CF18-PMW-1/2-EB  
TEST #F21380 S/MH= 1.3

LAMPS = 18wT5  
BALLAST = ELECTRONIC BALLAST FACTOR = .99

LER = 28

COMPARATIVE YEARLY LIGHTING ENERGY COST PER 1000 LUMENS = **\$8.57** BASED ON 3000 HRS. AND \$.08 PER KWH.

FIXTURE EFFICIENCY= 43.4%

CANDLEPOWER			
Angle	End	45	Cross
0	414	414	414
5	412	413	414
10	404	407	411
15	391	397	405
20	374	384	396
25	353	369	385
30	329	350	365
35	303	327	342
40	273	300	308
45	241	267	268
50	207	230	228
55	173	191	185
60	137	149	157
65	105	112	128
70	75	87	98
75	49	60	68
80	27	35	40
85	11	13	15

### MAINTAINED ILLUMINATION TABLE- Square Feet/Fixture\*

- 80-50-20 Reflectances (Ceiling-Wall-Floor)
- LLF = 0.84 1250 Lumens/Lamp very clean
- Room width divided by room height = 5 or more, 2 or 1

Fixture Size & # of Lamps	Room Width Room Height =	Approx. Area (sq. ft.) per Fixture			
		10 ft-c	30 ft-c	50 ft-c	100 ft-c
1' X 1'	5	95	32	-	-
2 Lamp	2	65	-	-	-
	1	48	-	-	-

\*Observe Fixture S/MH Requirements for Specific Applications

### AVERAGE LUMINANCE CD/SQ.M WITH 1250 LUMEN LAMPS

ANGLE	END	45°	CROSS
45	3669	4064	4080
55	3247	3584	3472
65	2674	2853	3260
75	2038	2495	2828
85	1359	1606	1853

### TYPICAL V.C.P.'s

Room Mounting Height Size	Lengthwise		Crosswise	
	8.5	10	8.5	10
30x30	50	53	46	50
40x40	49	51	45	47
60x30	53	55	51	54
60x60	49	49	45	45
100x100	51	50	47	47

### COEFFICIENT OF UTILIZATION

pfc pcc pw	20			70			50		
	70	50	30	70	50	30	50	30	50
RCR	0	52	52	52	50	50	50	47	47
0	46	45	44	46	44	42	42	42	40
1	42	40	36	41	39	35	36	34	34
2	40	34	32	39	34	30	33	29	29
3	35	30	28	34	30	27	29	27	27
4	33	28	23	33	28	23	27	23	23
5	30	25	20	29	25	20	23	20	20
6	28	23	19	28	23	19	22	19	19
7	27	20	17	26	20	17	20	17	17
8	25	19	16	23	19	16	19	14	14
9	23	17	14	23	17	14	17	14	14
10									

### LIGHT DISTRIBUTION

DEGREES	LUMENS	% LAMP	% FIXTURE
0-30	321	12.8	29.6
0-40	523	20.9	48.3
0-60	890	35.6	82.1
0-90	1084	43.4	100.0
90-180	0	0.0	0.0
0-180	1084	43.4	100.0

LLF = .84 LLF = LIGHT LOSS FACTOR LLF = LDD X LLD X BF LDD = VERY CLEAN 0.94 CLEAN 0.90  
LLD = 0.90 @ 40% RATED LAMP LIFE BF = .99 ELECTRONIC BALLAST & 18wT5 LAMP (RELAMP AT 70% LAMP LIFE)