

2 Lamp T5 or CF T5 Recessed Direct/Indirect

APPLICATION

- Architectural recessed direct/indirect lighting for glare free illumination.
- Low profile reflector and lamp cover provide a sleek, modern appearance.
- Shallow housing requires only 3-5/8" of plenum space, great for shallow plenum applications.
- Models with emergency ballast or multiple ballasts require 5-1/4" of plenum space.
- Provides soft, uniform lighting without hot spots or dark areas.
- Housing edge design locates the bottom of the luminaire flush with the ceiling plane in standard grid (NEMA G) or screw slot (NEMA SS) applications.
- NOT suitable for flush mounting in narrow face grid (NEMA NFG) applications.
- Fully recessed mounting, suitable for row mounting.

CONSTRUCTION/FINISH

- Top reflector and end panels are formed together with no gaps.

- No visible welding, screws, latches, springs, hooks, rivets or plastic supports.
- Reflector features soft, high reflectance matte white finish that is applied after fabrication.
- Easy ballast access through lamp compartment.
- Optional hold down clips available (order separately: cat # AVHD).

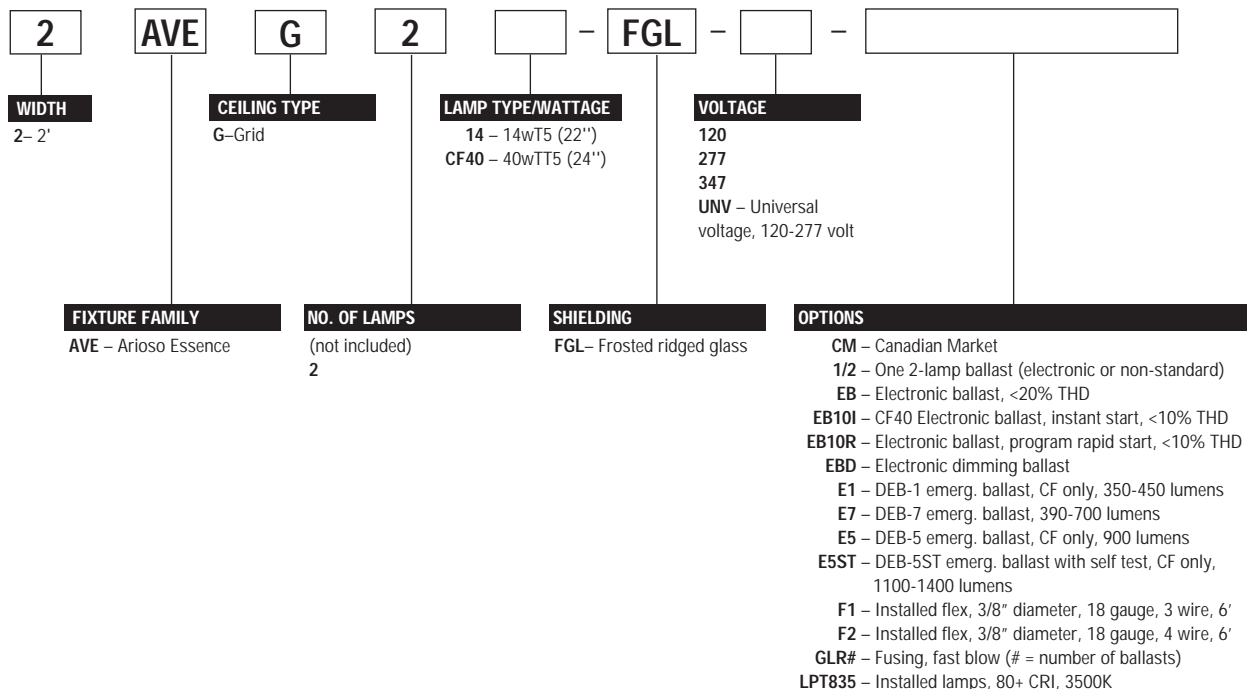
ELECTRICAL

- Class P, HPF ballasts comply with © Federal Ballast Law (Public Law 100-357,1988).
- UL listed for damp locations. C.S.A. certified optional.
- Self-contained fluorescent emergency power pack can be incorporated in some models, UL listed for dry locations.

ENCLOSURES

- Split diffusers combine frosted, ridged glass with satin-finished natural metal hinge panels to incorporate premium textures and finishes.
- Swing down lamp shields for easy relamping.

CATALOG NUMBER

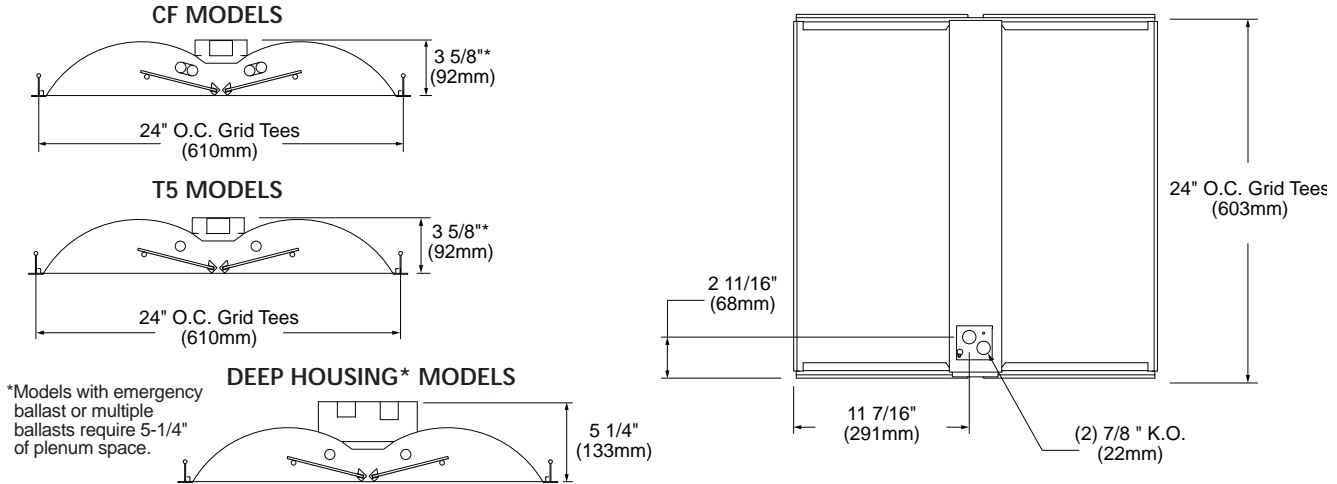


JOB INFORMATION

0276.1-AR

Arioso® ESSENCE GLASS 2' x 2'

DIMENSIONS



PHOTOMETRIC DATA

CATALOG # 2AVEG2CF40-FGL-1/2-EB
 TEST #27593 S/MH= 1.2

LAMPS = 40wT5

INPUT WATTS = 69

BALLAST = ELECTRONIC

BALLAST FACTOR = .88

LER = 53

COMPARATIVE YEARLY LIGHTING ENERGY COST PER 1000 LUMENS = \$4.53 BASED ON 3000 HRS. AND \$.08 PER KWH.

FIXTURE EFFICIENCY= 65.8%

CANDLEPOWER				
Angle	End	45	Cross	
0	1497	1497	1497	
5	1492	1491	1481	
10	1465	1466	1462	
15	1425	1426	1427	
20	1370	1374	1380	
25	1299	1309	1320	
30	1217	1233	1253	
35	1128	1150	1179	
40	1025	1058	1104	
45	917	965	1009	
50	807	870	902	
55	688	762	793	
60	574	646	691	
65	455	529	575	
70	343	419	430	
75	234	286	240	
80	138	136	146	
85	53	56	48	

MAINTAINED ILLUMINATION TABLE- Square Feet/Fixture*

- 80-50-20 Reflectances (Ceiling-Wall-Floor)
- LLF = 0.75 3150 Lumens/Lamp very clean
- Room width divided by room height = 5 or more, 2 or 1

Fixture Size & # of Lamps	Room Width Room Height =	Approx. Area (sq. ft.) per Fixture			
		10 ft-c	30 ft-c	50 ft-c	70 ft-c
2' X 2'	5	-	107	64	46
2 Lamp CF40	2	-	73	44	31
glass	1	-	53	32	-

*Observe Fixture S/MH Requirements for Specific Applications

AVERAGE LUMINANCE CD/SQ.M WITH 3150 LUMEN LAMPS

ANGLE	END	45°	CROSS
45	3490	3672	3840
55	3228	3575	3720
65	2897	3368	3661
75	2433	2974	2495
85	1636	1729	1482

TYPICAL V.C.P.'s

Room Size	Mounting Height			
	8.5	10	8.5	10
30x30	46	49	45	48
40x40	46	47	45	46
60x30	50	52	49	51
60x60	46	45	45	45
100x100	48	47	49	48

COEFFICIENT OF UTILIZATION

pfc pcc pw RCR	20				70				50			
	70	50	30	20	70	50	30	20	70	50	30	20
0	78	78	78	77	77	77	72	72	72	72	72	72
1	71	68	66	69	67	64	64	61	64	61	61	61
2	65	59	55	63	57	54	56	53	56	53	53	53
3	58	52	46	57	51	46	48	45	48	45	45	45
4	54	46	40	53	46	40	44	39	44	39	39	39
5	50	40	35	48	40	34	39	34	39	34	34	34
6	46	36	30	45	36	30	35	30	35	30	30	30
7	42	34	28	41	33	28	32	27	32	27	27	27
8	40	30	25	39	29	25	29	25	29	25	25	25
9	36	28	23	35	28	23	27	22	27	22	22	22
10	34	26	20	34	26	20	25	20	25	20	20	20

LIGHT DISTRIBUTION

DEGREES	LUMENS	% LAMP	% FIXTURE
0-30	1148	18.2	27.7
0-40	1868	29.7	45.0
0-60	3282	52.1	79.2
0-90	4147	65.8	100.0

LLF = .75 LLF = LIGHT LOSS FACTOR LLF = LDD X LLD X BF LDD = VERY CLEAN 0.94 CLEAN 0.90
 LLD = 0.90 @ 40% RATED LAMP LIFE BF = .88 ELECTRONIC BALLAST & 40W T5 LAMP (RELAMP AT 70% LAMP LIFE)

0276.1-AR

DAY-BRITE LIGHTING • www.daybritelighting.com
 776 South Green Street • Tupelo, Mississippi 38804 • PH: (662) 842-7212 • FAX: (662) 841-5501

CANADIAN DIVISION
 189 Bullock Drive • Markham, Ontario L3P 1W4 • PH: (905) 294-9570 • FAX: (905) 294-9811

©FEBRUARY 2010 DAY-BRITE LIGHTING DAY-BRITE RESERVES THE RIGHT TO MAKE CHANGES WITHOUT NOTICE.

PHILIPS
Day-Brite