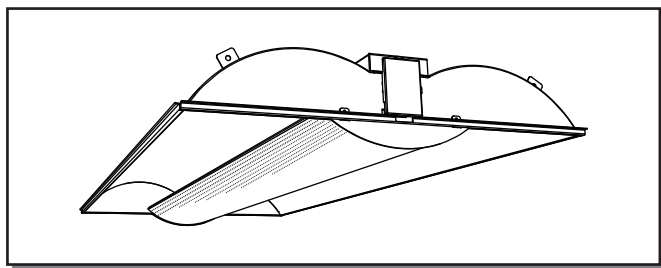


Ariosso® MID-DEPTH SEMI-RECESSED 2' x 4'



2 or 3 Lamp
T8, T5 or T5HO

APPLICATION

- Architectural recessed direct/indirect lighting for glare free illumination.
- Combines a low profile reflector with a sleek basket shape for a modern appearance.
- Shallow housing requires only 3-5/8" of plenum space, great for shallow plenum applications.
- Basket extends less than 1-1/2" below the ceiling plane for T5 models and less than 2-1/2" below the ceiling for T8 models.
- Provides soft, uniform lighting without hot spots or dark areas.
- Housing edge design locates the bottom of the reflector flush with the ceiling plane in standard grid (NEMA G) or screw slot (NEMA SS) applications.
- NOT suitable for flush mounting in narrow face grid (NEMA NFG) applications.
- For applications where plenum depth is limited.
- T5/T5HO models are suitable for row mounting. T8 models are NOT suitable for row mounting.

CONSTRUCTION/FINISH

- Top reflector and end panels are formed together with no gaps.
- No visible welding, screws, latches, springs, hooks, rivets or plastic supports.
- Reflector features soft, high reflectance matte white finish that is applied after fabrication.
- Easy ballast access through lamp compartment.
- Optional hold down clips available. (Order separately: cat # AVHD)

ELECTRICAL

- Class P, HPF ballasts comply with ©Federal Ballast Law (Public Law 100-357,1988).
- UL listed for damp locations. C.S.A. certified optional.
- Self-contained fluorescent emergency power pack can be incorporated, UL listed for dry locations.

ENCLOSURES

- Micro-perforated mesh lamp shield provides soft awareness of light source.
- Swing down lamp shield for easy relamping.
- Soft white overlay on inside of micro-perforated mesh conceals lamp image and balances reflected and direct light.

CATALOG NUMBER

2	AVD	G			- PMW -		
WIDTH		CEILING TYPE		LAMP TYPE/WATTAGE		VOLTAGE	
2 - 2'		G - Grid		28 - 28wT5 (46") 32 - 32wT8 (48") 54HO - 54wT5HO (46")		120 277 347 UNV - Universal voltage, 120-277 volt	
	FIXTURE FAMILY		NO. OF LAMPS		SHIELDING		OPTIONS
	AVD - Ariosso Mid-Depth Semi-Recessed		2 3		PMW - Perforated Metal with White Overlay		CM - Canadian Market 1/2 - One 2-lamp ballast (electronic or non-standard) 1/3 - One 3-lamp ballast (electronic or non-standard) 1/21 - 2-lamp & 1-lamp ballasts (electronic or non-standard) EB - Electronic ballast, <20% THD EB10I - Electronic ballast, instant start, <10% THD EB10R - Electronic ballast, program rapid start, <10% THD EBD - Electronic dimming ballast E1 - DEB-1 emerg. ballast, T8 lamps, 350-450 lumens E7 - DEB-7 emerg. ballast, T8 lamps, 600-700 lumens E5 - DEB-5 emerg. ballast, T8 lamps, 1100-1400 lumens E7LP - DEB-7LP emerg. ballast T5/T5HO, 430-700 lumens E6 - DEB-6LP emerg. ballast, T5/T5HO lamps, 750-1325 lumens F1 - Installed flex, 3/8" diameter, 18 gauge, 3 wire, 6' F2 - Installed flex, 3/8" diameter, 18 gauge, 4 wire, 6' GLR# - Fusing, fast blow (# = number of ballasts) LPT835 - Installed lamps, 80+ CRI, 3500K

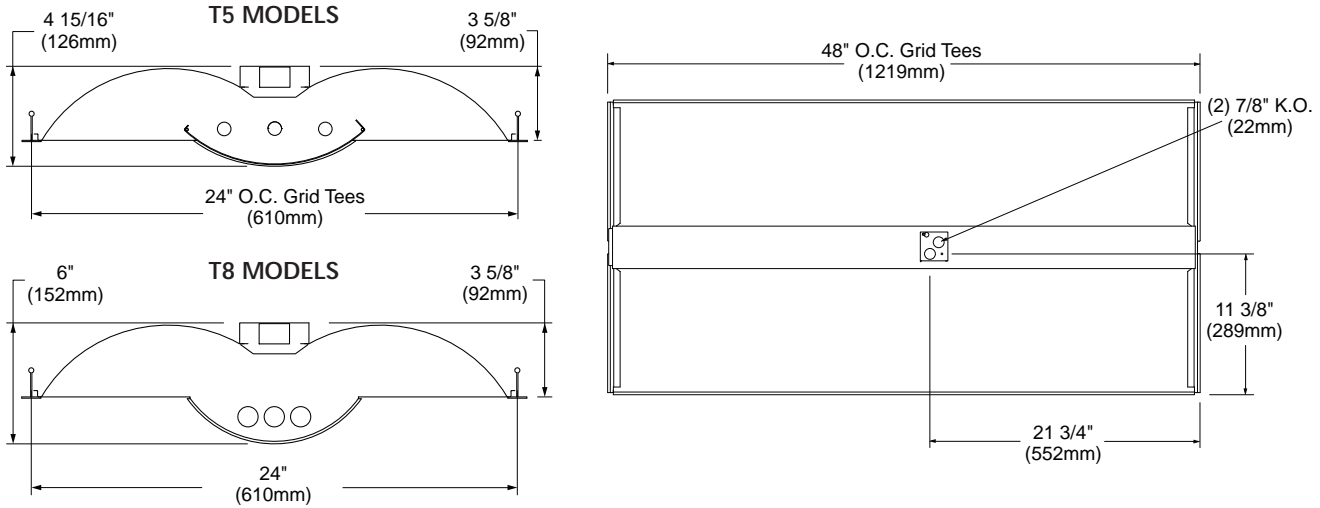
JOB INFORMATION

0409.1-AR

PHILIPS
Day-Brite

Arioso® MID-DEPTH SEMI-RECESSED 2' x 4'

DIMENSIONS



PHOTOMETRIC DATA

CATALOG # 2AVDG232-PMW-1/2-EB
 TEST #27893 S/MH= 1.3

LAMPS = F32T8 INPUT WATTS = 58
 BALLAST = ELECTRONIC BALLAST FACTOR = 0.88

LER = 62

COMPARATIVE YEARLY LIGHTING ENERGY COST PER 1000 LUMENS = \$3.87 BASED ON 3000 HRS. AND \$.08 PER KWH.

FIXTURE EFFICIENCY= 71.6%

CANDLEPOWER				
Angle	End	45	Cross	
0	1295	1295	1295	
5	1298	1290	1282	
10	1278	1275	1269	
15	1247	1249	1249	
20	1205	1214	1221	
25	1151	1171	1189	
30	1086	1118	1149	
35	1013	1058	1103	
40	927	992	1052	
45	834	921	996	
50	730	844	920	
55	627	764	845	
60	515	673	773	
65	405	581	694	
70	305	493	585	
75	209	387	403	
80	123	221	204	
85	49	82	122	

MAINTAINED ILLUMINATION TABLE- Square Feet/Fixture*

- 80-50-20 Reflectances (Ceiling-Wall-Floor)
- LLF = 0.75 2850 Lumens/Lamp very clean
- Room width divided by room height = 5 or more, 2 or 1

Fixture Size & # of Lamps	Room Width Room Height =	Approx. Area (sq. ft.) per Fixture				
		10 ft-c	30 ft-c	50 ft-c	70 ft-c	100 ft-c
2' X 4' 2 Lamp	5 2	-	105 70	63 42	45 -	32 -
T8	1	-	51	30	-	-

*Observe Fixture S/MH Requirements for Specific Applications

AVERAGE LUMINANCE CD/SQ.M WITH 2850 LUMEN LAMPS

ANGLE	END	45°	CROSS
45	1508	1578	1716
55	1369	1548	1725
65	1160	1495	1806
75	910	1424	1509
85	474	559	860

TYPICAL V.C.P.'s

Room Size	Mounting Height			
	Lengthwise	Crosswise	8.5	10
30x30	61	66	58	61
40x40	61	62	58	59
60x30	65	67	62	64
60x60	61	61	58	59
100x100	63	62	60	60

COEFFICIENT OF UTILIZATION

pfc	20				70				50			
	80	70	50	30	80	70	50	30	80	70	50	30
RCR	0	84	84	84	82	82	82	80	80	80	80	80
	1	77	73	69	75	71	68	68	66	66	66	66
	2	69	64	57	68	61	56	59	56	56	56	56
	3	63	55	48	61	54	48	52	46	46	46	46
	4	57	48	41	56	47	41	46	40	40	40	40
	5	53	42	36	51	42	35	40	35	35	35	35
	6	48	39	32	46	38	32	36	30	30	30	30
	7	45	34	28	44	34	28	34	28	28	28	28
	8	41	32	26	40	32	26	30	25	25	25	25
	9	39	28	23	38	28	23	28	23	23	23	23
	10	36	27	20	35	27	20	26	20	20	20	20

LIGHT DISTRIBUTION

DEGREES	LUMENS	% LAMP	% FIXTURE
0-30	1014	17.8	24.9
0-40	1676	29.4	41.1
0-60	3051	53.5	74.8
0-90	4080	71.6	100.0

LLF = .75 LLF = LIGHT LOSS FACTOR LLF = LDD X LLD X BF LDD = VERY CLEAN 0.94 CLEAN 0.90
 LLD = 0.91 @ 40% RATED LAMP LIFE BF = 0.88 ELECTRONIC BALLAST & T8 LAMP (RELAMP AT 70% LAMP LIFE)

PHOTOMETRIC DATA

CATALOG # 2AVDG332-PMW-1/3-EB
 TEST #27892 S/MH= 1.3

LAMPS = F32T8 INPUT WATTS = 84
 BALLAST = ELECTRONIC BALLAST FACTOR = 0.88

LER = 61

COMPARATIVE YEARLY LIGHTING ENERGY COST PER 1000 LUMENS = \$3.93 BASED ON 3000 HRS. AND \$.08 PER KWH.

FIXTURE EFFICIENCY= 67.6%

CANDLEPOWER				
Angle	End	45	Cross	
0	1848	1848	1848	
5	1850	1840	1832	
10	1821	1817	1813	
15	1778	1778	1784	
20	1716	1729	1746	
25	1638	1665	1698	
30	1543	1589	1639	
35	1433	1502	1574	
40	1311	1405	1500	
45	1169	1301	1419	
50	1025	1192	1314	
55	873	1078	1205	
60	712	951	1106	
65	556	820	996	
70	416	702	839	
75	285	554	574	
80	164	306	271	
85	62	109	162	

MAINTAINED ILLUMINATION TABLE- Square Feet/Fixture*

- 80-50-20 Reflectances (Ceiling-Wall-Floor)
- LLF = 0.75 2850 Lumens/Lamp very clean
- Room width divided by room height = 5 or more, 2 or 1

Fixture Size & # of Lamps	Room Width Room Height =	Approx. Area (sq. ft.) per Fixture				
		10 ft-c	30 ft-c	50 ft-c	70 ft-c	100 ft-c
2' X 4' 3 Lamp	5 2	-	149 99	89 59	64 42	45 -
T8	1	-	72	43	31	-

*Observe Fixture S/MH Requirements for Specific Applications

AVERAGE LUMINANCE CD/SQ.M WITH 2850 LUMEN LAMPS

ANGLE	END	45°	CROSS
45	2114	2229	2445
55	1906	2184	2461
65	1592	2111	2592
75	1240	2039	2149
85	600	744	1142

TYPICAL V.C.P.'s

Room Size	Mounting Height			
	Lengthwise	Crosswise	8.5	10
30x30	54	58	50	53
40x40	53	55	51	52
60x30	58	60	55	57
60x60	54	53	51	51
100x100	57	56	53	53

COEFFICIENT OF UTILIZATION

pfc	20				70				50			
	80	70	50	30	80	70	50	30	80	70	50	30
RCR	0	80	80	80	79	79	79	75	75	75	75	75
	1	72	68	66	70	68	65	65	63	63	63	63
	2	66	59	55	64	58	54	56	52	52	52	52
	3	59	52	46	57	51	46	48	45	45	45	45
	4	55	46	40	53	45	39	44	38	38	38	38
	5	50	40	34	48	40	34	39	34	34	34	34
	6	46	36	30	45	35	29	34	29	29	29	29
	7	42	33	27	41	33	27	32	27	27	27	27
	8	40	29	25	39	29	23	28	23	23	23	23
	9	36	28	22	35	27	22	27	22	22	22	22
	10	34	26	20	34	25	20	25	20	20	20	20

LIGHT DISTRIBUTION

DEGREES	LUMENS	% LAMP	% FIXTURE
0-30	1445	16.9	25.0
0-40	2385	27.9	41.3
0-60	4330	50.6	74.9
0-90	5777	67.6	100.0

LLF = .75 LLF = LIGHT LOSS FACTOR LLF = LDD X LLD X BF LDD = VERY CLEAN 0.94 CLEAN 0.90
 LLD = 0.91 @ 40% RATED LAMP LIFE BF = 0.88 ELECTRONIC BALLAST & T8 LAMP (RELAMP AT 70% LAMP LIFE)

0409.1-AR

DAY-BRITE LIGHTING • www.daybritelighting.com
 776 South Green Street • Tupelo, Mississippi 38804 • PH: (662) 842-7212 • FAX: (662) 841-5501

CANADIAN DIVISION
 189 Bullock Drive • Markham, Ontario L3P 1W4 • PH: (905) 294-9570 • FAX: (905) 294-9811

©JULY 2010 DAY-BRITE LIGHTING DAY-BRITE RESERVES THE RIGHT TO MAKE CHANGES WITHOUT NOTICE.

PHILIPS
Day-Brite