

**2, 3, or 4 Lamp  
T5, T5HO, or CF TT5  
Semi-Recessed Direct/Indirect**

**APPLICATION**

- Architectural recessed direct/indirect lighting for glare free illumination.
- Suitable for use in grid inverted T (NEMA "G") ceilings.
- For applications where plenum depth is limited.
- Suitable for row mounting.
- Style matched to Arioso surface.

**CONSTRUCTION/FINISH**

- No visible welding, screws, latches, springs, hooks, rivets or plastic supports.
- Soft white baked enamel finish.
- Easy ballast access through removable back reflector.
- Optional hold down clips available. (Order separately: cat # AVHD)

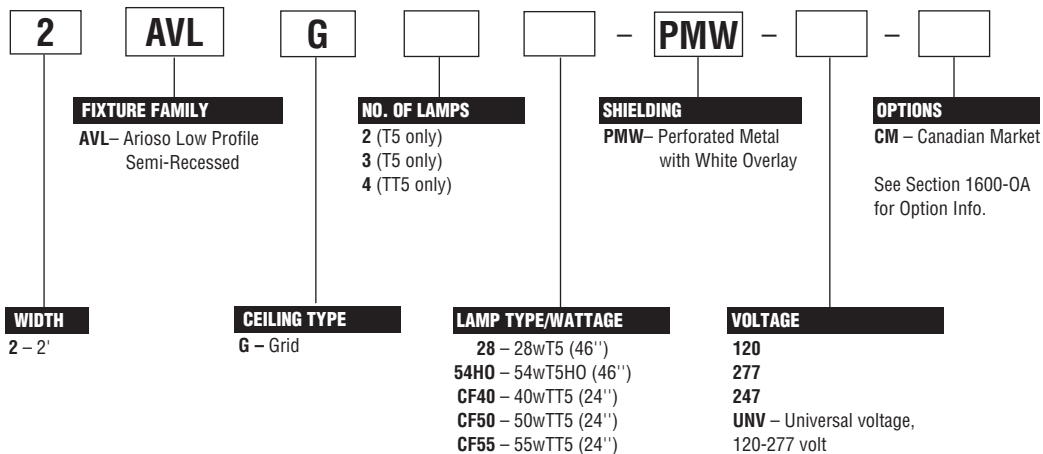
**ELECTRICAL**

- Class P, HPF ballasts comply with ©Federal Ballast Law (Public Law 100-357, 1988).
- UL listed for damp locations. C.S.A. certified optional.
- Self-contained fluorescent emergency power pack can be incorporated.

**ENCLOSURES**

- Micro-perforated mesh lamp shield provides soft awareness of light source.
- Swing down lamp shield for easy relamping.
- Soft white overlay on inside of micro-perforated mesh conceals lamp image and balances reflected and direct light.

**CATALOG NUMBER**

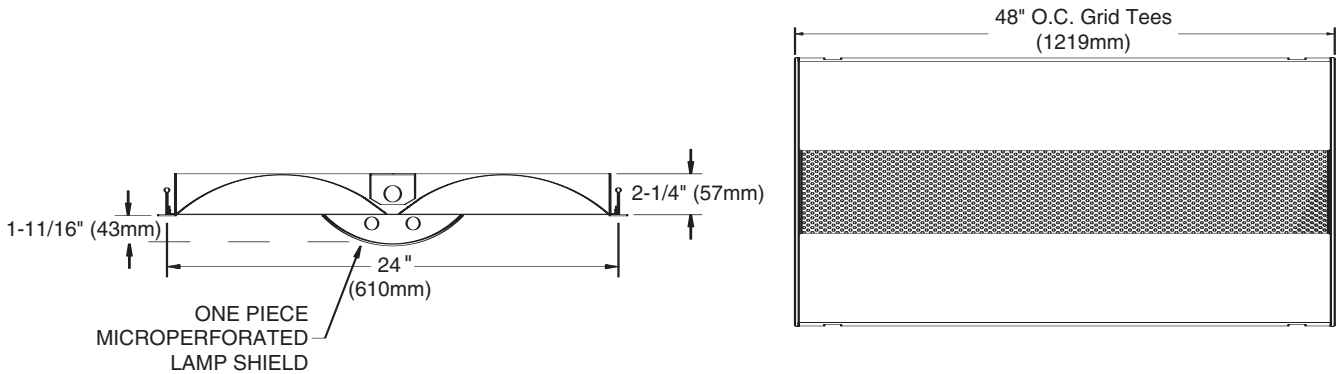


**NOTES:**

- With generic Electronic Ballasts (Brand selected by Day-Brite)  
Suffix Catalog # with - **Ballast Quantity** - / - **EB Lamps Per Ballast**.

**Example:** -1/2-EB = One 2 Lamp Electronic Ballast.

## DIMENSIONS



## PHOTOMETRIC DATA

CATALOG # 2AVLG254HO-PMW-1/2-EB  
TEST #F23873 S/MH= 1.3

LAMPS = F54T5HO INPUT WATTS = 105  
BALLAST = ELECTRONIC BALLAST FACTOR = 1.00

LER = 52

COMPARATIVE YEARLY LIGHTING ENERGY COST PER 1000 LUMENS = \$4.62 BASED ON 3000 HRS. AND \$.08 PER KWH.

FIXTURE EFFICIENCY= 61.6%

CANDLEPOWER			
Angle	End	45	Cross
0	1583	1583	1583
5	1583	1580	1565
10	1561	1563	1551
15	1521	1532	1529
20	1469	1491	1499
25	1402	1439	1462
30	1319	1378	1416
35	1226	1306	1366
40	1121	1228	1310
45	998	1146	1254
50	867	1058	1196
55	729	972	1134
60	583	885	1069
65	446	800	998
70	325	715	921
75	218	626	819
80	126	514	635
85	54	288	352

### MAINTAINED ILLUMINATION TABLE- Square Feet/Fixture\*

- 80-50-20 Reflectances (Ceiling-Wall-Floor)
- LLF = 0.89 4400 Lumens/Lamp very clean
- Room width divided by room height = 5 or more, 2 or 1

Fixture Size & # of Lamps	Room Width Room Height =	Approx. Area (sq. ft.) per Fixture			
		10 ft-c	30 ft-c	50 ft-c	70 ft-c
2' X 2'	5	-	-	97	70
2 Lamp	2	-	106	64	46
	1	-	77	46	33

\*Observe Fixture S/MH Requirements for Specific Applications

### AVERAGE LUMINANCE CD/SQ.M WITH 4400 LUMEN LAMPS

ANGLE	END	45°	CROSS
45	2002	2299	2516
55	1803	2404	2805
65	1497	2686	3350
75	1195	3432	4490
85	879	4688	5730

### TYPICAL V.C.P.'s

Room Size	Mounting Height	
	Lengthwise	Crosswise
	8.5	10
30x30	47	55
40x40	41	47
60x30	45	51
60x60	37	41
100x100	35	37

### COEFFICIENT OF UTILIZATION

pfc pcc pw RCR	20		70		50	
	70	50	30	70	50	30
0	72	72	72	71	71	68
1	66	61	58	64	60	57
2	58	53	47	56	52	47
3	53	46	40	52	45	40
4	48	40	34	46	40	34
5	45	35	29	42	34	29
6	40	32	27	40	32	26
7	38	28	23	36	28	23
8	34	27	20	34	26	20
9	33	23	19	32	23	19
10	30	23	17	29	22	17

### LIGHT DISTRIBUTION

DEGREES	LUMENS	% LAMP	% FIXTURE
0-30	1245	14.1	22.9
0-40	2059	23.4	38.0
0-60	3787	43.0	69.8
0-90	5424	61.6	100.0

LLF = .89 LLF = LIGHT LOSS FACTOR LLD = LDD X LLD X BF LDD = VERY CLEAN 0.94 CLEAN 0.90  
LLD = 0.95 @ 40% RATED LAMP LIFE BF = 1.00 ELECTRONIC BALLAST & F54T5HO LAMP (RELAMP AT 70% LAMP LIFE)