

1', 2', or 4'
2 or 4 Lamp
T5, T5HO, T8, or CF TT5
Wall/Ceiling

APPLICATION

- Architectural surface mounted luminaire for direct/indirect lighting for glare-free illumination.
- Can be wall or ceiling mounted.
- One-piece body for easy installation.
- Ideal for lighting corridors, hallways, or for adding architectural detail to bare walls.
- 4" deep, meets ADA when wall mounted.

CONSTRUCTION/FINISH

- No visible welding, screws, latches, springs, hooks, rivets or plastic supports.
- Soft white baked enamel finish.
- Easy ballast access through removable back reflector.
- Can be mounted to 4" octagonal junction box or surface mounted.

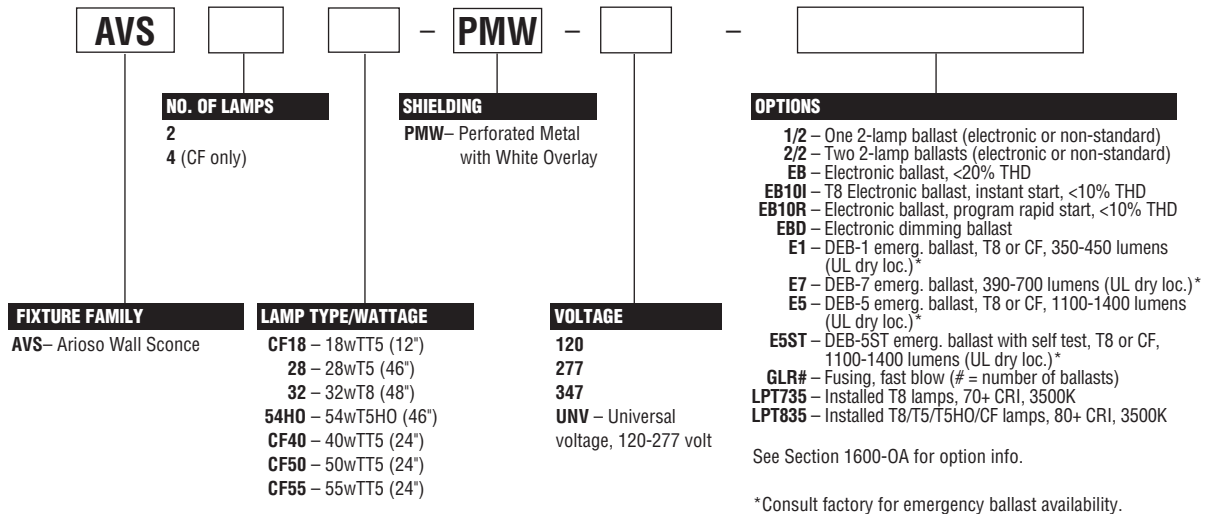
ELECTRICAL

- Not suitable for through wiring.
- Class P, HPF ballasts comply with ©Federal Ballast Law (Public Law 100-357,1988).
- UL listed for damp locations. C.S.A. certified optional.
- Self-contained fluorescent emergency power pack can be incorporated.

ENCLOSURES

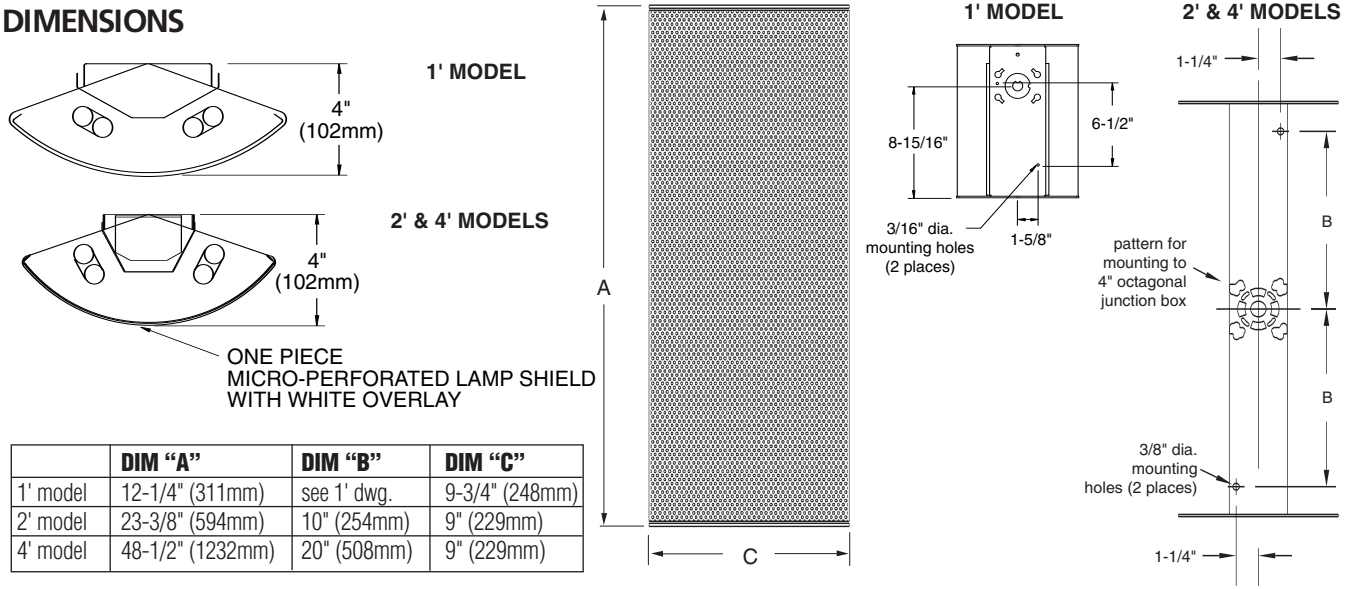
- Micro-perforated mesh lamp shield provides soft awareness of light source.
- Swing out lamp shield for easy relamping.
- Soft white overlay on inside of micro-perforated mesh conceals lamp image and balances reflected and direct light.

CATALOG NUMBER



Size	Lamps/ Cross Section	Lamps/ Luminaire	Lamp Type
1'	2	2	CF18
2'	2	2	CF40, CF50, CF55
4'	2	2	28, 32, 54HO
	2	4	CF40, CF50, CF55

DIMENSIONS



	DIM "A"	DIM "B"	DIM "C"
1' model	12-1/4" (311mm)	see 1' dwg.	9-3/4" (248mm)
2' model	23-3/8" (594mm)	10" (254mm)	9" (229mm)
4' model	48-1/2" (1232mm)	20" (508mm)	9" (229mm)

ONE PIECE MICRO-PERFORATED LAMP SHIELD WITH WHITE OVERLAY

PHOTOMETRIC DATA

CATALOG # AVS2CF40-PMW-1/2-EB
TEST #21342

LAMPS = 40wT5
BALLAST = ELECTRONIC

INPUT WATTS = 70
BALLAST FACTOR = .88

LER = 65

COMPARATIVE YEARLY LIGHTING ENERGY COST PER 1000 LUMENS = \$3.69 BASED ON 3000 HRS. AND \$.08 PER KWH.

FIXTURE EFFICIENCY = 81.5%

CANDLEPOWER			
Angle	End	45	Cross
0	323	323	323
5	299	280	270
15	289	179	178
25	262	188	219
35	221	205	277
45	170	227	344
55	116	247	411
65	64	268	471
75	18	286	514
85	3	296	538
95	0	290	535
105	18	290	525
115	59	282	495
125	98	265	443
135	141	246	381
145	179	219	308
155	210	200	243
165	236	185	197
175	252	157	185

AVERAGE LUMINANCE CD/SQ.M WITH 3150 LUMEN LAMPS			
ANGLE	END	45°	CROSS
45	2740	2474	2563
55	2057	2823	1898
65	1306	3189	1142
75	448	3537	324
85	100	3883	0

COEFFICIENT OF UTILIZATION						
pfc pcc pw RCR	20		70		50	
	70	50	30	70	50	30
0	88	88	88	81	81	81
1	76	70	66	69	65	60
2	68	59	53	61	55	48
3	60	51	44	56	46	40
4	55	45	36	50	40	34
5	51	40	32	46	35	28
6	46	34	28	41	32	27
7	42	32	23	39	28	22
8	40	28	20	35	26	20
9	36	26	19	34	23	17
10	34	23	17	30	22	16

LIGHT DISTRIBUTION			
DEGREES	LUMENS	% LAMP	% FIXTURE
0-30	320	5.1	6.2
0-40	575	9.1	11.2
0-60	1253	19.9	24.4
0-90	2675	42.5	52.1
90-180	2458	39.0	47.9
0-180	5134	81.5	100.0

PHOTOMETRIC DATA

CATALOG # AVS232-PMW-1/2-EB
TEST #23838

LAMPS = F32T8
BALLAST = ELECTRONIC

INPUT WATTS = 59
BALLAST FACTOR = .88

LER = 50

COMPARATIVE YEARLY LIGHTING ENERGY COST PER 1000 LUMENS = \$4.80 BASED ON 3000 HRS. AND \$.08 PER KWH.

FIXTURE EFFICIENCY = 59.1%

CANDLEPOWER			
Angle	End	45	Cross
0	126	126	126
5	126	131	131
15	121	141	165
25	107	150	209
35	89	158	269
45	71	176	337
55	51	190	396
65	32	203	447
75	20	212	480
85	12	212	489
95	13	206	480
105	28	185	448
115	34	163	409
125	46	147	353
135	62	133	282
145	78	125	214
155	89	119	169
165	99	111	131
175	105	103	100

AVERAGE LUMINANCE CD/SQ.M WITH 2850 LUMEN LAMPS			
ANGLE	END	45°	CROSS
45	1399	13266	1621
55	1501	18691	1436
65	1603	27240	1223
75	1683	44978	1248
85	1728	130603	2223

COEFFICIENT OF UTILIZATION						
pfc pcc pw RCR	20		70		50	
	70	50	30	70	50	30
0	64	64	64	58	58	51
1	55	51	46	51	46	39
2	48	42	38	45	39	33
3	44	35	30	40	33	28
4	39	32	26	35	28	23
5	35	28	22	33	25	20
6	33	23	19	29	22	19
7	29	22	16	28	20	17
8	28	20	14	26	17	14
9	26	17	13	23	16	11
10	23	16	11	22	14	11

LIGHT DISTRIBUTION			
DEGREES	LUMENS	% LAMP	% FIXTURE
0-30	139	2.4	4.1
0-40	280	4.9	8.3
0-60	770	13.5	22.9
0-90	1840	32.3	54.6
90-180	1529	26.8	45.4
0-180	3369	59.1	100.0

0465.1-AR

DAY-BRITE LIGHTING • www.daybritelighting.com
776 South Green Street • Tupelo, Mississippi 38804 • PH: (662) 842-7212 • FAX: (662) 841-5501
CANADIAN DIVISION
189 Bullock Drive • Markham, Ontario L3P 1W4 • PH: (905) 294-9570 • FAX: (905) 294-9811

©2007 DAY-BRITE LIGHTING
DB 07-07
DAY-BRITE RESERVES THE RIGHT TO
MAKE CHANGES WITHOUT NOTICE.

Day-Brite® Lighting
a Genlyte company