

4', 8', or 16'
1 or 2 Lamp

High Output T8(380mA) or T12(800mA)
or T12 V.H.O. (1500mA)

CONSTRUCTION/FINISH

- Fixtures suitable for unit, row, or suspension mounting.
- Multiple knockouts for convenient installation.
- Heavy duty industrial-type channel of code gauge die formed steel.
- Channel and cover include added forms for extra strength and rigidity.
- High reflectance white baked enamel finish.
- Quarter turn latch secures channel cover for easy wireway access.
- Standard end cap acts as coupler for continuous row mounting. Heavy Duty Coupler (cat. # **TC-2**) is available.
- See page 1119.1-S for available strip reflectors.

ELECTRICAL

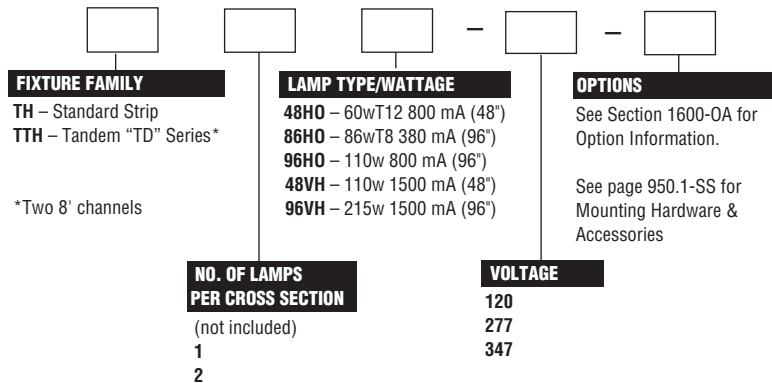
- UL listed for damp locations.
- Class P, HPF, CBM certified ballasts comply with Federal Ballast Law (Public Law 100-357,1988).
- Pressure lock lampholders secured by snap-in socket plates.
- Green grounding screw installed in channel.
- Lampholders may be individually replaced or rewired.

- **IMPORTANT!** High Output and Very High Output luminaires must be suspended a minimum of 1-1/2" from surface.
- Day-Brite's standard luminaires for high output T8 (380mA) and T12 (800mA) applications include ballasts rated for -20° F starting temperature.

ACCESSORIES

- **CS-400** rigid canopy
- **CS-500** swivel canopy
- **CEN-600** swivel canopy with leveler
- **CS Series Stems**
- **CTBH-5** T-bar sliding hanger
- **TC-2** heavy duty coupler
- **TH-5** sliding hanger
- **FKR-126** chain hanger set
- **CG-4** wireguard (4')

CATALOG NUMBER



NOTES:

- With generic Electronic Ballasts (Brand selected by Day-Brite)
Suffix Catalog # with- **Ballast Quantity** - / - **EB** **Lamps Per Ballast.**

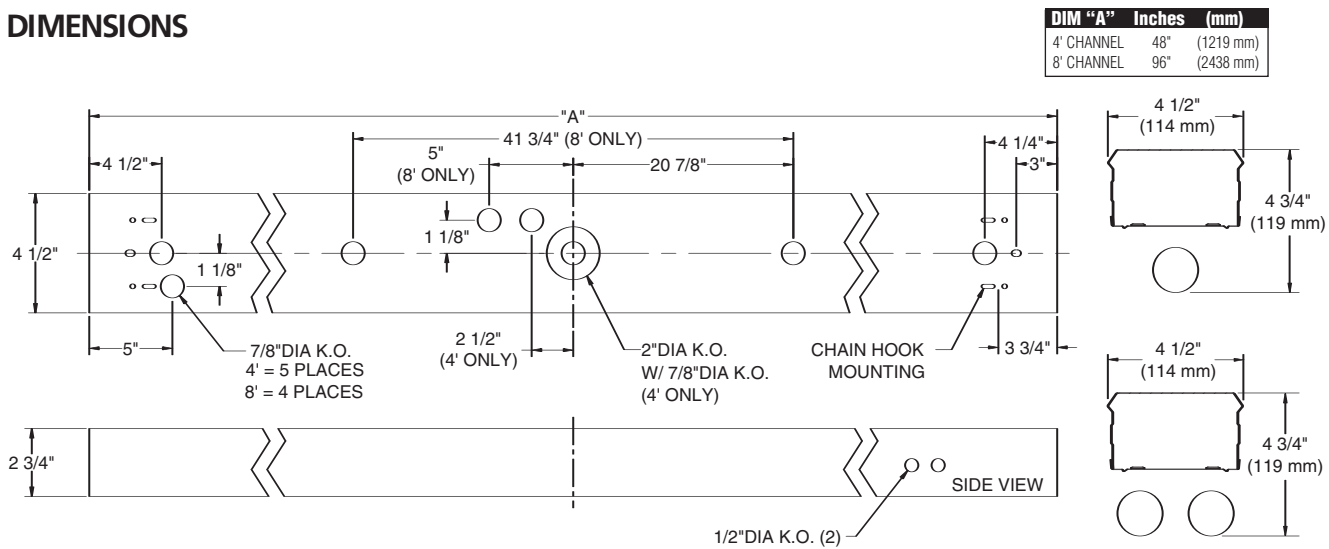
Example: -1/2-EB = One 2 Lamp Electronic Ballast.

Not all models available with Electronic Ballasts.

HIGH OUTPUT STRIP



DIMENSIONS



| DIM "A" | Inches | (mm) |
|------------|--------|-----------|
| 4' CHANNEL | 48" | (1219 mm) |
| 8' CHANNEL | 96" | (2438 mm) |

PHOTOMETRIC DATA

CATALOG # TH296HO
TEST #13956-1P

S/MH=1.6

LAMPS = F96T12HO
BALLAST = STANDARD

INPUT WATTS = 232
BALLAST FACTOR = .95

LER = FS-67

COMPARATIVE YEARLY LIGHTING ENERGY COST PER 1000 LUMENS = \$3.58 BASED ON 3000 HRS. AND \$.08 PER KWH.

FIXTURE EFFICIENCY = 92.4%

| CANDLEPOWER | | | | |
|-------------|------|------|-------|--|
| Angle | End | 45 | Cross | |
| 0 | 2952 | 2952 | 2952 | |
| 5 | 2932 | 2980 | 2965 | |
| 15 | 2816 | 3001 | 3071 | |
| 25 | 2593 | 2964 | 3138 | |
| 35 | 2273 | 2836 | 3125 | |
| 45 | 1868 | 2633 | 3031 | |
| 55 | 1406 | 2351 | 2928 | |
| 65 | 912 | 2080 | 2555 | |
| 75 | 439 | 1554 | 1984 | |
| 85 | 98 | 903 | 1333 | |
| 95 | 22 | 955 | 1376 | |
| 105 | 22 | 988 | 1580 | |
| 115 | 16 | 815 | 1363 | |
| 125 | 17 | 604 | 1133 | |
| 135 | 23 | 472 | 897 | |
| 145 | 25 | 335 | 635 | |
| 155 | 30 | 200 | 388 | |
| 165 | 37 | 78 | 169 | |
| 175 | 39 | 9 | 25 | |

MAINTAINED ILLUMINATION TABLE- Square Feet/Fixture*

- 50-50-20 Reflectances (Ceiling-Wall-Floor)
- LLF = 0.74 8900 Lumens/Lamp Medium Dirt
- Room width divided by room height = 5 or more, 2 or 1

| Fixture Size & # of Lamps | Room Width Room Height = | Approx. Area (sq. ft.) per Fixture | | | |
|------------------------------|-----------------------------|------------------------------------|---------|---------|---------|
| | | 10 ft-c | 30 ft-c | 50 ft-c | 70 ft-c |
| 8' 2-Lamp | 5 | - | 335 | 203 | 142 |
| | 2 | - | 218 | 132 | 92 |
| | 1 | - | 154 | 91 | 65 |

LIGHT LOSS FACTOR DATA

- LLF = 0.74
- LLF = Light Loss Factor
- LDD = Luminaire Dirt Depreciation
- IES Category I Clean Annually
- LLD = Lamp Lumen Depreciation
- BF = Ballast Factor (commercial ballast performance relative to reference ballast)
- LLF = LDD x LLD x BF
- LDD = Clean 0.94 Medium 0.89 Dirty 0.84
- LLD = 0.87 @ 40% Rated Lamp Life
- BF = 0.95 Relamp @ 70% Lamp Life

COEFFICIENT OF UTILIZATION

| pfc pcc pw | 20 | | | 70 | | | 50 | | |
|------------------|----|----|----|----|----|----|----|----|----|
| | 70 | 50 | 30 | 70 | 50 | 30 | 50 | 30 | |
| RCR | 1 | 94 | 89 | 84 | 89 | 84 | 80 | 76 | 73 |
| | 2 | 84 | 76 | 69 | 80 | 72 | 66 | 65 | 60 |
| | 3 | 76 | 66 | 58 | 72 | 63 | 56 | 57 | 51 |
| | 4 | 69 | 58 | 49 | 66 | 55 | 48 | 50 | 44 |
| | 5 | 63 | 51 | 42 | 59 | 48 | 40 | 44 | 37 |
| | 6 | 58 | 45 | 36 | 54 | 43 | 35 | 39 | 32 |
| | 7 | 53 | 40 | 32 | 50 | 38 | 31 | 35 | 28 |
| | 8 | 49 | 36 | 28 | 46 | 34 | 27 | 31 | 25 |
| | 9 | 45 | 32 | 24 | 42 | 31 | 23 | 28 | 22 |
| 10 | 42 | 29 | 22 | 39 | 28 | 21 | 25 | 19 | |

LIGHT DISTRIBUTION

| DEGREES | LUMENS | % LAMP | % FIXTURE |
|---------|--------|--------|-----------|
| 0-30 | 2475 | 13.9 | 15.0 |
| 0-40 | 4218 | 23.7 | 25.6 |
| 0-60 | 8246 | 46.3 | 50.1 |
| 0-90 | 12561 | 70.6 | 76.4 |
| 90-180 | 3890 | 21.9 | 23.6 |
| 0-180 | 16451 | 92.4 | 100.0 |

PHOTOMETRIC DATA

CATALOG # TH296HO-1/2-EB
TEST #10973

S/MH=1.6

LAMPS = F96T12HOES
BALLAST = ELECTRONIC

INPUT WATTS = 165
BALLAST FACTOR = 1.00

LER = FS-94

COMPARATIVE YEARLY LIGHTING ENERGY COST PER 1000 LUMENS = \$2.55 BASED ON 3000 HRS. AND \$.08 PER KWH.

FIXTURE EFFICIENCY = 97.1%

| CANDLEPOWER | | | | |
|-------------|------|------|-------|--|
| Angle | End | 45 | Cross | |
| 0 | 3029 | 3029 | 3029 | |
| 5 | 3035 | 3033 | 3029 | |
| 15 | 2932 | 3014 | 3091 | |
| 25 | 2724 | 2961 | 3152 | |
| 35 | 2423 | 2850 | 3148 | |
| 45 | 2039 | 2659 | 3054 | |
| 55 | 1553 | 2371 | 2804 | |
| 65 | 1042 | 1956 | 2379 | |
| 75 | 575 | 1453 | 1948 | |
| 85 | 205 | 1098 | 1488 | |
| 95 | 37 | 897 | 1342 | |
| 105 | 1 | 734 | 1186 | |
| 115 | 1 | 550 | 987 | |
| 125 | 1 | 414 | 739 | |
| 135 | 1 | 290 | 531 | |
| 145 | 1 | 169 | 347 | |
| 155 | 1 | 79 | 190 | |
| 165 | 1 | 29 | 52 | |
| 175 | 1 | 13 | 20 | |

MAINTAINED ILLUMINATION TABLE- Square Feet/Fixture*

- 80-50-20 Reflectances (Ceiling-Wall-Floor)
- LLF = 0.88 8000 Lumens/Lamp very clean
- Room width divided by room height = 5 or more, 2 or 1

| Fixture Size & # of Lamps | Room Width Room Height = | Approx. Area (sq. ft.) per Fixture | | | |
|------------------------------|-----------------------------|------------------------------------|---------|---------|---------|
| | | 10 ft-c | 30 ft-c | 50 ft-c | 70 ft-c |
| 1' X 4' 2 Lamp | 5 | - | - | - | 130 |
| | 2 | - | - | 120 | 84 |
| | 1 | - | - | 120 | 86 |

*Observe Fixture S/MH Requirements for Specific Applications

AVERAGE LUMINANCE CD/SQ.M WITH 2550 LUMEN LAMPS

| ANGLE | END | 45° | CROSS |
|-------|-------|-------|-------|
| 45 | 11569 | 11885 | 12633 |
| 55 | 10789 | 11918 | 12756 |
| 65 | 9714 | 11634 | 12441 |
| 75 | 8540 | 10991 | 12423 |
| 85 | 8088 | 11903 | 12650 |

LLF = .88 LLF = LIGHT LOSS FACTOR LLF = LDD X LLD X BF LDD = VERY CLEAN 0.94 CLEAN 0.90
LDD = 0.93 @ 40% RATED LAMP LIFE BF = 1.00 ELECTRONIC BALLAST T8 & T12 LAMP (RELAMP AT 70% LAMP LIFE)

COEFFICIENT OF UTILIZATION

| pfc pcc pw | 20 | | | 70 | | | 50 | | |
|------------------|----|-----|-----|-----|-----|-----|-----|----|----|
| | 70 | 50 | 30 | 70 | 50 | 30 | 50 | 30 | |
| RCR | 0 | 111 | 111 | 111 | 107 | 107 | 107 | 97 | 97 |
| | 1 | 98 | 93 | 88 | 93 | 89 | 83 | 81 | 78 |
| | 2 | 89 | 79 | 71 | 83 | 76 | 68 | 69 | 64 |
| | 3 | 80 | 68 | 59 | 76 | 66 | 57 | 59 | 54 |
| | 4 | 72 | 59 | 51 | 68 | 57 | 48 | 53 | 46 |
| | 5 | 67 | 53 | 44 | 63 | 51 | 41 | 46 | 40 |
| | 6 | 60 | 47 | 38 | 57 | 46 | 36 | 41 | 34 |
| | 7 | 56 | 42 | 34 | 54 | 40 | 33 | 38 | 30 |
| | 8 | 52 | 39 | 29 | 50 | 36 | 28 | 34 | 28 |
| | 9 | 48 | 34 | 27 | 46 | 34 | 26 | 32 | 25 |
| | 10 | 46 | 33 | 25 | 44 | 30 | 23 | 28 | 23 |

LIGHT DISTRIBUTION

| DEGREES | LUMENS | % LAMP | % FIXTURE |
|---------|--------|--------|-----------|
| 0-30 | 2502 | 15.6 | 16.1 |
| 0-40 | 4264 | 26.7 | 27.4 |
| 0-60 | 8315 | 52.0 | 53.5 |
| 0-90 | 12735 | 79.6 | 82.0 |
| 90-180 | 2802 | 17.5 | 18.0 |
| 0-180 | 15536 | 97.1 | 100.0 |

1106.1-S

DAY-BRITE LIGHTING • www.dcolighting.com
776 South Green Street • Tupelo, Mississippi 38804 • PH: (662) 842-7212 • FAX: (662) 841-5501
CANADIAN DIVISION
189 Bullock Drive • Markham, Ontario L3P 1W4 • PH: (905) 294-9570 • FAX: (905) 294-9811

©2006 DAY-BRITE LIGHTING
DB 9-06
DAY-BRITE RESERVES THE RIGHT TO
MAKE CHANGES WITHOUT NOTICE.

Day-Brite® Lighting
a Genlyte company