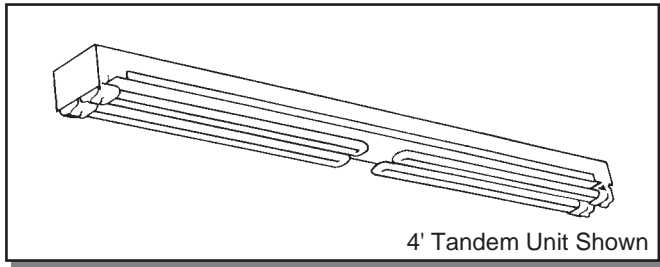


2' or 4'  
1 or 2 Lamp  
Twin Tube  
CF TT5



4' Tandem Unit Shown

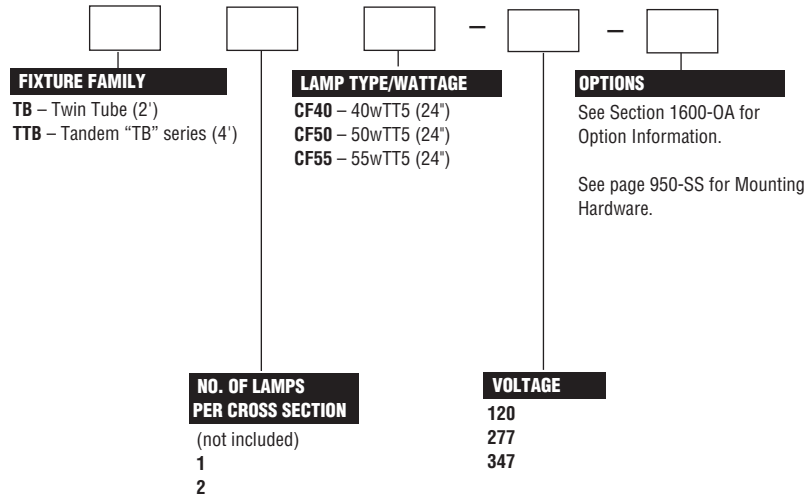
**CONSTRUCTION/FINISH**

- Fixtures suitable for unit, row, surface, or suspension mounting.
- Multiple knockouts for convenient installation.
- Heavy duty channel of code gauge die formed steel.
- High reflectance white baked enamel finish.
- Channel covers secured by plated quarter-turn latches allowing easy wireway access.
- See page 1119-S for strip reflectors.

**ELECTRICAL**

- UL listed for damp locations.
- Class P, HPF, CBM certified ballasts.
- Lampholders may be individually replaced or rewired.
- Lamps not included.

**CATALOG NUMBER**



**NOTES:**

- With generic Electronic Ballasts (Brand selected by Day-Brite)  
Suffix Catalog # with— **Ballast Quantity** — / — **-EB** **Lamps Per Ballast**.

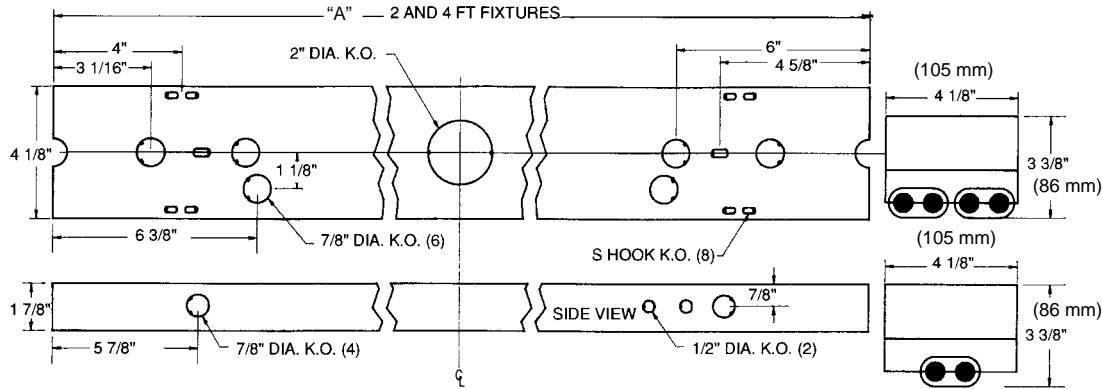
**Example:** -1/2-EB = One 2 Lamp Electronic Ballast.

# TWIN TUBE STRIP



## DIMENSIONS

DIM "A"	Inches	(mm)
2' CHANNEL	24"	(609 mm)
4' CHANNEL	48"	(1219 mm)



## PHOTOMETRIC DATA

CATALOG # TB2CF40  
TEST #14167

S/MH=1.5

LAMPS = 40wT5

BALLAST = ELECTRONIC

INPUT WATTS = 86

BALLAST FACTOR = .95

LER = FS-61

COMPARATIVE YEARLY LIGHTING ENERGY COST PER 1000 LUMENS = **\$3.93** BASED ON 3000 HRS. AND \$.08 PER KWH.

FIXTURE EFFICIENCY= 91.9%

CANDLEPOWER				
Angle	End	45	Cross	
0	1179	1179	1179	
5	1174	1179	1183	
15	1136	1166	1189	
25	1060	1132	1184	
35	950	1075	1179	
45	809	1007	1140	
55	638	912	1047	
65	445	776	908	
75	239	585	690	
85	58	327	444	
95	16	294	412	
105	17	257	486	
115	17	71	284	
125	17	18	60	
135	18	18	19	
145	18	18	19	
155	18	18	19	
165	18	19	20	
175	0	0	0	

## MAINTAINED ILLUMINATION TABLE- Square Feet/Fixture\*

- 50-50-20 Reflectances (Ceiling-Wall-Floor)
- LLF = 0.74 3000 Lumens/Lamp Medium Dirt
- Room width divided by room height = 5 or more, 2 or 1

Fixture Size & # of Lamps	Room Width Room Height =	Approx. Area (sq. ft.) per Fixture				
		10 ft-c	30 ft-c	50 ft-c	70 ft-c	100 ft-c
4'	5	360	119	72	50	36
2-Lamp	2	234	76	47	33	-
	1	162	54	32	-	-

## LIGHT LOSS FACTOR DATA

LLF = 0.74 HPF Ballast  
LLF = Light Loss Factor  
LDD = Luminaire Dirt Depreciation  
IES Category Clean Annually  
LLD = Lamp Lumen Depreciation  
BF = Ballast Factor (commercial ballast performance relative to reference ballast)

LLF = LDD X LLD X BF  
LDD = Clean 0.94 Medium 0.89  
LLD = 0.88 @ 40% Rated Lamp Life  
BF = 0.95  
Relamp @ 70% Lamp Life

## COEFFICIENT OF UTILIZATION

pfc pcc pw RCR	20				50			
	70	50	30	70	50	30	50	30
1	95	90	86	91	87	83	81	77
2	86	77	70	82	74	68	69	64
3	78	67	59	74	65	57	60	54
4	71	59	50	67	57	49	53	46
5	64	51	43	61	50	42	46	39
6	59	46	37	56	44	36	41	34
7	54	41	32	51	39	31	37	30
8	49	36	28	47	35	27	33	26
9	45	32	25	43	31	24	29	23
10	42	29	22	40	29	21	27	20

## LIGHT DISTRIBUTION

DEGREES	LUMENS	% LAMP	% FIXTURE
0-30	964.	16.1	17.5
0-40	1636.	27.3	29.7
0-60	3186.	53.1	57.8
0-90	4802.	80.0	87.1
90-180	714.	11.9	12.9
0-180	5516.	91.9	100.0

1111-S

DAY-BRITE LIGHTING  
776 South Green Street • Tupelo, Mississippi 38804 • PH: (662) 842-7212 • FAX: (662) 841-5501  
CANADIAN DIVISION  
189 Bullock Drive • Markham, Ontario L3P 1W4 • PH: (905) 294-9570 • FAX: (905) 294-9811

©2000 DAY-BRITE LIGHTING  
HOT 03-00-20M  
DAY-BRITE RESERVES THE RIGHT TO  
MAKE CHANGES WITHOUT NOTICE.

Day-Brite | Capri | Omega  
Genlyte Thomas Group