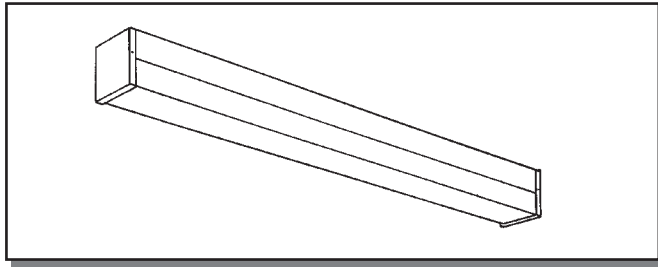


# 2', 3', OR 4' WALL BRACKETS



1 or 2 Lamp  
T8 or T12

Versatile wall or ceiling mount luminaire fits various applications and is both attractive and functional

## CONSTRUCTION/FINISH

- Choice of clear prismatic or smooth white opal lenses.
- Multiple knockouts provided.
- Suitable for individual or continuous row mounting.
- Housing is multi-stage phosphate treated for maximum corrosion resistance and finish coat is high reflectance baked white enamel.
- Steel end caps are fixed for added durability, and include K.O.s to facilitate row mounting.

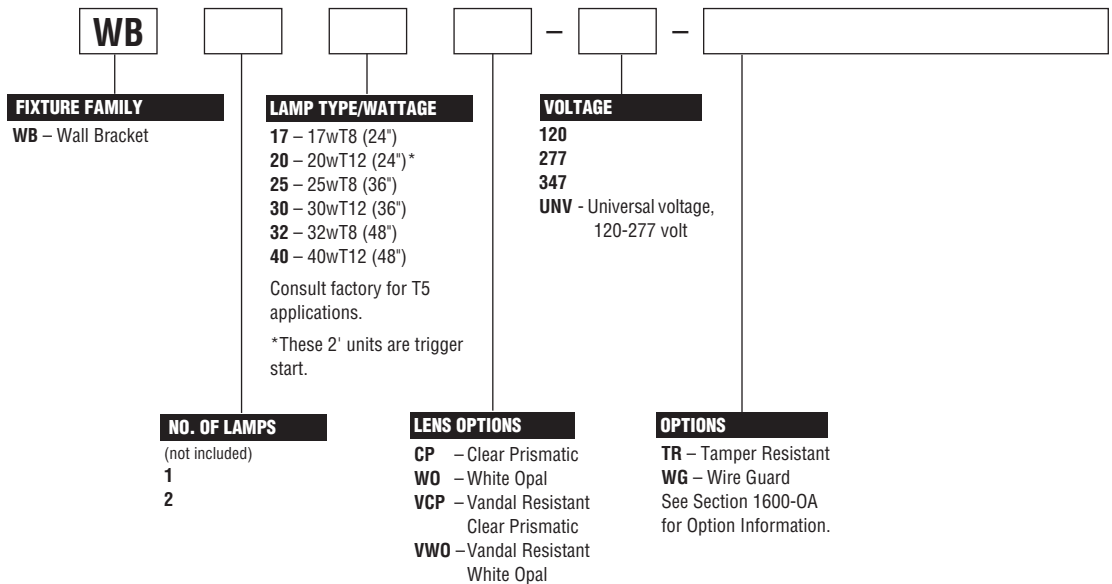
## ENCLOSURES

- Smooth white opal lens is .065" nominal thickness acrylic.
- Clear prismatic lens is .100" nominal thickness acrylic.
- Vandal resistant white opal lens is .125" nominal thickness high impact acrylic (100% DR).
- Vandal resistant clear prismatic lens is .125" nominal thickness high impact acrylic (50% DR).
- Tamper resistant (TR) option prevents the lens from being removed by unauthorized personnel. Tamper proof driver cat. #TPDTH required (sold separately).

## ELECTRICAL

- UL listed for direct mounting to ceiling or wall.
- UL listed for damp location.
- Class P, HPF, CBM certified ballasts comply with Federal Ballast Law (Public Law 100-357, 1988).
- Lampholders snap into socket plates and may be individually replaced or rewired.

## CATALOG NUMBER



## NOTES:

- With generic Electronic Ballasts (Brand selected by Day-Brite)  
Suffix Catalog # with- **Ballast Quantity** - / - **EB** **Lamps Per Ballast**.

**Example:** -1/1-EB = One 1 Lamp Electronic Ballast.

**Example:** -1/2-EB = One 2 Lamp Electronic Ballast.

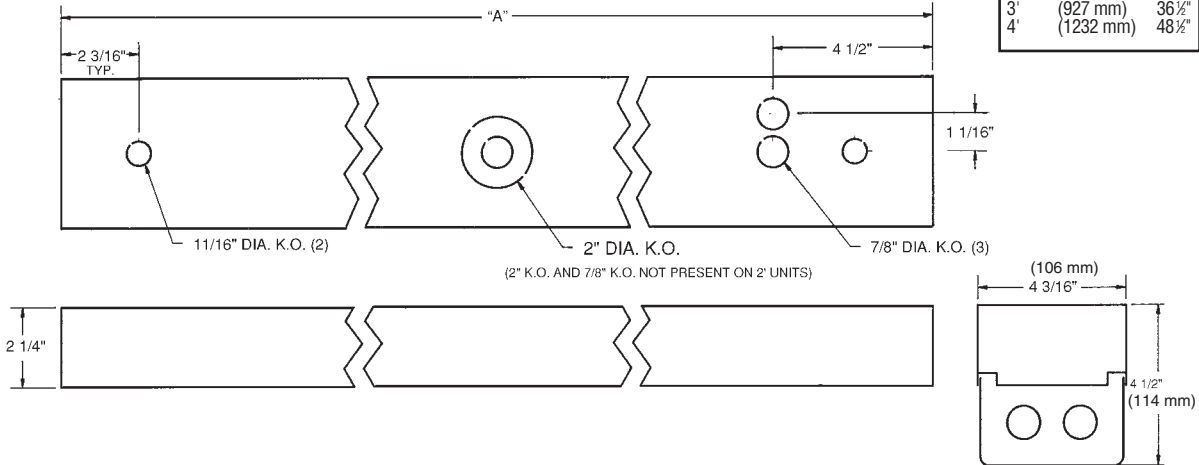
## JOB INFORMATION

1206.3-WU

**PHILIPS**  
**Day-Brite**

# WALL BRACKETS

## DIMENSIONS



## PHOTOMETRIC DATA

CATALOG # WB232-CP-1/2-EB  
TEST #28333 S/MH=1.2

LAMPS = F32T8  
BALLAST = ELECTRONIC

INPUT WATTS = 54  
BALLAST FACTOR = .88

LER = 77

COMPARATIVE YEARLY LIGHTING ENERGY COST PER 1000 LUMENS = \$3.12 BASED ON 3000 HRS. AND \$.08 PER KWH.

FIXTURE EFFICIENCY= 83.2%

| CANDLEPOWER |      |     |       |  |
|-------------|------|-----|-------|--|
| Angle       | End  | 45  | Cross |  |
| 0           | 575  | 575 | 575   |  |
| 5           | 639  | 620 | 574   |  |
| 15          | 731  | 697 | 558   |  |
| 25          | 759  | 719 | 517   |  |
| 35          | 793  | 684 | 449   |  |
| 45          | 881  | 641 | 341   |  |
| 55          | 979  | 642 | 214   |  |
| 65          | 1077 | 668 | 109   |  |
| 75          | 1149 | 724 | 47    |  |
| 85          | 1142 | 748 | 15    |  |
| 95          | 1153 | 750 | 8     |  |
| 105         | 1136 | 710 | 29    |  |
| 115         | 1059 | 610 | 72    |  |
| 125         | 964  | 545 | 155   |  |
| 135         | 841  | 530 | 260   |  |
| 145         | 729  | 564 | 348   |  |
| 155         | 686  | 583 | 403   |  |
| 165         | 644  | 553 | 437   |  |
| 175         | 530  | 469 | 453   |  |

### MAINTAINED ILLUMINATION TABLE- Square Feet/Fixture\*

- 80-50-20 Reflectances (Ceiling-Wall-Floor)
- LLF = 0.75 2850 Lumens/Lamp very clean
- Room width divided by room height = 5 or more, 2 or 1

| Fixture Size & # of Lamps | Room Width<br>Room Height = | Approx. Area (sq. ft.) per Fixture |         |         |         |          |
|---------------------------|-----------------------------|------------------------------------|---------|---------|---------|----------|
|                           |                             | 10 ft-c                            | 30 ft-c | 50 ft-c | 70 ft-c | 100 ft-c |
| 4'                        | 5                           | -                                  | 106     | 64      | 46      | 32       |
| 2-Lamp T8                 | 2                           | -                                  | 69      | 41      | -       | -        |
| Prism. Lens               | 1                           | 148                                | 49      | -       | -       | -        |

\*Observe Fixture S/MH Requirements for Specific Applications

$$.75LLF = .94LDD \times .91LLD \times .88BF$$

### COEFFICIENT OF UTILIZATION

| pfc<br>pcc<br>pw<br>RCR | 20 |    | 70 |    | 50 |    |
|-------------------------|----|----|----|----|----|----|
|                         | 70 | 50 | 30 | 70 | 50 | 30 |
| 0                       | 90 | 90 | 90 | 82 | 82 | 70 |
| 1                       | 79 | 73 | 69 | 72 | 68 | 65 |
| 2                       | 70 | 63 | 56 | 65 | 58 | 53 |
| 3                       | 64 | 55 | 47 | 58 | 51 | 44 |
| 4                       | 58 | 47 | 40 | 54 | 45 | 38 |
| 5                       | 54 | 42 | 34 | 48 | 40 | 33 |
| 6                       | 48 | 38 | 30 | 45 | 34 | 28 |
| 7                       | 46 | 34 | 27 | 41 | 32 | 25 |
| 8                       | 41 | 30 | 23 | 39 | 28 | 23 |
| 9                       | 39 | 28 | 22 | 35 | 26 | 20 |
| 10                      | 36 | 26 | 20 | 34 | 23 | 17 |

### LIGHT DISTRIBUTION

| DEGREES | LUMENS | % LAMP | % FIXTURE |
|---------|--------|--------|-----------|
| 0-30    | 482    | 8.5    | 10.2      |
| 0-40    | 795    | 13.9   | 16.8      |
| 0-60    | 1465   | 25.7   | 30.9      |
| 0-90    | 2561   | 44.9   | 54.0      |
| 90-180  | 2182   | 38.3   | 46.0      |
| 0-180   | 4743   | 83.2   | 100.0     |

## PHOTOMETRIC DATA

CATALOG # WB232-WO-1/2-EB  
TEST #28390 S/MH=1.2

LAMPS = F32T8  
BALLAST = ELECTRONIC

INPUT WATTS = 54  
BALLAST FACTOR = .88

LER = 58

COMPARATIVE YEARLY LIGHTING ENERGY COST PER 1000 LUMENS = \$4.14 BASED ON 3000 HRS. AND \$.08 PER KWH.

FIXTURE EFFICIENCY= 62.9%

| CANDLEPOWER |     |     |       |  |
|-------------|-----|-----|-------|--|
| Angle       | End | 45  | Cross |  |
| 0           | 334 | 334 | 334   |  |
| 5           | 360 | 346 | 333   |  |
| 15          | 444 | 394 | 320   |  |
| 25          | 527 | 434 | 295   |  |
| 35          | 601 | 465 | 261   |  |
| 45          | 660 | 484 | 219   |  |
| 55          | 700 | 485 | 167   |  |
| 65          | 723 | 477 | 115   |  |
| 75          | 724 | 457 | 63    |  |
| 85          | 705 | 426 | 14    |  |
| 95          | 714 | 439 | 11    |  |
| 105         | 739 | 447 | 46    |  |
| 115         | 739 | 429 | 99    |  |
| 125         | 719 | 439 | 153   |  |
| 135         | 674 | 442 | 203   |  |
| 145         | 614 | 431 | 248   |  |
| 155         | 537 | 402 | 282   |  |
| 165         | 450 | 364 | 304   |  |
| 175         | 362 | 322 | 316   |  |

### MAINTAINED ILLUMINATION TABLE- Square Feet/Fixture\*

- 80-50-20 Reflectances (Ceiling-Wall-Floor)
- LLF = 0.75 2850 Lumens/Lamp very clean
- Room width divided by room height = 5 or more, 2 or 1

| Fixture Size & # of Lamps | Room Width<br>Room Height = | Approx. Area (sq. ft.) per Fixture |         |         |         |          |
|---------------------------|-----------------------------|------------------------------------|---------|---------|---------|----------|
|                           |                             | 10 ft-c                            | 30 ft-c | 50 ft-c | 70 ft-c | 100 ft-c |
| 4'                        | 5                           | -                                  | 80      | 48      | 34      | -        |
| 2-Lamp T8                 | 2                           | -                                  | 52      | 31      | -       | -        |
| Opal Lens                 | 1                           | 110                                | 37      | -       | -       | -        |

\*Observe Fixture S/MH Requirements for Specific Applications

$$.75LLF = .94LDD \times .91LLD \times .88BF$$

### COEFFICIENT OF UTILIZATION

| pfc<br>pcc<br>pw<br>RCR | 20 |    | 70 |    | 50 |    |
|-------------------------|----|----|----|----|----|----|
|                         | 70 | 50 | 30 | 70 | 50 | 30 |
| 0                       | 68 | 68 | 68 | 63 | 63 | 53 |
| 1                       | 59 | 56 | 53 | 55 | 52 | 44 |
| 2                       | 54 | 47 | 42 | 48 | 44 | 36 |
| 3                       | 47 | 40 | 35 | 44 | 38 | 32 |
| 4                       | 44 | 35 | 30 | 40 | 33 | 28 |
| 5                       | 40 | 32 | 26 | 36 | 29 | 25 |
| 6                       | 36 | 28 | 23 | 34 | 26 | 22 |
| 7                       | 34 | 26 | 20 | 30 | 23 | 19 |
| 8                       | 30 | 23 | 17 | 28 | 20 | 17 |
| 9                       | 28 | 20 | 16 | 27 | 19 | 14 |
| 10                      | 27 | 19 | 14 | 25 | 17 | 13 |

### LIGHT DISTRIBUTION

| DEGREES | LUMENS | % LAMP | % FIXTURE |
|---------|--------|--------|-----------|
| 0-30    | 300    | 5.3    | 8.4       |
| 0-40    | 524    | 9.2    | 14.6      |
| 0-60    | 1082   | 19.0   | 30.2      |
| 0-90    | 1884   | 33.0   | 52.5      |
| 90-180  | 1701   | 29.8   | 47.5      |
| 0-180   | 3585   | 62.9   | 100.0     |

1206.3-WU

DAY-BRITE LIGHTING • www.daybritelighting.com  
776 South Green Street • Tupelo, Mississippi 38804 • PH: (662) 842-7212 • FAX: (662) 841-5501  
CANADIAN DIVISION  
189 Bullock Drive • Markham, Ontario L3P 1W4 • PH: (905) 294-9570 • FAX: (905) 294-9811  
©NOVEMBER 2009 DAY-BRITE LIGHTING DAY-BRITE RESERVES THE RIGHT TO MAKE CHANGES WITHOUT NOTICE.

PHILIPS  
Day-Brite