

**1, 2, 3, or 4 Lamp
T5 or T5HO**

CONSTRUCTION/FINISH

- Specifically designed around T5/T5HO sources to provide a much smaller cross-section than products designed for T8/T12 sources.
- Cross-sectional area of 1/2/3 lamp models is up to 75% smaller than T8/T12 products.
- 4 lamp cross-section models are slightly wider than 1/2/3 lamp models.
- Choice of reflectors for application flexibility - 25% uplight, 10% uplight or solid top.
- Painted after fabrication with high reflectance white powder coat finish.
- Reflectors are retained by thumbscrews for installation or removal without tools.
- 25% uplight models include a center "V" in the reflector for added shielding.
- Optional baffle provides additional shielding in both directions.

ELECTRICAL

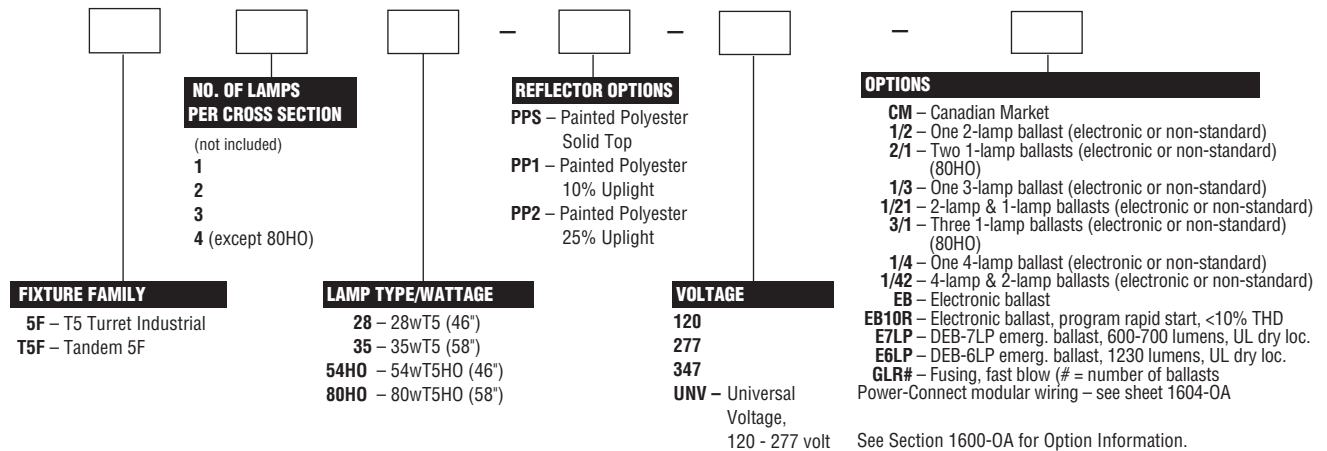
- Spring loaded lampholders provide positive lamp engagement and electrical contact.
- 4' and tandem 8' models utilize F28T5 or F54T5HO lamps.
- 5' and tandem 10' models utilize F35T5 or F80T5HO lamps.
- 80HO models provide more lumens per unit length than equivalent 54HO models.
- UL listed for damp locations. Units with emergency ballasts UL listed for dry locations.

ACCESSORIES

- **E4-HKK** – Sliding hanger bracket with 7/8" hole (one)
- **E4-HKS** – Sliding hanger bracket with 1/4" x 1" slot (one)

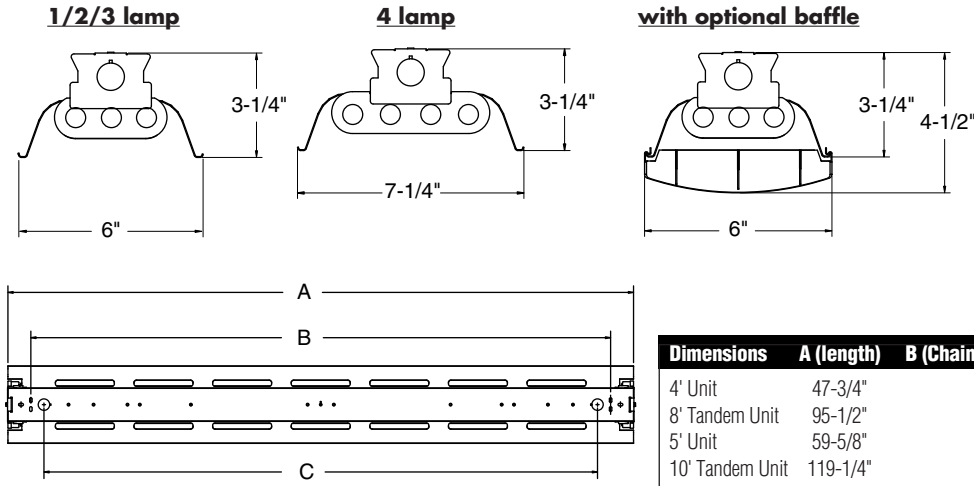
- **FL-123** – 5' chain (w/S-hooks) set
- **CS-400** – Rigid stem canopy
- **CS-500** – Swivel stem canopy
- **CS series stems**
- **N-3380/3381** – Universal joint aligner, octagonal box, 1/2" / 3/4" I.P.S.
- **N-3385** – Universal joint aligner, square box, 1/2" I.P.S.
- **ACH series aircraft cable hangers**
- **5F-IJ** – Heavy duty in-line coupler
- **5F-WG-4** – Wire guard, 4' (use 2 for 8'), 1/2/3 lamp x-section
- **5F-WG-4-4L** – Wire guard, 4' (use 2 for 8'), 4 lamp x-section
- **5F-WG-5** – Wire guard, 5' (use 2 for 10'), 1/2/3 lamp x-section
- **5F-WG-5-4L** – Wire guard, 5' (use 2 for 10'), 4 lamp x-section
- **5F-BFP1-4** – Baffle for PPS or PP1 reflector, 4' (use 2 for 8'), 1/2/3 lamp x-section
- **5F-BFP1-4-4L** – Baffle for PPS or PP1 reflector 4' (use 2 for 8'), 4 lamp x-section
- **5F-BFP1-5** – Baffle for PPS or PP1 reflector, 5' (use 2 for 10'), 1/2/3 lamp x-section
- **5F-BFP1-5-4L** – Baffle for PPS or PP1 reflector, 5' (use 2 for 10'), 4 lamp x-section
- **5F-BFP2-4** – Baffle for PP2 reflector, 4' (use 2 for 8'), 1/2/3 lamp x-section
- **5F-BFP2-5** – Baffle for PP2 reflector, 5' (use 2 for 10'), 1/2/3 lamp x-section
- **5F-DEK** – reflector end caps (for use with baffles), 1/2/3 lamp x-section, pair
- **5F-DEK-4L** – reflector end caps (for use with baffles), 4 lamp x-section, pair

CATALOG NUMBER

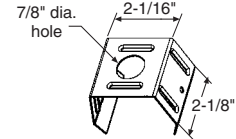


See Section 1600-OA for Option Information.
See Page 1455.3-IF for Mounting Hardware.

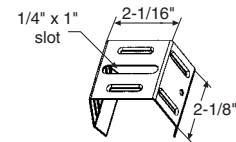
DIMENSIONS



E4-HKK mounting bracket



E4-HKS mounting bracket



Dimensions	A (length)	B (Chain/"S" hook locations)	C (7/8" KO locations)
4' Unit	47-3/4"	44-1/4"	42-1/4"
8' Tandem Unit	95-1/2"	92"	90"
5' Unit	59-5/8"	56-1/8"	54-5/8"
10' Tandem Unit	119-1/4"	115-3/4"	114-1/4"

PHOTOMETRIC DATA

CATALOG # 5F254HO-PP1-1/2-EB
TEST # 25369 S/MH=1.5

LAMPS = F54T5HO
BALLAST = ELECTRONIC

INPUT WATTS = 121
BALLAST FACTOR = 1.00

LER = 69

COMPARATIVE YEARLY LIGHTING ENERGY COST PER 1000 LUMENS = \$3.48 BASED ON 3000 HRS. AND \$.08 PER KWH.

FIXTURE EFFICIENCY= 94.9%

CANDLEPOWER				
Angle	End	45	Cross	
0	2176	2176	2176	
5	2161	2185	2165	
15	2091	2143	2151	
25	1958	2072	2140	
35	1765	1971	2092	
45	1524	1820	1852	
55	1223	1485	1365	
65	879	967	935	
75	493	559	396	
85	139	108	104	
95	10	116	125	
105	25	136	238	
115	35	184	162	
125	42	295	278	
135	49	333	382	
145	54	287	387	
155	61	208	295	
165	65	138	189	
175	66	83	89	

MAINTAINED ILLUMINATION TABLE- Square Feet/Fixture*

- 80-50-20 Reflectances (Ceiling-Wall-Floor)
- LLF = 0.89 4400 Lumens/Lamp (very clean)
- Room width divided by room height = 5 or more, 2 or 1

Fixture Size & # of Lamps	Room Width Room Height =	Approx. Area (sq. ft.) per Fixture				
		10 ft-c	30 ft-c	50 ft-c	70 ft-c	100 ft-c
4'	5	-	-	150	107	75
2-Lamp T5HO	2	-	-	100	71	50
	1	-	120	72	51	36

*Observe Fixture S/MH Requirements for Specific Applications

AVERAGE LUMINANCE CD/SQ.M WITH 4400 LUMEN LAMPS				
ANGLE	END	45°	CROSS	
45	12787	15271	15539	
55	12651	15361	14119	
65	12340	13575	13126	
75	11301	12814	9078	
85	9462	7352	7080	

LLF = .89 LLF = LIGHT LOSS FACTOR LLF = LDD X LLD X BF LDD = VERY CLEAN 0.94 CLEAN 0.90 LLD = 0.95 @ 40% RATED LAMP LIFE BF = 1.00 ELECTRONIC BALLAST & T5 LAMP (RELAMP AT 70% LAMP LIFE)

COEFFICIENT OF UTILIZATION

pfc	20				70				50			
	80	50	30	70	50	30	50	30	50	30	50	30
RCR	0	110	110	110	106	106	106	97	97	97	97	97
	1	100	94	91	95	92	88	85	82	82	82	82
	2	91	82	76	86	80	73	73	69	69	69	69
	3	81	71	64	79	69	63	65	58	58	58	58
	4	75	64	55	71	61	54	57	51	51	51	51
	5	68	56	47	66	55	46	51	44	44	44	44
	6	63	51	41	60	48	40	46	39	39	39	39
	7	58	46	36	56	44	36	41	34	34	34	34
	8	54	41	33	52	40	33	38	30	30	30	30
	9	51	38	29	48	36	29	34	28	28	28	28
	10	46	34	27	46	34	27	32	26	26	26	26

LIGHT DISTRIBUTION

DEGREES	LUMENS	% LAMP	% FIXTURE
0-30	1762	20.0	21.1
0-40	2981	33.9	35.7
0-60	5560	63.2	66.6
0-90	7208	81.9	86.3
90-180	1146	13.0	13.0
0-180	8353	94.9	100.0

PHOTOMETRIC DATA

CATALOG # 5F254HO-PP2-1/2-EB
TEST # 25370 S/MH=1.3

LAMPS = F54T5HO
BALLAST = ELECTRONIC

INPUT WATTS = 121
BALLAST FACTOR = 1.00

LER = 67

COMPARATIVE YEARLY LIGHTING ENERGY COST PER 1000 LUMENS = \$3.58 BASED ON 3000 HRS. AND \$.08 PER KWH.

FIXTURE EFFICIENCY= 92.0%

CANDLEPOWER				
Angle	End	45	Cross	
0	2163	2163	2163	
5	2138	2167	2150	
15	2075	2107	2111	
25	1946	2010	2034	
35	1758	1858	1842	
45	1516	1558	1349	
55	1233	1054	814	
65	893	573	480	
75	515	307	336	
85	140	232	310	
95	10	312	412	
105	20	404	532	
115	32	403	556	
125	44	384	513	
135	53	343	466	
145	57	278	381	
155	63	198	281	
165	64	129	179	
175	68	82	82	

MAINTAINED ILLUMINATION TABLE- Square Feet/Fixture*

- 80-50-20 Reflectances (Ceiling-Wall-Floor)
- LLF = 0.75 2850 Lumens/Lamp (very clean)
- Room width divided by room height = 5 or more, 2 or 1

Fixture Size & # of Lamps	Room Width Room Height =	Approx. Area (sq. ft.) per Fixture				
		10 ft-c	30 ft-c	50 ft-c	70 ft-c	100 ft-c
4'	5	-	-	142	102	71
2-Lamp T5HO	2	-	-	97	69	48
	1	-	117	70	50	35

*Observe Fixture S/MH Requirements for Specific Applications

AVERAGE LUMINANCE CD/SQ.M WITH 4400 LUMEN LAMPS				
ANGLE	END	45°	CROSS	
45	12720	13073	11319	
55	12754	10902	8420	
65	12537	8044	6739	
75	11806	7038	7702	
85	9530	15793	21103	

LLF = .89 LLF = LIGHT LOSS FACTOR LLF = LDD X LLD X BF LDD = VERY CLEAN 0.94 CLEAN 0.90 LLD = 0.95 @ 40% RATED LAMP LIFE BF = 1.00 ELECTRONIC BALLAST & T5 LAMP (RELAMP AT 70% LAMP LIFE)

COEFFICIENT OF UTILIZATION

pfc	20				70				50			
	80	50	30	70	50	30	50	30	50	30	50	30
RCR	0	105	105	105	100	100	100	91	91	91	91	91
	1	94	91	86	90	86	82	79	76	76	76	76
	2	86	79	72	81	76	69	68	65	65	65	65
	3	79	69	61	75	67	59	60	56	56	56	56
	4	71	61	54	68	58	52	54	47	47	47	47
	5	66	55	46	63	53	46	48	41	41	41	41
	6	60	50	41	57	47	40	44	38	38	38	38
	7	56	45	36	54	42	35	40	34	34	34	34
	8	53	40	33	50	39	32	35	29	29	29	29
	9	48	36	29	46	35	28	33	27	27	27	27
	10	46	34	27	44	33	27	30	25	25	25	25

LIGHT DISTRIBUTION

DEGREES	LUMENS	% LAMP	% FIXTURE
0-30	1720	19.5	21.2
0-40	2858	32.5	35.3
0-60	4951	56.3	61.1
0-90	6244	70.9	77.1
90-180	1855	21.1	22.9
0-180	8099	92.0	100.0

CONSULT FACTORY FOR DATA ON OTHER PHOTOMETRIC COMBINATIONS

1401.1-IF

DAY-BRITE LIGHTING • www.daybritelighting.com
776 South Green Street • Tupelo, Mississippi 38804 • PH: (662) 842-7212 • FAX: (662) 841-5501
CANADIAN DIVISION
189 Bullock Drive • Markham, Ontario L3P 1W4 • PH: (905) 294-9570 • FAX: (905) 294-9811

©2007 DAY-BRITE LIGHTING
DB 12-07
DAY-BRITE RESERVES THE RIGHT TO
MAKE CHANGES WITHOUT NOTICE.

Day-Brite® Lighting
a Genlyte company