

**1 or 2 Lamp
High Output T8(380mA) or T12(800mA)**

**The ultimate in industrial fluorescent
fixture efficiency**

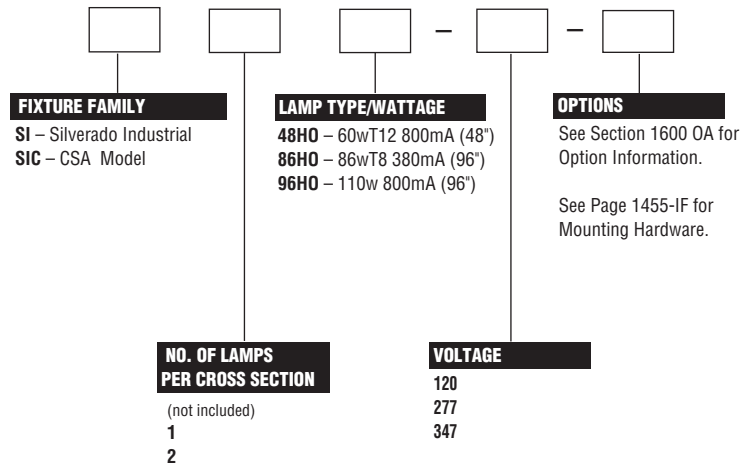
CONSTRUCTION/FINISH

- Specular Silverado™ reflectors with 95% reflective surface increases task visibility directly below fixtures.
- Multiple knockouts for convenient installation.
- Heavy duty channel of code gauge die formed steel with baked white enamel.
- Silverado™ reflectors feature specular silver laminate on aluminum substrate. Removable clear protective film standard on all fixtures. Top reflector surface painted in Dove Gray finish.
- Suitable for unit or row, direct or suspension mounting.

ELECTRICAL

- UL listed for damp location. C.S.A. certified optional.
- Class P, HPF, CBM certified ballasts comply with ©Federal Ballast Law (Public Law 100-357,1988).
- Spring-loaded turret lampholders provide positive lamp engagement and electrical contact.
- **IMPORTANT! High Output Fixtures must be suspended** with a minimum 1-1/2" clearance to ceiling.
- Day-Brite's standard fixtures for high output T8 (380mA) and T12 (800mA) include ballasts rated for -20° F starting temperature.

CATALOG NUMBER



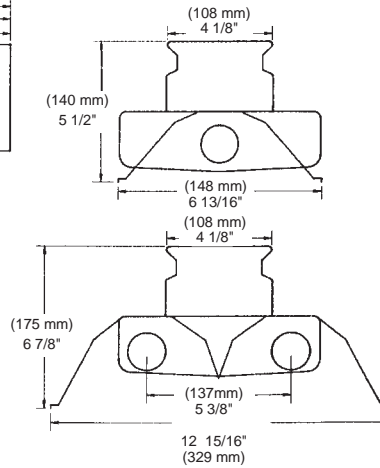
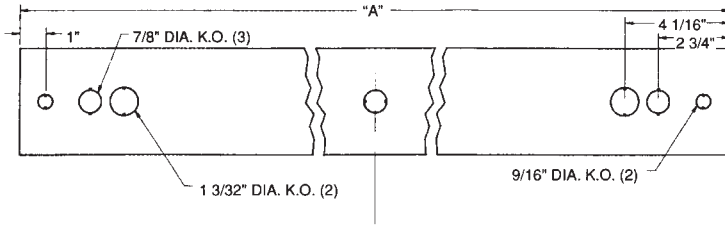
NOTES:

- With generic Electronic Ballasts (Brand selected by Day-Brite)
Suffix Catalog # with **Ballast Quantity - / -EB Lamps Per Ballast.**

Example: -1/2-EB = One 2 Lamp Electronic Ballast.

DIMENSIONS

DIM "A"	
4' CHANNEL (1227 mm)	48 5/16"
8' CHANNEL (2446 mm)	96 5/16"



PHOTOMETRIC DATA

CATALOG # SI 296 HO
TEST # 42183 S/MH=1.2

LAMPS = F96 HO ES
BALLAST = ESB MAGNETIC

INPUT WATTS = 199
BALLAST FACTOR = .88

LER = FI-62

COMPARATIVE YEARLY LIGHTING ENERGY COST PER 1000 LUMENS = \$3.87 BASED ON 3000 HRS. AND \$.08 PER KWH.

FIXTURE EFFICIENCY= 87.4%

CANDLEPOWER				
Angle	End	45	Cross	
0	6475	6475	6475	
5	6470	6510	6636	
10	6397	6492	6520	
15	6245	6271	6065	
20	6036	5833	5717	
25	5782	5453	5392	
30	5464	5084	5008	
35	5109	4726	4313	
40	4690	4266	3380	
45	4226	3546	2620	
50	3749	2685	2012	
55	3213	1990	1353	
60	2670	1415	796	
65	2091	814	427	
70	1513	387	188	
75	970	141	14	
80	499	4	0	
85	152	0	0	

MAINTAINED ILLUMINATION TABLE- Square Feet/Fixture*

- 80-50-20 Reflectances (Ceiling-Wall-Floor)
- LLF = 0.73 8000 Lumens/Lamp (very clean)
- Room width divided by room height = 5 or more, 2 or 1

Fixture Size & # of Lamps	Room Width Room Height =	Approx. Area (sq. ft.) per Fixture				
		10 ft-c	30 ft-c	50 ft-c	70 ft-c	100 ft-c
8' 2-Lamp	5	-	-	-	-	109
	2	-	-	-	111	78
	1	-	-	116	83	58

*Observe Fixture S/MH Requirements for Specific Applications

AVERAGE LUMINANCE CD/SQ.M WITH 8000 LUMEN LAMPS

ANGLE	END	45°	CROSS
45	7884	6615	4888
55	7389	4577	3112
65	6527	2541	1333
75	4944	719	71
85	2301	0	0

TYPICAL V.C.P.'s

Room Size	Mounting Height		Crosswise	
	Lengthwise	Crosswise	8.5	10
30x30	50	47	74	73
40x40	53	50	75	73
60x30	53	52	77	74
60x60	53	50	77	75
100x100	55	53	80	77

COEFFICIENT OF UTILIZATION

pfc pcc pw	20		70		50	
	70	50	30	70	50	30
RCR						
0	104	104	104	102	102	96
1	96	93	90	94	92	88
2	89	82	78	86	81	77
3	81	73	68	80	72	69
4	76	67	59	73	66	63
5	69	59	53	68	58	56
6	65	55	46	64	54	52
7	60	50	42	58	48	47
8	56	46	39	55	45	44
9	53	41	34	52	41	40
10	50	39	32	48	39	38

LIGHT DISTRIBUTION

DEGREES	LUMENS	% LAMP	% FIXTURE
0-30	4938	30.9	35.3
0-40	7887	49.3	56.4
0-60	12545	78.4	89.7
0-90	13990	87.4	100.0

LLF = .73 LLF = LIGHT LOSS FACTOR LLF = LDD X LLD X BF LDD = VERY CLEAN 0.94

LLD = 0.88 @ 40% RATED LAMP LIFE BF = 0.88 ESB BALLAST & F96 T12 HO LAMP (RELAMP AT 70% LAMP LIFE)

PHOTOMETRIC DATA

CATALOG # SI 296 HO-1/2-EB
TEST # 42185 S/MH=1.1

LAMPS = F96 HO ES
BALLAST = ELECTRONIC

INPUT WATTS = 169
BALLAST FACTOR = .84

LER = FI-72

COMPARATIVE YEARLY LIGHTING ENERGY COST PER 1000 LUMENS = \$3.33 BASED ON 3000 HRS. AND \$.08 PER KWH.

FIXTURE EFFICIENCY= 91.0%

CANDLEPOWER				
Angle	End	45	Cross	
0	6777	6777	6777	
5	6769	6820	6951	
10	6682	6813	6840	
15	6540	6592	6343	
20	6319	6106	5933	
25	6051	5676	5586	
30	5736	5278	5191	
35	5365	4903	4450	
40	4939	4394	3479	
45	4465	3653	2722	
50	3968	2769	2067	
55	3408	2063	1389	
60	2848	1448	797	
65	2241	840	418	
70	1633	387	181	
75	1034	142	16	
80	521	4	0	
85	150	0	0	

MAINTAINED ILLUMINATION TABLE- Square Feet/Fixture*

- 80-50-20 Reflectances (Ceiling-Wall-Floor)
- LLF = 0.69 8000 Lumens/Lamp (very clean)
- Room width divided by room height = 5 or more, 2 or 1

Fixture Size & # of Lamps	Room Width Room Height =	Approx. Area (sq. ft.) per Fixture				
		10 ft-c	30 ft-c	50 ft-c	70 ft-c	100 ft-c
8' 2-Lamp	5	-	-	-	-	108
	2	-	-	-	110	77
	1	-	-	116	83	58

*Observe Fixture S/MH Requirements for Specific Applications

AVERAGE LUMINANCE CD/SQ.M WITH 8000 LUMEN LAMPS

ANGLE	END	45°	CROSS
45	8330	6815	5078
55	7838	4745	3194
65	6995	2622	1305
75	5270	724	82
85	2270	0	0

TYPICAL V.C.P.'s

Room Size	Mounting Height		Crosswise	
	Lengthwise	Crosswise	8.5	10
30x30	49	45	74	73
40x40	51	49	75	73
60x30	52	51	77	74
60x60	52	49	77	74
100x100	54	52	80	77

COEFFICIENT OF UTILIZATION

pfc pcc pw	20		70		50	
	70	50	30	70	50	30
RCR						
0	108	108	108	106	106	101
1	101	96	93	97	94	91
2	93	86	81	91	84	80
3	85	77	70	83	76	72
4	79	68	61	77	68	66
5	72	63	55	70	61	59
6	68	56	48	66	56	55
7	63	52	45	61	51	44
8	58	47	40	57	46	40
9	55	44	36	54	42	35
10	52	40	34	51	40	34

LIGHT DISTRIBUTION

DEGREES	LUMENS	% LAMP	% FIXTURE
0-30	5166	32.3	35.5
0-40	8231	51.4	56.5
0-60	13060	81.6	89.7
0-90	14555	91.0	100.0

LLF = .69 LLF = LIGHT LOSS FACTOR LLF = LDD X LLD X BF LDD = VERY CLEAN 0.94

LLD = 0.88 @ 40% RATED LAMP LIFE BF = 0.84 ELECTRONIC BALLAST & F96 T12 HO LAMP (RELAMP AT 70% LAMP LIFE)