

**1, 2, 3, or 4 Lamp
T12-20w or F40 U6"
PL3 Plastic Louver**

These fixtures meet the requirements of IESNA RP-1 for use in spaces containing Video Display Terminals.

CONSTRUCTION/FINISH

- Premium quality recessed air handling troffer for use in:
 - Grid inverted T (NEMA "G") ceilings.
 - Flange-type ceilings with concealed mechanical suspension (NEMA "F").
 - Modular and "Z" spline (NEMA "M/Z") ceilings.
 - Contact Day-Brite for other ceiling types.
- Housing is multi-stage phosphate treated for maximum corrosion resistance and finish coat is high reflectance baked white enamel.
- Three lamp and two lamp U6 models are supplied with one wireway cover (except when required by ballast configuration.) Two ballast covers (2WC) are available.
- Models utilizing 3 ballasts (including emergency ballast) will be supplied with a top mounted ballast box, which will increase the height of the luminaire.
- Troffer body constructed of die-formed CR steel.
- Factory installed access plate includes 7/8" hole, 7/8" knockout and grounding screw.
- T-bar grid clips (UL listed, patented) built into fixture, no extra parts required. Designed for use with standard grid ceiling members, 1-1/2" maximum height.
- Low profile body minimizes clearance required.
- One-piece housing features integral end plates that increase rigidity and minimize damage from handling or shipping.
- All units have wire hanger tabs for independent wire suspension.

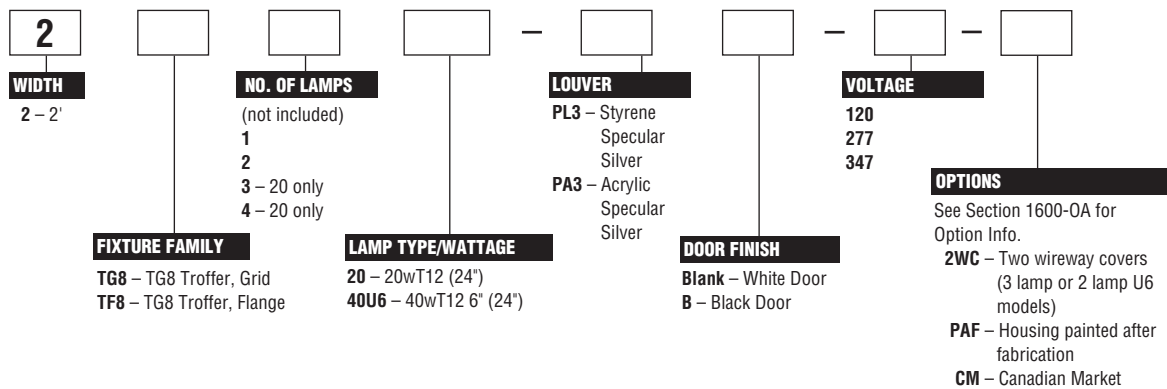
ELECTRICAL

- Class P, HPF ballasts comply with ©Federal Ballast Law (Public Law 100-357,1988).
- UL listed, suitable for damp locations. Canadian certified optional.
- Self-contained fluorescent emergency power packs can be incorporated, UL listed for dry locations.
- No exposed internal wiring.

ENCLOSURES

- Flat steel door frame features mitered corners and can be hinged from either side.
- Mechanically designed interlocks eliminate light leaks.
- Louver is Specular Silver Polystyrene high efficiency Para-lite 3 (3/4" x 3/4" x 1/2") with durabolic finish which assures durability and ease of cleaning.
- 35° Shielding.
- White (standard) or black (optional) door frames available.
- Shipped in plastic film to keep out construction dirt.
- T-hinges are standard for secure support of the enclosure.
- Guide-post spring loaded latches are standard for ease of use and secure retention of the enclosure.

CATALOG NUMBER



NOTES:

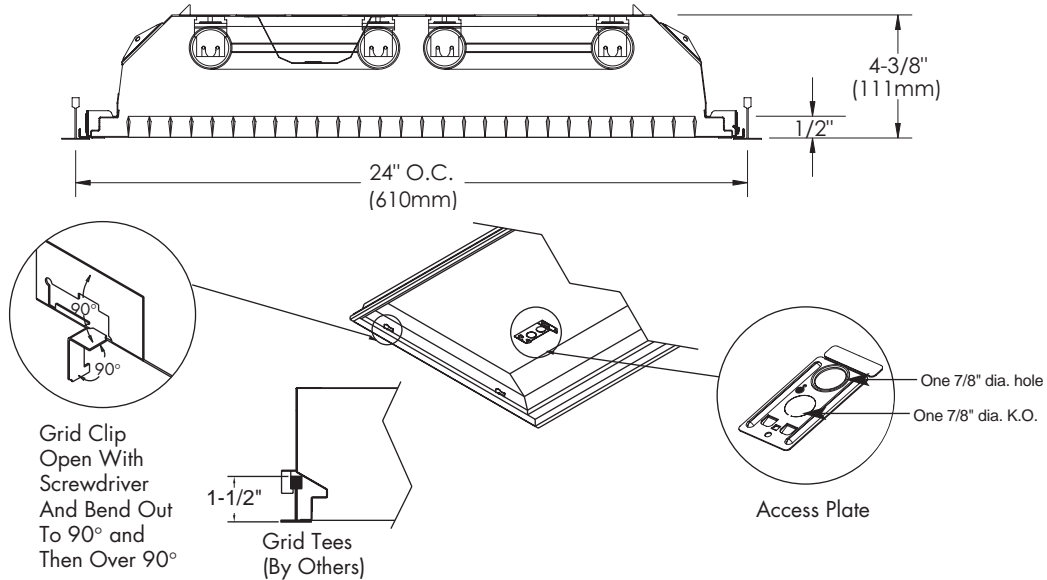
- With generic Electronic Ballasts (Brand selected by Day-Brite)
Suffix Catalog # with – **Ballast Quantity** – / – **EB** **Lamps Per Ballast.**

Example: –1/2-EB = One 2 Lamp Electronic Ballast.

Example: –1/3-EB = One 3 Lamp Electronic Ballast.

Example: –1/21-EB = One 2 Lamp Electronic Ballast and One 1 Lamp Electronic Ballast.

DIMENSIONS



PHOTOMETRIC DATA

CATALOG # 2TG8240U6-PL3
TEST # 22695 S/MH=1.3

LAMPS = F40U6
BALLAST = ESB

INPUT WATTS = 72
BALLAST FACTOR = .88

LER = FP-32

COMPARATIVE YEARLY LIGHTING ENERGY COST PER 1000 LUMENS = \$7.50 BASED ON 3000 HRS. AND \$.08 PER KWH.

FIXTURE EFFICIENCY = 55.2%

CANDLEPOWER				
Angle	End	45	Cross	
0	1199	1199	1199	
5	1192	1190	1194	
10	1168	1171	1183	
15	1134	1148	1179	
20	1080	1111	1137	
25	1022	1060	1090	
30	951	989	1048	
35	875	915	962	
40	795	833	882	
45	704	730	780	
50	601	623	684	
55	506	491	453	
60	351	320	352	
65	37	51	9	
70	2	3	1	
75	1	1	1	
80	1	2	1	
85	1	2	1	

MAINTAINED ILLUMINATION TABLE - Square Feet/Fixture*

- 80-50-20 Reflectances (Ceiling-Wall-Floor)
- LLF = 0.75 2350 Lumens/Lamp very clean
- Room width divided by room height = 5 or more, 2 or 1

Fixture Size & # of Lamps	Room Width Room Height =	Approx. Area (sq. ft.) per Fixture				
		10 ft-c	30 ft-c	50 ft-c	70 ft-c	100 ft-c
2-Lamp F40U6	5	-	70	42	30	-
	2	-	51	31	-	-
	1	114	38	-	-	-

*Observe Fixture S/MH Requirements for Specific Applications

AVERAGE LUMINANCE CD/SQ.M WITH 2350 LUMEN LAMPS

ANGLE	END	45°	CROSS
45	3225	3344	3573
55	2858	2773	2558
65	284	391	69
75	13	13	13
85	37	74	37

TYPICAL V.C.P.'s Room Mounting Height Size Lengthwise Crosswise

Room Size	Mounting Height			
	8.5	10	8.5	10
30x30	94	89	94	90
40x40	96	93	96	94
60x30	96	93	96	94
60x60	97	95	97	96
100x100	99	97	99	98

COEFFICIENT OF UTILIZATION

pfc pcc pw	20						70						50					
	70	50	30	70	50	30	70	50	30	70	50	30	70	50	30			
RCR	0	66	66	66	64	64	64	60	60	60	60	60	60	60	60			
	1	61	59	57	59	57	56	56	55	55	55	55	55	55	55			
	2	56	53	50	56	52	50	51	47	47	47	47	47	47	47			
RCR	3	53	47	44	52	46	44	46	42	42	42	42	42	42	42			
	4	48	42	39	47	41	39	40	38	38	38	38	38	38	38			
	5	45	39	34	44	38	34	36	34	34	34	34	34	34	34			
RCR	6	41	34	30	40	34	30	34	29	29	29	29	29	29	29			
	7	39	32	28	38	32	28	30	27	27	27	27	27	27	27			
	8	35	28	25	34	28	25	28	25	25	25	25	25	25	25			
RCR	9	34	27	23	33	27	23	26	22	22	22	22	22	22	22			
	10	32	25	20	30	25	20	23	20	20	20	20	20	20	20			

LIGHT DISTRIBUTION

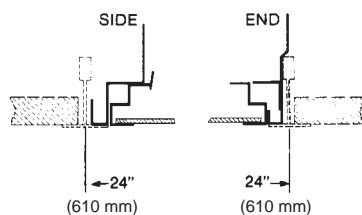
DEGREES	LUMENS	% LAMP	% FIXTURE
0-30	923	19.6	35.6
0-40	1497	31.9	57.7
0-60	2502	53.2	96.5
0-90	2594	55.2	100.0

LLF = .75 LLF = LIGHT LOSS FACTOR LLF = LDD X LLD X BF LDD = VERY CLEAN 0.94 CLEAN 0.90
LLD = 0.91 @ 40% RATED LAMP LIFE BF = 0.88 ESB BALLAST & T12 LAMP (RELAMP AT 70% LAMP LIFE)

2 T G 8 2 40U6

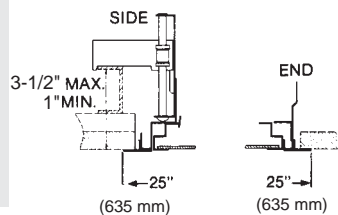
CEILING TYPE

G = GRID (NEMA G)



(NEMA Type G)
Lay-in acoustical ceilings using exposed grid suspension, with tees for fixtures on 24" x 24" spacing.

F = FLANGE (NEMA F)



(NEMA Type F)
Flange for acoustical ceilings using concealed mechanical suspension. Swing-jack mounting brackets: adjustment 3 1/2" max. and 1" min. Refer to sheet 801-CL for cut-out information.