

Industrial Fluorescent

2F

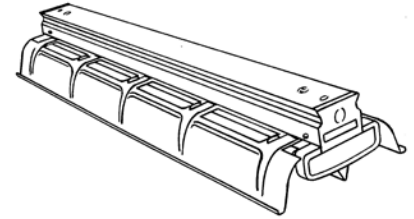
2 Lamp 1500 mA V.H.O.
25% Uplight

construction/finish

- Reflectors provide 25% uplight. Solid tops are optional.
- Multiple knockouts for convenient installation.
- Heavy duty channel of code gauge die formed steel,
- Reflectors have stiffening ribs for rigidity and provide 30° crosswise shielding.
- Twist-lock reflector thumb screws.
- Continuous rows utilize a simple concealed coupling, FL-3 (optional).

electrical

- UL listed for damp locations. C.S.A. certified optional.
- Spring-loaded turret lampholders provide positive lamp engagement and electrical contact.



Specifier's Reference

Project
Type
Model No.
Comments

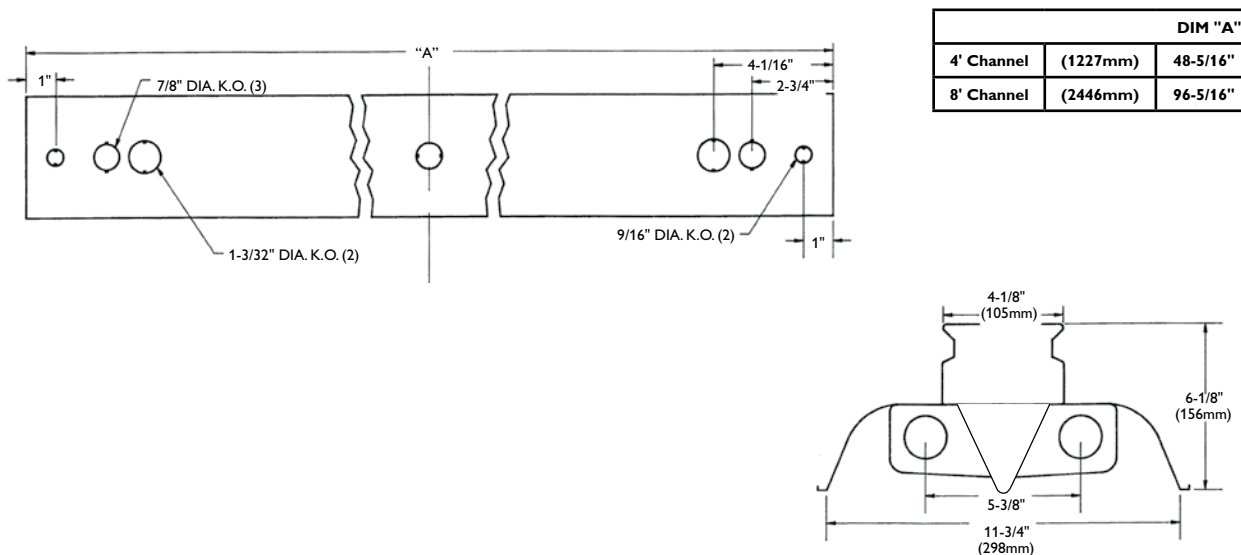
Green Choice: 2F296VH-PP-277

Family	No. of Lamps/Cross Section (not included)	Lamp Type/Wattage	Reflector Options	Voltage	Options
2F – Industrial (25% uplight) 2FC – CSA Model	2	48VH – 110W 1500 mA (48") 96VH – 215W 1500 mA (96")	PP – Painted Polyester PPS – Painted Polyester solid top	120 277 347	E7 – DEB-7 emerg. ballast, 600-700 lumens E5 – DEB-5 emerg. ballast, 1100-1400 lumens ESST – DEB-5ST emerg. ballast w/self test, 1100-1400 lumens GLR# – Fusing, fast blow (# = number of ballasts)

Accessories

- 5988W/5977W – Hydee hangers (4' models only)
- CS-400 – Rigid stem canopy
- CS-500 – Swivel stem canopy
- CS series stems
- FL-111 – Sliding hanger, conduit/stem/screw
- FL-116 – Sliding hanger, chain suspension
- FL-117 – Hook, chain
- FL-118 – Sliding hanger, messenger cable
- FL-119 – Hook, messenger cable
- FL-123 – 5' chain (w/S-hooks) set
- FL-153/154/155 – 4' steel baffle (use 2 for 8')
- FL-161A/162A/163A – 4' prismatic diffusers (use 2 for 8')
- FL-173 – 4' wire guard (use 2 for 8')
- FL-3 – Channel coupling
- FL-5 – Reflector end cap (pair)
- N-3380/3381 – Universal joint aligner, octagonal box, 1/2" / 3/4" I.P.S.
- N-3385 – Universal joint aligner, square box, 1/2" I.P.S.

dimensions



photometry

2F 8' 2 Lamp F96T12VHO

Efficiency – 87.3%

LER – 49

TER – 28

Catalog No.	2F296VH-PP
Test No.	42368
S/MH	1.4
Lamp Type	F96T12VHO
Lumens/Lamp	13500
Ballast Factor	0.95
Input Watts	455

Candlepower

Angle	End	45	Cross
0	6228	6228	6228
5	6216	6196	6283
15	6022	6075	6203
25	5599	5774	5914
35	5022	5274	5599
45	4271	4727	4754
55	3400	3715	2991
65	2387	1971	1254
75	1355	667	610
85	342	248	282
95	74	205	257
105	391	338	394
115	797	578	556
125	1213	865	818
135	1592	1184	1095
145	1912	1317	1395
155	2173	1468	1467
165	2344	1943	1773
175	2424	2365	2359

Light Distribution

Degrees	Lumens	% Lamp	% Luminaire
0-30	4971	18.4	21.1
0-40	8290	30.7	35.2
0-60	14935	55.3	63.4
0-90	18194	67.4	77.2
90-180	5381	19.9	22.8
0-180	23575	87.3	100.0

Average Luminance

Angle	End	45°	Cross
45	7626	8440	8489
55	7484	8178	6584
65	7131	5888	3746
75	6610	3254	2976
85	4954	3593	4085

Comparative yearly lighting energy cost per 1000 lumens – \$4.90 based on 3000 hrs. and \$.08 pwr KWH.

The photometric results were obtained in the Philips Day-Brite laboratory which is NVLAP accredited by the National Institute of Standards and Technology.

Coefficients of Utilization

EFFECTIVE FLOOR CAVITY REFLECTANCE 20 PER (pfc=0.20)

pcc	80			70			50		
	70	50	30	70	50	30	50	30	
pw									
RCR									
0	98	98	98	94	94	94	85	85	
1	91	86	82	85	82	80	76	72	
2	82	76	69	79	72	68	66	61	
3	75	67	59	71	64	57	58	54	
4	68	58	52	66	56	50	52	46	
5	63	53	45	59	51	44	46	40	
6	57	46	40	56	45	39	41	35	
7	54	42	34	51	40	34	38	32	
8	50	39	32	47	36	30	34	28	
9	46	35	28	45	34	28	32	26	
10	44	33	26	41	32	25	28	23	



©2012 Philips Day-Brite
All rights reserved.

776 South Green Street • Tupelo, MS 38804
p. 800.234.1890 • f. 662.841.5501 • www.daybrite.com
Canadian Division
189 Bullock Drive • Markham, Ontario L3P 1W4
p. 905.294.9570 • f. 905.294.9811

Contact Factory for Additional Configurations.
Specifications are subject to change without notice.
Consult website for latest version of this spec sheet.

Some luminaires use fluorescent or high intensity discharge (HID) lamps that contain small amounts of mercury. Such lamps are labeled, "Contain Mercury" and/or the symbol "HG". Lamps that contain mercury must be disposed of in accordance with local requirements. Information regarding lamp recycling and disposal can be found at www.lamprecycle.org

