

These fixtures meet the requirements of IESNA RP-1 for use in spaces containing Video Display Terminals.

CONSTRUCTION/FINISH

- A quality low-profile troffer with specification features for NEMA "G" grid, NEMA "NFG" narrow face grid, NEMA "GR" grid regressed, NEMA "NFSG" narrow faced slot grid, or NEMA "F" flange ceiling types.
- Designed around T8 lamps.
- 3" nominal housing depth, 3-3/16" maximum depth.
- Smooth rolled edges on all four sides for easy handling.
- Die-formed one piece housing includes stiffening embosses and provides increased rigidity.
- Housing is multi-stage phosphate treated for maximum corrosion resistance and finish coat is high reflectance baked white enamel.
- Lamp pin openings in housing ends for easier relamping (can be relamped without using openings).
- Integral baffling system to prevent light leaks.
- 2 sets of integral grid clips (wraparound and fold out) for maximum mounting flexibility.
- Integral wire hanger holes for independent wire suspension.
- Embosses with holes provided in housing end for screwing to T-bar if desired.
- 7/8" K.O.'s provided in each end cap for through wiring.
- Factory installed access plate in housing top includes 7/8" hole with rolled edge and 7/8" K.O.
- Carton includes integral carrying handle for easy handling.

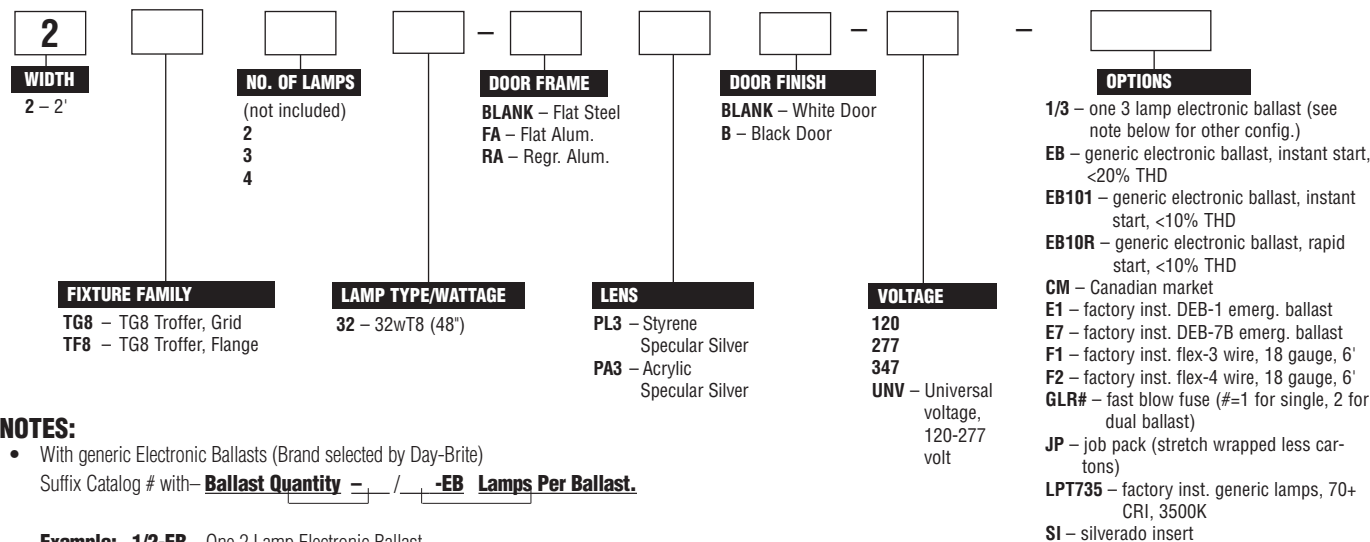
ELECTRICAL

- Class P, HPF ballasts comply with © Federal Ballast Law (Public Law 100-357,1988).
- UL listed, suitable for damp locations. Canadian certified optional.
- Self-contained fluorescent emergency power packs can be incorporated, UL listed for dry locations.
- Rotating ring locking lampholder is standard for secure and positive retention of lamps.

ENCLOSURES

- Full "C" channel door frames for improved louver support and reduced shipping damage.
- Flat steel door frame features smooth rolled edges inside and outside.
- All door frames have mitered corners.
- All door frames use T-hinges and can be hinged and latched from either side.
- Opposable spring loaded latches are standard for easy operation and consistent retention.
- Louver is Specular Silver Polystyrene high efficiency Paralite 3 (3/4"x3/4"x1/2") with durabolic finish which assures durability and ease of cleaning.
- 35° Shielding
- Shipped with plastic film to keep out construction dirt.

CATALOG NUMBER



NOTES:

- With generic Electronic Ballasts (Brand selected by Day-Brite)
Suffix Catalog # with - **Ballast Quantity** - / - **EB Lamps Per Ballast**.

Example: -1/2-EB = One 2 Lamp Electronic Ballast.

Example: -1/3-EB = One 3 Lamp Electronic Ballast.

Example: -1/21-EB = One 2 Lamp Electronic Ballast and One 1 Lamp Electronic Ballast.

Example: -1/4-EB = One 4 Lamp Electronic Ballast.

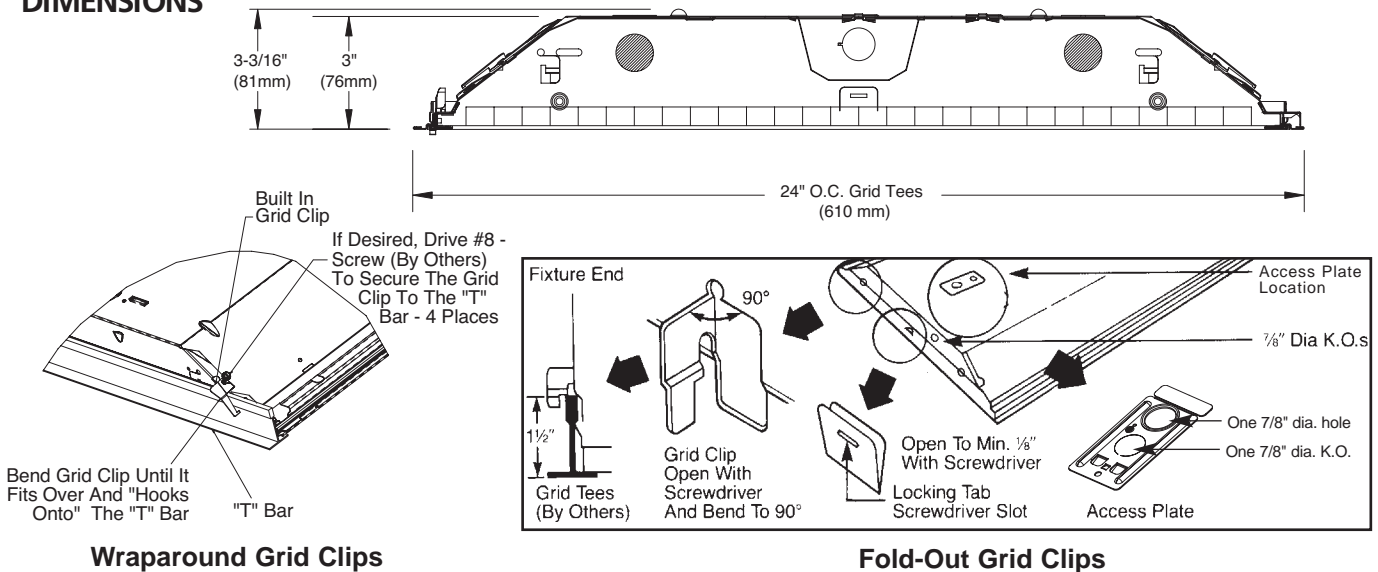
Example: -2/2-EB = Two 2 Lamp Electronic Ballasts.

JOB INFORMATION

144.2-VDT

2' x 4' 2 LAMP

DIMENSIONS



PHOTOMETRIC DATA

CATALOG # 2TG8232-PL3-1/2-EB
TEST #23188 S/MH=1.4

LAMPS = F32T8

BALLAST = ELECTRONIC

INPUT WATTS = 58

BALLAST FACTOR = .88

LER = FP-57

COMPARATIVE YEARLY LIGHTING ENERGY COST PER 1000 LUMENS = \$4.21 BASED ON 3000 HRS. AND \$.08 PER KWH.

FIXTURE EFFICIENCY= 66.2%

CANDLEPOWER			
Angle	End	45	Cross
0	1564	1564	1564
5	1572	1563	1547
10	1549	1545	1526
15	1508	1515	1534
20	1446	1480	1525
25	1373	1444	1499
30	1286	1390	1442
35	1192	1315	1421
40	1088	1232	1391
45	972	1153	1271
50	841	1039	1154
55	654	834	754
60	472	532	594
65	50	81	19
70	2	3	2
75	2	2	2
80	2	1	0
85	0	1	0

MAINTAINED ILLUMINATION TABLE- Square Feet/Fixture*

- 80-50-20 Reflectances (Ceiling-Wall-Floor)
- LLF = 0.75 2850 Lumens/Lamp very clean
- Room width divided by room height = 5 or more, 2 or 1

Fixture Size & # of Lamps	Room Width Room Height =	Approx. Area (sq. ft.) per Fixture				
		10 ft-c	30 ft-c	50 ft-c	70 ft-c	100 ft-c
2-Lamp T8	5	-	102	61	44	31
	2	-	73	44	31	-
	1	-	54	32	-	-

*Observe Fixture S/MH Requirements for Specific Applications

AVERAGE LUMINANCE CD/SQ.M WITH 2850 LUMEN LAMPS

ANGLE	END	45°	CROSS
45	2512	2980	3284
55	2084	2657	2402
65	216	350	82
75	14	14	14
85	0	21	0

TYPICAL V.C.P.'s

Room Size	Mounting Height Lengthwise Crosswise			
	8.5	10	8.5	10
30x30	94	90	93	90
40x40	96	94	96	94
60x30	96	94	96	94
60x60	98	96	97	96
100x100	99	98	98	98

COEFFICIENT OF UTILIZATION

ptc pcc pw	20				70				50			
	70	50	30		70	50	30		50	30		
RGR												
0	79	79	79		77	77	77		73	73		
1	73	70	68		71	69	68		67	65		
2	68	64	59		67	63	58		59	57		
3	63	56	52		60	56	52		54	51		
4	57	51	46		56	50	46		48	45		
5	54	46	40		52	45	40		44	40		
6	50	41	35		47	40	35		40	34		
7	46	38	32		45	36	32		35	32		
8	42	34	28		41	34	28		33	28		
9	40	32	26		39	30	26		29	26		
10	36	28	23		36	28	23		28	23		

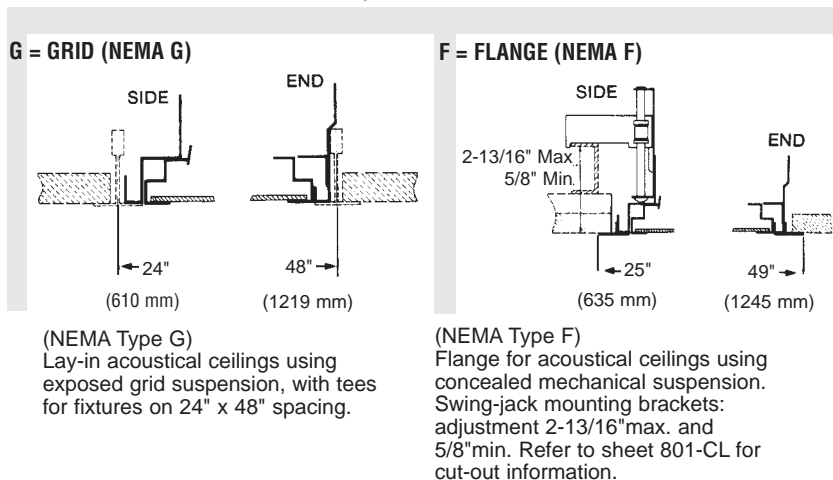
LIGHT DISTRIBUTION

DEGREES	LUMENS	% LAMP	% FIXTURE
0-30	1240	21.7	32.8
0-40	2059	36.1	54.6
0-60	3633	63.7	96.3
0-90	3774	66.2	100.0

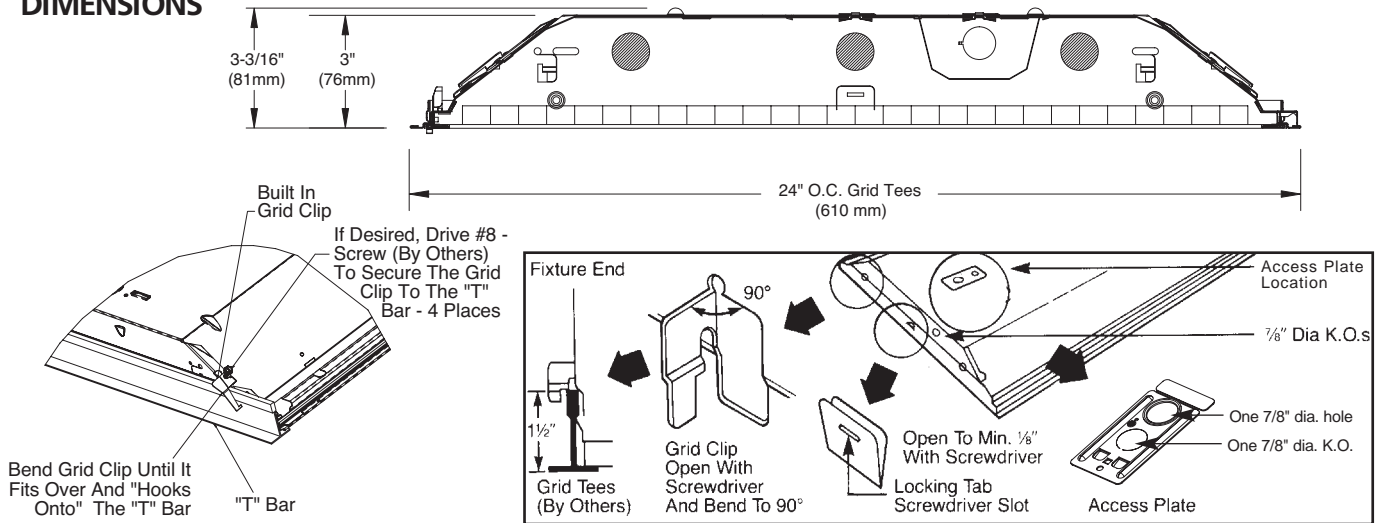
LLF = 0.75 LLF = LIGHT LOSS FACTOR LLD = LDD X LLD X BF LDD = VERY CLEAN 0.94 CLEAN 0.90
LLD = 0.91 @ 40% RATED LAMP LIFE BF = 0.88 ELECTRONIC BALLAST & T-8 LAMP (RELAMP AT 70% LAMP LIFE)

2 T G 8 2 32

CEILING TYPE



DIMENSIONS



Wraparound Grid Clips

Fold-Out Grid Clips

PHOTOMETRIC DATA

CATALOG # 2TG8332-PL3-1/3-EB
TEST # 23187 **S/MH=**1.4

LAMPS = F32T8
BALLAST = ELECTRONIC

INPUT WATTS = 83
BALLAST FACTOR = .88

LER = FP-58

COMPARATIVE YEARLY LIGHTING ENERGY COST PER 1000 LUMENS = **\$4.14** BASED ON 3000 HRS. AND \$.08 PER KWH.

FIXTURE EFFICIENCY= 64.0%

CANDLEPOWER			
Angle	End	45	Cross
0	2266	2266	2266
5	2274	2263	2239
10	2235	2230	2206
15	2174	2186	2220
20	2091	2151	2231
25	1986	2106	2194
30	1863	2034	2099
35	1724	1920	2039
40	1574	1784	2000
45	1406	1661	1817
50	1214	1498	1646
55	952	1196	1043
60	666	773	872
65	72	113	20
70	2	4	2
75	2	2	1
80	2	2	1
85	1	1	1

MAINTAINED ILLUMINATION TABLE- Square Feet/Fixture*

- 80-50-20 Reflectances (Ceiling-Wall-Floor)
- LLF = 0.75 2850 Lumens/Lamp very clean
- Room width divided by room height = 5 or more, 2 or 1

Fixture Size & # of Lamps	Room Width Room Height =	Approx. Area (sq. ft.) per Fixture				
		10 ft-c	30 ft-c	50 ft-c	70 ft-c	100 ft-c
3-Lamp T8	5	-	148	89	63	44
	2	-	106	64	45	32
	1	-	78	47	34	-

*Observe Fixture S/MH Requirements for Specific Applications

AVERAGE LUMINANCE CD/SQ.M WITH 2850 LUMEN LAMPS			
ANGLE	END	45°	CROSS
45	3633	4292	4695
55	3033	3810	3323
65	311	489	86
75	14	14	7
85	21	21	21

TYPICAL V.C.P.'s Room Mounting Height			
Room Size	Lengthwise	Crosswise	
	8.5	10	8.5 10
30x30	92	86	91 86
40x40	95	91	94 91
60x30	95	91	94 91
60x60	97	94	96 94
100x100	98	97	98 97

COEFFICIENT OF UTILIZATION

ptc pcc pw RCR	20			70			50		
	70	50	30	70	50	30	50	30	70
0	76	76	76	73	73	73	70	70	70
1	70	68	67	69	67	66	65	63	63
2	66	61	57	64	59	56	57	56	56
3	60	55	51	58	54	50	52	48	48
4	56	48	44	55	48	44	46	42	42
5	52	44	39	51	44	39	41	38	38
6	47	40	34	46	40	34	38	34	34
7	44	35	30	42	35	30	34	30	30
8	40	33	28	40	33	28	32	28	28
9	39	30	26	38	29	25	28	25	25
10	35	28	23	34	28	23	27	23	23

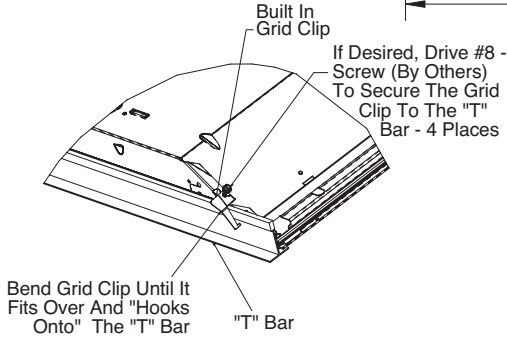
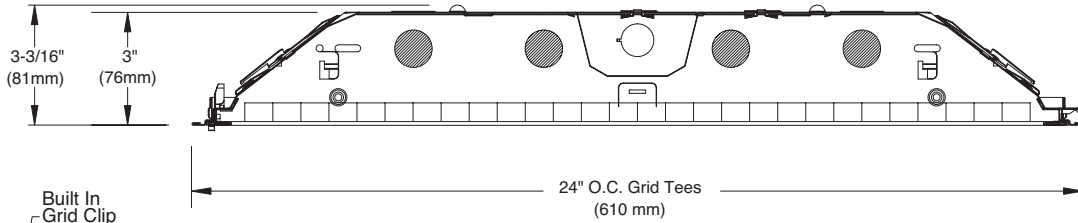
LIGHT DISTRIBUTION

DEGREES	LUMENS	% LAMP	% FIXTURE
0-30	1800	21.1	32.9
0-40	2989	35.0	54.6
0-60	5263	61.6	96.2
0-90	5470	64.0	100.0

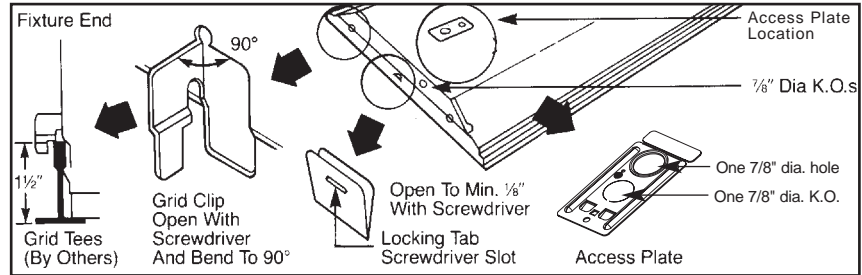
LLF = 0.75 LLF = LIGHT LOSS FACTOR LLF = LDD X LLD X BF LDD = VERY CLEAN 0.94 CLEAN 0.90
LLD = 0.91 @ 40% RATED LAMP LIFE BF = 0.88 ELECTRONIC BALLAST & T-8 LAMP (RELAMP AT 70% LAMP LIFE)

2' x 4' 4 LAMP

DIMENSIONS



Wraparound Grid Clips



Fold-Out Grid Clips

PHOTOMETRIC DATA

CATALOG # 2TG8432-PL3-1/4-EB
TEST #23190 S/MH=1.4

LAMPS = F32T8
BALLAST = ELECTRONIC BALLAST FACTOR = .88

LER = FP-58

COMPARATIVE YEARLY LIGHTING ENERGY COST PER 1000 LUMENS = \$4.14 BASED ON 3000 HRS. AND \$.08 PER KWH.

FIXTURE EFFICIENCY= 62.3%

CANDLEPOWER			
Angle	End	45	Cross
0	2927	2927	2927
5	2945	2932	2917
10	2899	2921	2917
15	2817	2879	2913
20	2707	2819	2882
25	2574	2729	2834
30	2420	2626	2761
35	2242	2491	2673
40	2046	2335	2571
45	1830	2156	2372
50	1591	1926	2118
55	1232	1545	1376
60	878	1012	1139
65	109	136	23
70	3	3	2
75	2	2	1
80	2	2	1
85	2	1	0

MAINTAINED ILLUMINATION TABLE- Square Feet/Fixture*						
■ 80-50-20 Reflectances (Ceiling-Wall-Floor) ■ LLF = 0.75 2850 Lumens/Lamp very clean ■ Room width divided by room height = 5 or more, 2 or 1						
Fixture Size & # of Lamps	Room Width Room Height =	Approx. Area (sq. ft.) per Fixture				
		10 ft-c	30 ft-c	50 ft-c	70 ft-c	100 ft-c
4-Lamp T8	5	-	-	115	82	58
	2	-	138	83	59	41
	1	-	102	61	44	31

*Observe Fixture S/MH Requirements for Specific Applications

AVERAGE LUMINANCE CD/SQ.M WITH 2850 LUMEN LAMPS			
ANGLE	END	45°	CROSS
45	4729	5572	6130
55	3925	4922	4384
65	471	588	99
75	14	14	7
85	42	21	0

TYPICAL V.C.P.'s				
Room Size	Mounting Height		Crosswise	
	8.5	10	8.5	10
30x30	90	83	88	83
40x40	93	89	92	88
60x30	93	89	92	88
60x60	95	92	95	92
100x100	97	95	97	95

COEFFICIENT OF UTILIZATION						
p/c p/c p/w	20		70		50	
	80	50	30	70	50	30
RCR						
0	73	73	73	71	71	68
1	68	67	65	68	66	64
2	64	59	56	63	58	56
3	58	54	48	57	53	48
4	55	47	42	53	46	42
5	50	42	38	48	42	38
6	46	39	34	46	39	34
7	42	35	29	41	34	29
8	40	32	27	39	32	27
9	38	29	25	36	28	23
10	34	27	23	34	27	22

LIGHT DISTRIBUTION			
DEGREES	LUMENS	% LAMP	% FIXTURE
0-30	2344	20.6	33.0
0-40	3894	34.2	54.9
0-60	6836	60.0	96.3
0-90	7100	62.3	100.0

LLF = 0.75 LLF = LIGHT LOSS FACTOR LLD = LDD X LLD X BF LDD = VERY CLEAN 0.94 CLEAN 0.90
LLD = 0.91 @ 40% RATED LAMP LIFE BF = 0.88 ELECTRONIC BALLAST & T-8 LAMP (RELAMP AT 70% LAMP LIFE)