

**2 Lamp
Slimline T8 or T12
High Output T8(380mA) or T12(800mA)
Asymmetric light distribution to direct light
to assembly lines**

CONSTRUCTION/FINISH

- Reflector is a dual beam cross throw design.
- Housing is multi-stage phosphate treated for maximum corrosion resistance and finish coat is high reflectance baked white enamel.

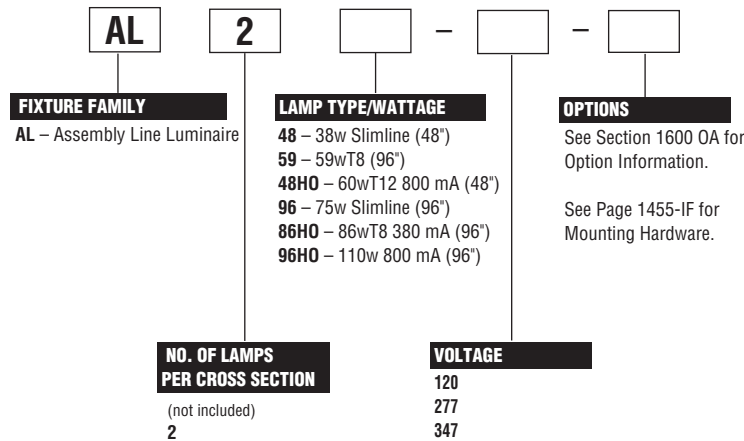
ELECTRICAL

- UL listed for damp locations.
- Class P, HPF, CBM certified ballasts comply with Federal Ballast Law (Public Law 100-357, 1988).
- Pressure lock lampholders secured by snap-in socket plates.
- **IMPORTANT! 800 M.A. Fixtures must be suspended** with a minimum 1-1/2" from surface.

PERFORMANCE

- Light Distribution shall be axially asymmetric to provide high vertical foot candles.
- Fixture efficiency shall exceed 77%.
- Fixture shall have horizontal to vertical ratio of 1.3/1.0 at 3' when mounted on 18' centers in continuous row at 9' mounting height.
- Day-Brite's standard fixtures for high output T8 (380mA) and T12 (800mA) include ballasts rated for -20° F starting temperature.

CATALOG NUMBER



NOTES:

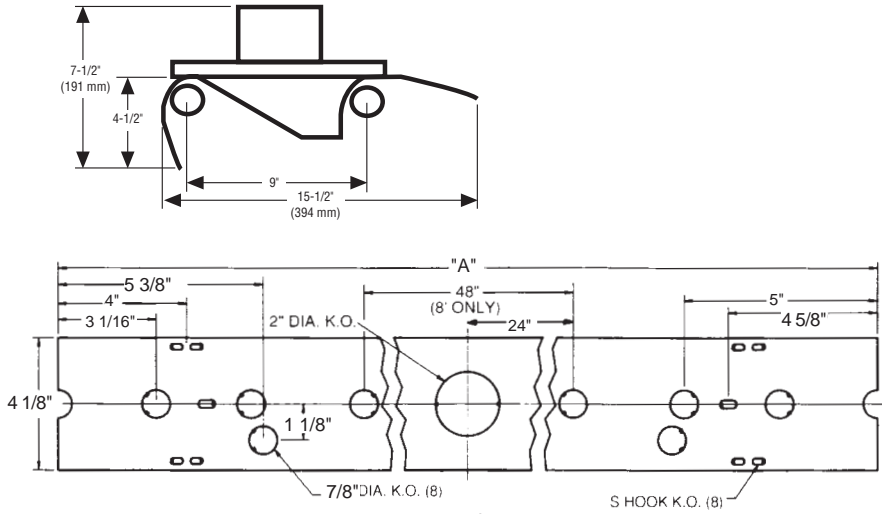
- With generic Electronic Ballasts (Brand selected by Day-Brite)
Suffix Catalog # with – **Ballast Quantity** – / – **EB** **Lamps Per Ballast**.

Example: -1/2-EB = One 2 Lamp Electronic Ballast.

ASSEMBLY LINE LUMINAIRE



DIMENSIONS



DIM "A"	Inches	(mm)
4' CHANNEL	48"	(1219 mm)
8' CHANNEL	96"	(2438 mm)

PHOTOMETRIC DATA

CATALOG # AL296HO
TEST # 7763

S/MH=1.2

LAMPS = F96 HO
BALLAST = ESB

INPUT WATTS = 204
BALLAST FACTOR = .95

LER = FS-67

COMPARATIVE YEARLY LIGHTING ENERGY COST PER 1000 LUMENS = \$3.58 BASED ON 3000 HRS. AND \$.08 PER KWH.

FIXTURE EFFICIENCY= 78.0%

CANDLEPOWER			
Angle	End	45	Cross
0	4598	4598	4598
5	4885	4755	4514
15	5206	4934	4274
25	5367	4953	3928
35	5623	4894	3526
45	5953	5070	3014
55	5336	4619	2235
65	4304	4008	1581
75	2748	2482	815
85	1451	1111	160
95	370	185	0
105	29	29	0
115	0	0	0
125	0	0	0
135	0	0	0
145	0	0	0
155	0	0	0
165	0	0	0
175	0	0	0

MAINTAINED ILLUMINATION TABLE- Square Feet/Fixture*

- 50-50-20 Reflectances (Ceiling-Wall-Floor)
- LLF = 0.79 9200 Lumens/Lamp Medium Dirt
- Room width divided by room height = 5 or more, 2 or 1

Fixture Size & # of Lamps	Room Width Room Height =	Approx. Area (sq. ft.) per Fixture			
		10 ft-c	30 ft-c	50 ft-c	70 ft-c
8' 2-Lamp	5	-	-	-	115
	2	-	-	108	76
	1	-	109	78	55

*Observe Fixture S/MH Requirements for Specific Applications

AVERAGE LUMINANCE CD/SQ.M WITH 9200 LUMEN LAMPS

ANGLE	END	45°	CROSS
45	9062	7718	4588
55	10014	8668	4194
65	10962	10208	4027
75	11429	10322	3389
85	17920	13721	1976

LLF = .79 LLF = LIGHT LOSS FACTOR LLF = LDD X LLD X BF LDD = CLEAN 0.88
LLD = 0.88 @ 40% RATED LAMP LIFE BF = 0.95 ESB BALLAST & F96 HO LAMP (RELAMP AT 70% LAMP LIFE)

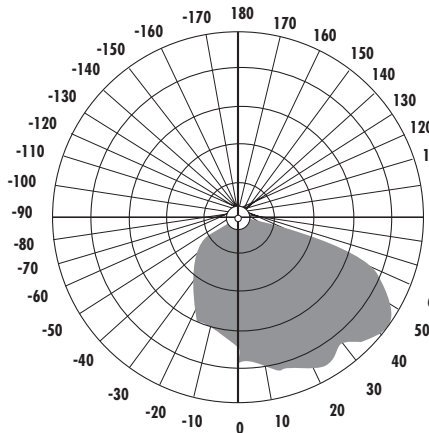
COEFFICIENT OF UTILIZATION

pfc pcc pw RCR	20				50			
	70	50	30	70	50	30	50	30
0	93	93	93	90	90	90	85	85
1	82	79	75	81	77	73	73	70
2	75	68	61	72	67	60	64	58
3	68	58	53	66	57	52	56	50
4	61	52	45	59	51	44	48	42
5	56	46	39	55	46	39	44	38
6	53	41	34	51	40	34	39	33
7	48	38	30	46	36	29	35	29
8	45	34	28	44	34	27	33	27
9	41	32	25	40	30	25	29	23
10	40	28	23	39	28	23	28	22

LIGHT DISTRIBUTION

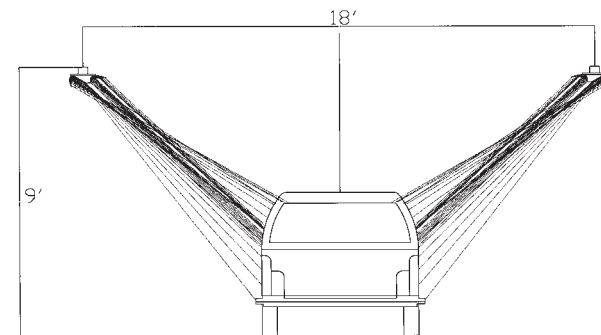
DEGREES	LUMENS	% LAMP	% FIXTURE
0-30	3401	18.5	23.7
0-40	5586	30.4	38.9
0-60	10317	56.1	71.9
0-90	14209	77.2	99.1
90-180	136	0.7	0.9
0-180	14345	78.0	100.0

PHOTOMETRIC LIGHTING CURVE



INSTALLATION

Unit shall have horizontal to vertical ratio of 1.3/1.0 at 3' when mounted on 18' centers in continuous rows at 9' mounting height.



1446-IF

DAY-BRITE LIGHTING
776 South Green Street • Tupelo, Mississippi 38804 • PH: (662) 842-7212 • FAX: (662) 841-5501
CANADIAN DIVISION
189 Bullock Drive • Markham, Ontario L3P 1W4 • PH: (905) 294-9570 • FAX: (905) 294-9811

©2000 DAY-BRITE LIGHTING
HOT 03-00-20M
DAY-BRITE RESERVES THE RIGHT TO
MAKE CHANGES WITHOUT NOTICE.

Day-Brite | Capri | Omega
Genlyte Thomas Group