

**1 or 2 Lamp  
T8 or T12  
Heavy duty vandal resistant  
fluorescent luminaire**

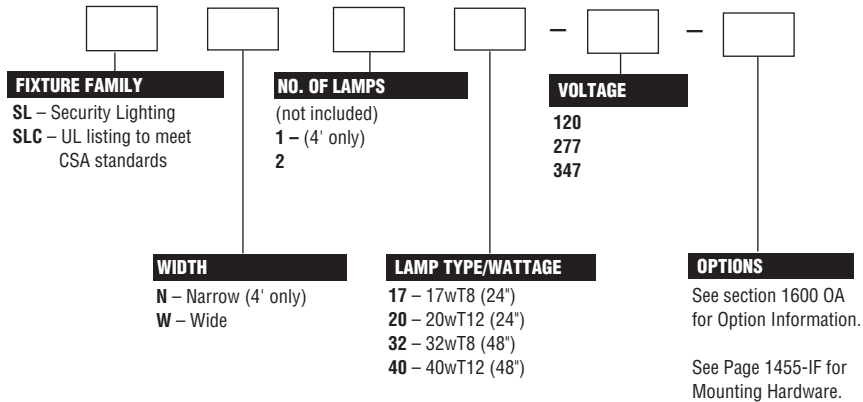
**CONSTRUCTION/FINISH**

- Impact resistant polycarbonate lens protects fixture and light source from abuse. Lens is sealed to housing with closed cell gasket.
- Pyramidal prism design on lens bottom and vertical perimeter rib provides maximum efficiency and light control.
- Polycarbonate lens is UV stabilized to resist discoloration.
- Tamper resistant spanner head screws fit into captive inserts and secure lens to housing. Special screwdriver required.
- Die formed steel provides a rugged housing for harsh and hostile conditions.
- For individual or wall mounting.

**ELECTRICAL**

- UL listed for direct mounting on low density ceilings and damp locations.
- Class P, HPF, CBM certified ballasts comply with ©Federal Ballast Law (Public Law 100-357, 1988).
- Lampholders may be individually replaced or rewired.
- C.S.A. certified optional.

**CATALOG NUMBER**



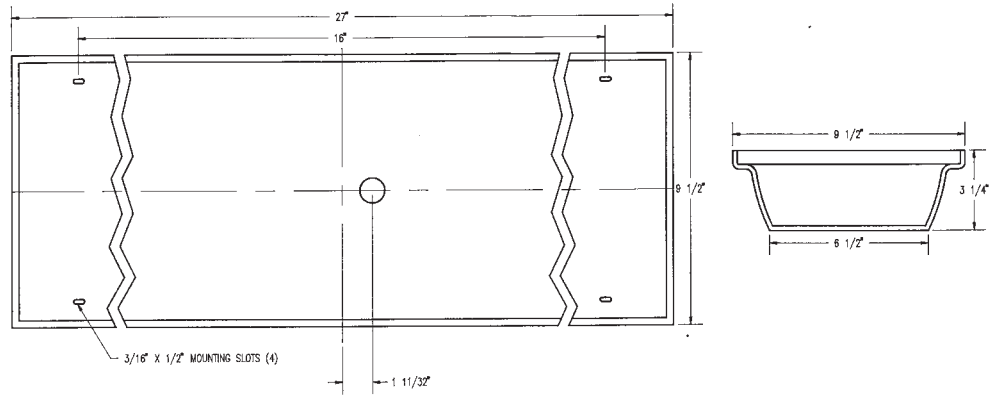
**NOTES:**

- With generic Electronic Ballasts (Brand selected by Day-Brite)  
Suffix Catalog # with – **Ballast Quantity** – / – **EB** **Lamps Per Ballast**.

**Example:** –1/2-EB = One 2 Lamp Electronic Ballast.

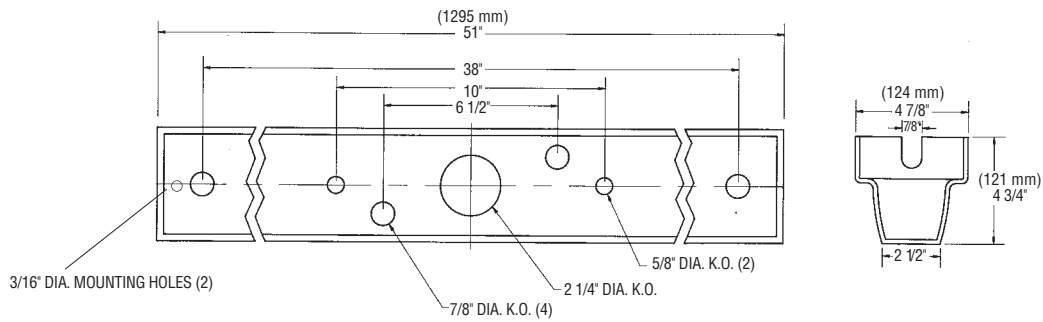
## DIMENSIONS

### 2'-2 LAMP



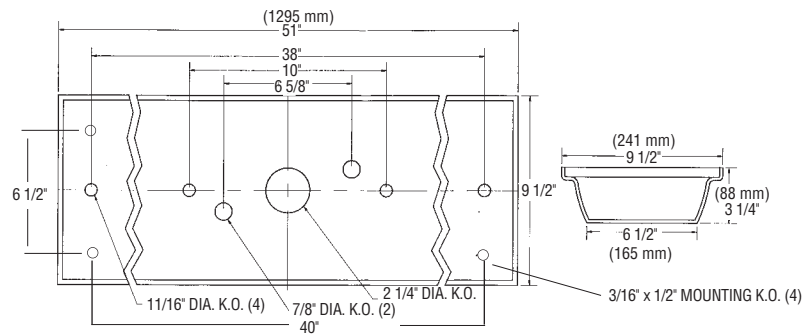
## DIMENSIONS

### 4'-1 LAMP



## DIMENSIONS

### 4'-2 LAMP



**PHOTOMETRIC DATA**

**CATALOG #** SLN132-1/1-EB  
**TEST #** 42328 **S/MH=**1.4

**LAMPS =** F32 T8  
**BALLAST =** ELECTRONIC

**INPUT WATTS =** 34  
**BALLAST FACTOR =** 1.00

**LER =** 62

COMPARATIVE YEARLY LIGHTING ENERGY COST PER 1000 LUMENS = **\$3.87** BASED ON 3000 HRS. AND \$.08 PER KWH.

**FIXTURE EFFICIENCY=** 72.3%

CANDLEPOWER				
Angle	End	45	Cross	
0	429	429	429	
5	429	422	418	
15	389	372	369	
25	319	319	345	
35	248	298	391	
45	184	293	460	
55	138	292	474	
65	107	259	443	
75	63	215	394	
85	20	174	352	
95	5	145	328	
105	3	104	305	
115	1	32	165	
125	0	16	39	
135	0	11	25	
145	0	4	13	
155	0	2	3	
165	0	0	1	
175	0	0	0	

**MAINTAINED ILLUMINATION TABLE- Square Feet/Fixture\***

- 80-50-20 Reflectances (Ceiling-Wall-Floor)
- LLF = 0.83 2900 Lumens/Lamp (very clean)
- Room width divided by room height = 5 or more, 2 or 1

Fixture Size & # of Lamps	Room Width Room Height =	Approx. Area (sq. ft.) per Fixture				
		10 ft-c	30 ft-c	50 ft-c	70 ft-c	100 ft-c
4' 1-Lamp	5	-	54	32	-	-
	2	103	34	-	-	-
	1	73	-	-	-	-

\*Observe Fixture S/MH Requirements for Specific Applications

**AVERAGE LUMINANCE CD/SQ.M WITH 2900 LUMEN LAMPS**

ANGLE	END	45°	CROSS
45	2163	2722	3533
55	1962	2945	3704
65	2002	2956	3637
75	1803	2927	3519
85	1300	3050	3566

**TYPICAL V.C.P.'s**

Room Size	Mounting Height	
	Lengthwise	Crosswise
	8.5	10
30x30	53	59
40x40	49	53
60x30	53	57
60x60	46	48
100x100	44	45

LLF = .83 LLF = LIGHT LOSS FACTOR LLF = LDD X LLD X BF LDD = VERY CLEAN 0.94  
LLD = 0.88 @ 40% RATED LAMP LIFE BF = 1.00 ELECTRONIC BALLAST & T8 LAMP (RELAMP AT 70% LAMP LIFE)

**COEFFICIENT OF UTILIZATION**

pfc	20			
	80	70	50	30
RCR	70	50	30	50
0	82	82	79	79
1	71	68	63	60
2	65	56	51	48
3	57	48	41	40
4	53	42	35	34
5	47	38	30	29
6	44	34	27	26
7	40	29	23	23
8	38	28	20	20
9	34	25	19	17
10	33	23	17	16

**LIGHT DISTRIBUTION**

DEGREES	LUMENS	% LAMP	% FIXTURE
0-30	297	10.2	14.1
0-40	490	16.9	23.4
0-60	1000	34.5	47.7
0-90	1711	59.0	81.6
90-180	386	13.3	18.4
0-180	2097	72.3	100.0

**PHOTOMETRIC DATA**

**CATALOG #** SLW232-1/2-EB  
**TEST #** 42329 **S/MH=**1.3

**LAMPS =** F32 T8  
**BALLAST =** ELECTRONIC

**INPUT WATTS =** 57  
**BALLAST FACTOR =** .92

**LER =** 48

COMPARATIVE YEARLY LIGHTING ENERGY COST PER 1000 LUMENS = **\$5.00** BASED ON 3000 HRS. AND \$.08 PER KWH.

**FIXTURE EFFICIENCY=** 51.3%

CANDLEPOWER				
Angle	End	45	Cross	
0	995	995	995	
5	991	987	981	
15	898	909	925	
25	729	769	858	
35	553	641	814	
45	382	514	736	
55	245	390	643	
65	191	283	545	
75	140	192	501	
85	51	166	481	
95	11	95	320	
105	6	40	175	
115	3	18	56	
125	1	11	31	
135	0	6	18	
145	0	3	7	
155	0	2	4	
165	0	0	1	
175	0	0	0	

**MAINTAINED ILLUMINATION TABLE- Square Feet/Fixture\***

- 80-50-20 Reflectances (Ceiling-Wall-Floor)
- LLF = 0.76 2900 Lumens/Lamp (very clean)
- Room width divided by room height = 5 or more, 2 or 1

Fixture Size & # of Lamps	Room Width Room Height =	Approx. Area (sq. ft.) per Fixture				
		10 ft-c	30 ft-c	50 ft-c	70 ft-c	100 ft-c
4' 2-Lamp	5	-	74	45	32	-
	2	149	50	-	-	-
	1	109	36	-	-	-

\*Observe Fixture S/MH Requirements for Specific Applications

**AVERAGE LUMINANCE CD/SQ.M WITH 2900 LUMEN LAMPS**

ANGLE	END	45°	CROSS
45	1982	2468	3289
55	1539	2169	3208
65	1580	1940	3188
75	1776	1785	3675
85	1481	2516	4932

**TYPICAL V.C.P.'s**

Room Size	Mounting Height	
	Lengthwise	Crosswise
	8.5	10
30x30	60	66
40x40	55	59
60x30	58	64
60x60	50	53
100x100	46	48

LLF = .76 LLF = LIGHT LOSS FACTOR LLF = LDD X LLD X BF LDD = VERY CLEAN 0.94  
LLD = 0.88 @ 40% RATED LAMP LIFE BF = 0.92 ELECTRONIC BALLAST & T8 LAMP (RELAMP AT 70% LAMP LIFE)

**COEFFICIENT OF UTILIZATION**

pfc	20			
	80	70	50	30
RCR	70	50	30	50
0	59	59	57	57
1	54	51	47	46
2	47	44	40	39
3	44	38	34	34
4	40	34	28	28
5	36	29	25	25
6	34	27	23	22
7	32	25	20	20
8	29	23	17	17
9	28	20	17	16
10	26	19	14	14

**LIGHT DISTRIBUTION**

DEGREES	LUMENS	% LAMP	% FIXTURE
0-30	712	12.3	23.9
0-40	1129	19.5	37.9
0-60	1917	33.0	64.4
0-90	2730	47.1	91.7
90-180	248	4.3	8.3
0-180	2977	51.3	100.0

