

FLANGE CONVERSION KITS

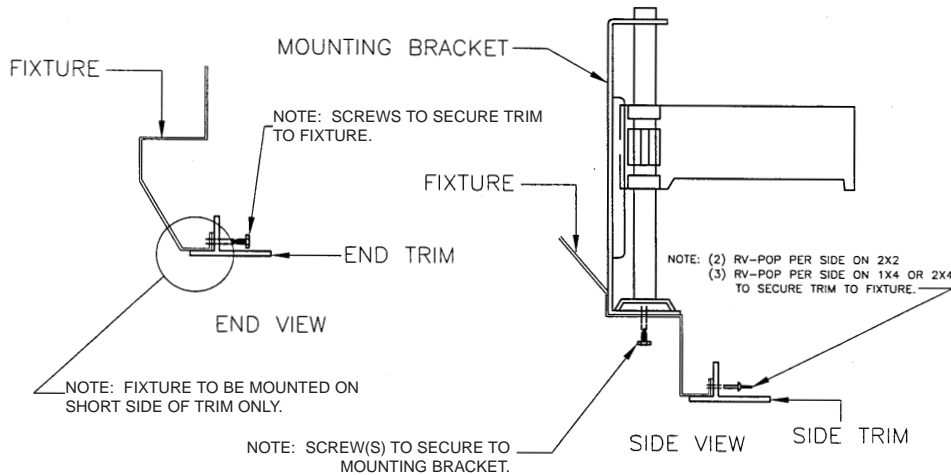
The Flange Conversion Kits permit conversion of some grid (NEMA G) type luminaires to flange (NEMA F) type.

FLANGE CONVERSION KITS—PRODUCT AVAILABILITY

Catalog Number	Used On
FKT14	1x4 TG / Designer /SP
FKDP22	2x2 DP Designer / SP / TG8 / LP3 Paralouver
FKTG824	2x4 TG8
FKDP24	2x4 DP Designer / LP3 Paralouver

Note: Minimum ceiling opening required for flanged luminaires is nominal width and length. Recommended ceiling opening is nominal width and length plus 1/4", i.e. 24-1/4" x 48-1/4" for a 2x4 luminaire.

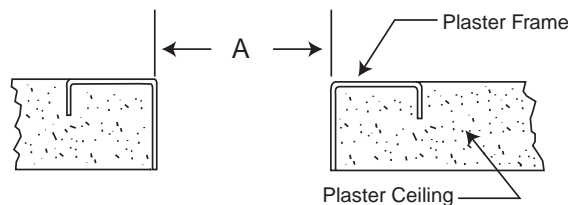
DIMENSIONS



PLASTER FRAME

FLANGE CONVERSION KITS—PRODUCT AVAILABILITY/DIMENSIONS

Catalog No.	Fixture Size	Description	Width A	Length* A
AF-37	1' x 4'	Individual Plaster Frame	12-5/16"	48-9/32"
AF-47	2' x 2'	Individual Plaster Frame	24-5/16"	24-9/32"
AF-40R	2' x 4'	Individual Plaster Frame	24-5/16"	48-9/32"
AF-44	4' x 4'	Individual Plaster Frame	48-5/16"	48-9/32"



Note: The plaster frame does not support the luminaire, it only provides a means to trim and size the hole when plastering the ceiling. A flanged luminaire or "F" Mounting Kit (FMA) must be used in conjunction with the plaster frame to provide support for the luminaire. If an existing ceiling is present, or the ceiling opening can be trimmed and sized by another means, the plaster frame is not required.

Flange Conversion Kit Features

- Provides added flexibility in situations where grid type luminaires are available, but a flange fixture is needed.
- All hardware is provided, including side and end trims along with swing arm jacks and mounting hardware.
- Each kit includes an instruction sheet describing the conversion process.
- Not required if luminaire has been ordered flange (F) from factory.

Plaster Frame Features

- Couplers are included so that these may be used in continuous rows.
- For continuous troffer two 4 ft. frames are held together by couplers insert 6-32 flat head screws at centers.
- Removable spacer brackets provided to maintain proper spacing and rigidity.
- Made from galvanized steel.
- Frame to trim and size opening when wet plastering ceiling. Used in conjunction with flange type (NEMA F) fixture or flange mounting kit (FMA).