

**1, 2, or 3 Lamp  
T8 or T12**

**APPLICATION**

- Premium quality recessed static troffer for:
  - Grid inverted T (NEMA “G”)
  - Flange-type for concealed mechanical suspension (NEMA “F”)
  - Modular and “Z” spline (NEMA “M/Z”)
  - Contact Day-Brite for other ceiling types.

**CONSTRUCTION/FINISH**

- Die formed ribbed and embossed steel housing.
- Housing is multi-stage phosphate treated for maximum corrosion resistance and finish coat is high reflectance baked white enamel.
- Access plate (2 K.O.'s) factory installed includes grounding screw.
- T-bar grid clips (UL listed, patented) built into fixture end plates, no extra parts required.

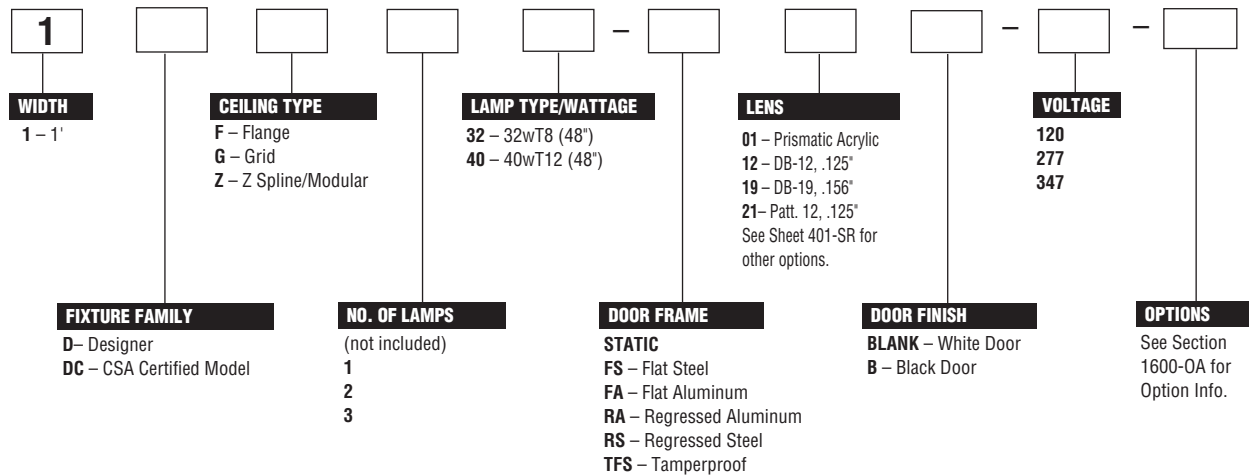
**ELECTRICAL**

- Class P, HPF, CBM certified ballasts comply with Federal Ballast Law (Public Law 100-357, 1988). UL listed for damp locations. C.S.A. certified optional.
- Self-contained fluorescent emergency power packs can be incorporated. (1 and 2 lamp fixtures only)

**ENCLOSURES**

- Mitered corner door frames with a choice of: Flat Steel, Regressed Steel, Flat Aluminum, or Regressed Aluminum.
- Door frames standard with guide post spring loaded latches.
- Mechanically designed interlocks block light, no gaskets are needed.
- Prismatic acrylic pattern 12 lens standard (01). Other lenses or louvers optional.
- Choice of door finishes; white (standard) or black.

**CATALOG NUMBER**



**NOTES:**

- With generic Electronic Ballasts (Brand selected by Day-Brite)  
Suffix Catalog # with- **Ballast Quantity** - / - **EB Lamps Per Ballast.**

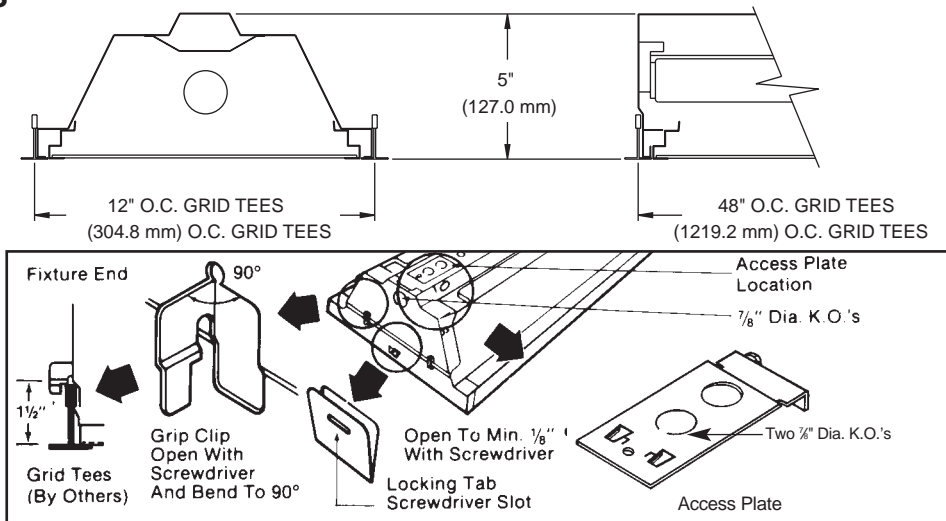
**Example: -1/2-EB** = One 2 Lamp Electronic Ballast.

**Example: -1/3-EB** = One 2 Lamp Electronic Ballast.

**Example: -1/21-EB** = One 2 Lamp Electronic Ballast and One 1 Lamp Electronic Ballast.

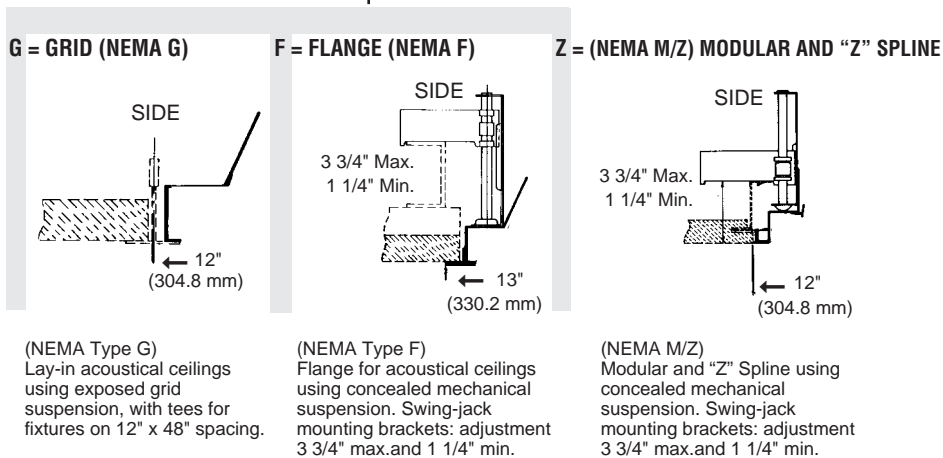
# 1' x 4' 1 LAMP

## DIMENSIONS



**1 D G 1 32 -**

### CEILING TYPE



## PHOTOMETRIC DATA

CATALOG # 1DG132-FS01-1/1-EB  
TEST # 15549 S/MH= 1.4

LAMPS = F32 T8  
BALLAST = ELECTRONIC

INPUT WATTS = 35  
BALLAST FACTOR = 1.00

LER = FL-65

COMPARATIVE YEARLY LIGHTING ENERGY COST PER 1000 LUMENS = **\$3.69** BASED ON 3000 HRS. AND \$.08 PER KWH.

FIXTURE EFFICIENCY = 78.1%

CANDLEPOWER				
Angle	End	45	Cross	
0	846	846	846	
5	843	845	843	
10	832	840	844	
15	814	832	845	
20	786	819	842	
25	750	799	834	
30	705	789	828	
35	655	732	806	
40	589	666	746	
45	514	586	645	
50	423	501	514	
55	335	400	379	
60	258	289	272	
65	192	190	194	
70	140	117	142	
75	106	81	110	
80	81	68	84	
85	44	40	46	

### MAINTAINED ILLUMINATION TABLE- Square Feet/Fixture\*

- 80-50-20 Reflectances (Ceiling-Wall-Floor)
- LLF = 0.83 2900 Lumens/Lamp very clean
- Room width divided by room height = 5 or more, 2 or 1

Fixture Size & # of Lamps	Room Width Room Height =	Approx. Area (sq. ft.) per Fixture			
		10 ft-c	30 ft-c	50 ft-c	70 ft-c
1' X 4' 1 Lamp	5	-	66	39	-
	2	137	46	-	-
	1	101	34	-	-

\*Observe Fixture S/MH Requirements for Specific Applications

AVERAGE LUMINANCE CD/SQ.M WITH 2900 LUMEN LAMPS				
ANGLE	END	45°	CROSS	
45	2505	2856	3144	
55	2013	2403	2277	
65	1566	1549	1582	
75	1411	1079	1465	
85	1740	1582	1819	

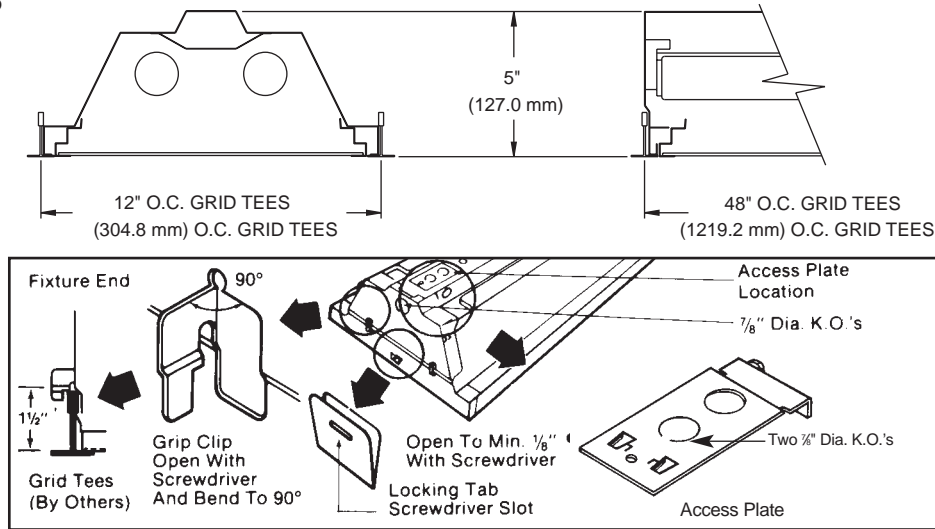
TYPICAL V.C.P.'s Room Mounting Height				
Room Size	Lengthwise	10	8.5	10
30x30	63	68	62	67
40x40	60	63	59	62
60x30	66	69	65	69
60x60	56	59	55	58
100x100	53	55	52	54

COEFFICIENT OF UTILIZATION						
pfc cc pw RCR	20		70		50	
	80	30	50	30	50	30
0	93	93	93	91	91	86
1	85	81	79	82	80	77
2	78	71	67	76	70	66
3	71	64	57	69	63	56
4	66	56	51	64	56	50
5	60	51	45	58	50	44
6	56	46	40	55	46	39
7	52	41	34	51	40	34
8	48	38	32	47	38	32
9	46	34	28	44	34	28
10	42	33	27	41	32	26

LIGHT DISTRIBUTION			
DEGREES	LUMENS	% LAMP	% FIXTURE
0-30	682	23.5	30.1
0-40	1137	39.2	50.2
0-60	1922	66.3	84.8
0-90	2266	78.1	100.0

LLF = .83 LLF = LIGHT LOSS FACTOR LLF = LDD X LLD X BF LDD = VERY CLEAN 0.94 CLEAN 0.90  
LLD = 0.88 @ 40% RATED LAMP LIFE BF = 1.00 ELECTRONIC BALLAST & T8 LAMP (RELAMP AT 70% LAMP LIFE)

**DIMENSIONS**



**PHOTOMETRIC DATA**

**CATALOG #** 1DG232-FS01-1/2-EB  
**TEST #** 15184 **S/MH=**1.2

**LAMPS =** F32 T8  
**BALLAST =** ELECTRONIC

**INPUT WATTS =** 59  
**BALLAST FACTOR =** .92

**LER =** FL-63

COMPARATIVE YEARLY LIGHTING ENERGY COST PER 1000 LUMENS = **\$3.81** BASED ON 3000 HRS. AND \$.08 PER KWH.

**FIXTURE EFFICIENCY=** 69.8%

CANDLEPOWER				
Angle	End	45	Cross	
0	1838	1838	1838	
5	1834	1835	1821	
10	1811	1811	1796	
15	1771	1769	1755	
20	1711	1706	1682	
25	1635	1616	1569	
30	1528	1487	1415	
35	1400	1331	1259	
40	1243	1149	1109	
45	1054	958	935	
50	844	764	718	
55	638	577	522	
60	462	407	378	
65	333	277	283	
70	241	189	222	
75	177	141	180	
80	128	110	133	
85	67	60	68	

**MAINTAINED ILLUMINATION TABLE- Square Feet/Fixture\***

- 80-50-20 Reflectances (Ceiling-Wall-Floor)
- LLF = 0.76 2900 Lumens/Lamp very clean
- Room width divided by room height = 5 or more, 2 or 1

Fixture Size & # of Lamps	Room Width Room Height =	Approx. Area (sq. ft.) per Fixture				
		10 ft-c	30 ft-c	50 ft-c	70 ft-c	100 ft-c
1' X 4 2-Lamp	5	-	109	66	47	33
	2	-	78	47	34	-
	1	169	57	34	-	-

\*Observe Fixture S/MH Requirements for Specific Applications

AVERAGE LUMINANCE CD/SQ.M WITH 2900 LUMEN LAMPS				
ANGLE	END	45°	CROSS	
45	5579	5070	4949	
55	4162	3764	3406	
65	2948	2452	2505	
75	2557	2037	2601	
85	2868	2569	2911	

TYPICAL V.C.P.'s				
Room Size	Mounting Height			
	8.5	10	8.5	10
30x30	49	54	49	55
40x40	46	49	45	49
60x30	52	56	52	57
60x60	42	45	42	44
100x100	41	42	41	41

**COEFFICIENT OF UTILIZATION**

pfc	20							
	80				50			
pcc	70	50	30	70	50	30	50	30
pw								
RCR								
0	83	83	83	81	81	81	77	77
1	77	74	72	75	73	70	70	68
2	71	66	62	70	65	61	63	60
3	66	60	55	64	59	54	57	53
4	61	54	48	60	53	48	51	47
5	56	48	43	55	48	42	46	41
6	52	44	38	51	43	38	42	37
7	48	40	34	47	39	34	38	33
8	45	36	30	43	35	30	34	29
9	41	32	27	40	32	26	31	26
10	38	29	24	37	29	24	28	23

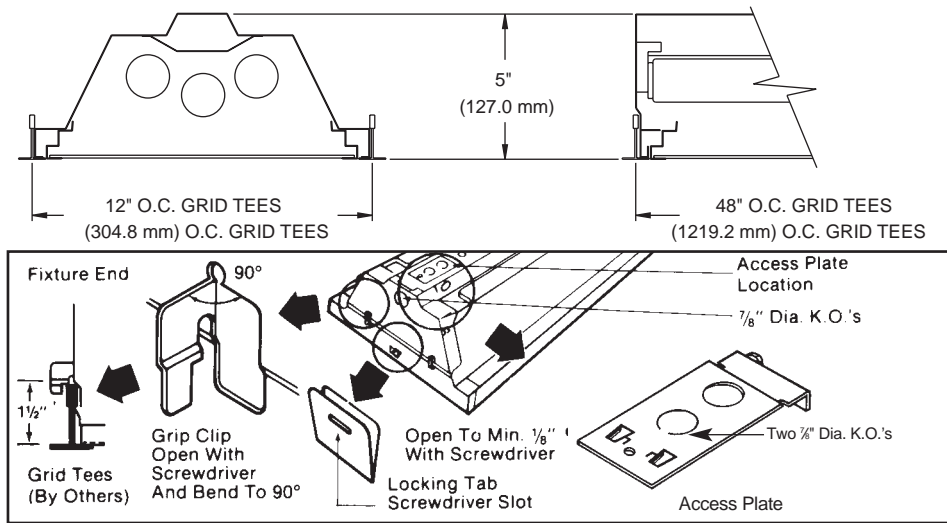
**LIGHT DISTRIBUTION**

DEGREES	LUMENS	% LAMP	% FIXTURE
0-30	1513.	26.1	37.4
0-40	2342.	40.4	57.9
0-60	3554.	61.3	87.8
0-90	4047.	69.8	100.0

LLF = .76 LLF = LIGHT LOSS FACTOR LLF = LDD X LLD X BF LDD = VERY CLEAN 0.94 CLEAN 0.90  
 LLD = 0.88 @ 40% RATED LAMP LIFE BF = 0.92 ELECTRONIC BALLAST & T-8 LAMP (RELAMP AT 70% LAMP LIFE)

# 1' x 4' 3 LAMP

## DIMENSIONS



## PHOTOMETRIC DATA

CATALOG # 1DG332-FS01-1/3-EB  
TEST # 15554 S/MH= 1.2

LAMPS = F32 T8  
BALLAST = ELECTRONIC BALLAST FACTOR = .93

LER = FL-67

COMPARATIVE YEARLY LIGHTING ENERGY COST PER 1000 LUMENS = \$3.58 BASED ON 3000 HRS. AND \$.08 PER KWH.

FIXTURE EFFICIENCY= 67.7%

CANDLEPOWER			
Angle	End	45	Cross
0	5	2538	2538
	5	2528	2527
	10	2495	2501
15	20	2439	2453
	20	2351	2378
	25	2240	2266
30	35	2101	2119
	35	1934	1927
	40	1729	1683
45	50	1491	1413
	50	1209	1154
	55	943	907
60	65	709	648
	65	504	424
	70	359	275
75	80	275	194
	80	212	165
	80	118	97

## MAINTAINED ILLUMINATION TABLE- Square Feet/Fixture\*

- 80-50-20 Reflectances (Ceiling-Wall-Floor)
- LLF = 0.77 2900 Lumens/Lamp very clean
- Room width divided by room height = 5 or more, 2 or 1

Fixture Size & # of Lamps	Room Width Room Height =	Approx. Area (sq. ft.) per Fixture				
		10 ft-c	30 ft-c	50 ft-c	70 ft-c	100 ft-c
1' X 4' 3 Lamp	5	-	-	96	68	48
	2	-	112	67	48	34
	1	-	84	50	36	-

\*Observe Fixture S/MH Requirements for Specific Applications

## AVERAGE LUMINANCE CD/SQ.M WITH 2900 LUMEN LAMPS

ANGLE	END	45°	CROSS
45	7267	6886	6799
55	5666	5450	4891
65	4110	3457	3563
75	3662	2583	3435
85	4666	3835	4349

## TYPICAL V.C.P.'s

Room Size	Mounting Height			
	Lengthwise		Crosswise	
	8.5	10	8.5	10
30x30	41	46	42	47
40x40	38	41	38	42
60x30	44	49	45	49
60x60	34	37	34	37
100x100	32	33	32	33

## COEFFICIENT OF UTILIZATION

p/c pcc pw RCR	20				70				50			
	70	50	30	70	50	30	50	30	50	30		
0	81	81	81	79	79	79	75	75	75	75		
1	73	70	68	72	69	67	67	65	67	65		
2	68	63	58	67	61	57	59	56	59	56		
3	63	56	51	60	55	51	53	48	53	48		
4	57	50	45	56	50	44	47	42	47	42		
5	54	45	40	52	45	39	42	39	42	39		
6	50	40	35	47	40	34	39	34	39	34		
7	46	38	32	45	36	32	35	30	35	30		
8	42	34	28	41	34	28	33	28	33	28		
9	40	32	26	39	30	26	30	26	30	26		
10	38	28	23	36	28	23	28	23	28	23		

## LIGHT DISTRIBUTION

DEGREES	LUMENS	% LAMP	% FIXTURE
0-30	1972	22.7	33.5
0-40	3170	36.4	53.8
0-60	5066	58.2	86.0
0-90	5888	67.7	100.0

LLF = .77 LLF = LIGHT LOSS FACTOR LLF = LDD X LLD X BF LDD = VERY CLEAN 0.94 CLEAN 0.90  
LLD = 0.88 @ 40% RATED LAMP LIFE BF = 0.93 ELECTRONIC BALLAST & T8 LAMP (RELAMP AT 70% LAMP LIFE)