

**2 Lamp F40 U6"
2, 3, or 4 Lamp 20wT12**

APPLICATION

- Premium quality recessed static troffer for:
 - Grid inverted T (NEMA "G")
 - Flange-type for concealed mechanical suspension (NEMA "F")
 - Modular and "Z" spline (NEMA "M/Z")
 - Contact Day-Brite for other ceiling types.

CONSTRUCTION/FINISH

- Die formed steel housing.
- Housing is multi-stage phosphate treated for maximum corrosion resistance and finish coat is high reflectance baked white enamel.
- Models utilizing 3 ballasts (including emergency ballast) will be supplied with a top mounted ballast box, which will increase the height of the luminaire.
- Factory installed access plate includes 7/8" hole, 7/8" knockout and grounding screw.
- T-bar grid clips (UL listed, patented) built into fixture, no extra parts required. Designed for use with standard grid ceiling members, 1-1/2" maximum height.

- One-piece housing features integral end plates that increase rigidity and minimize damage from handling or shipping.

ELECTRICAL

- Class P, HPF ballasts comply with ©Federal Ballast Law (Public Law 100-357,1988).
- UL listed for damp locations. Canadian certified optional.
- Self-contained fluorescent emergency power packs can be incorporated, UL listed for dry locations.

ENCLOSURES

- Mitered corner door frames with a choice of: Flat Steel, Flat Aluminum, or Regressed Aluminum.
- T-hinges are standard for positive support of the enclosure.
- Guide-post spring loaded latches are standard for ease of use and secure retention of the louver.
- Mechanically designed interlocks block light, no gaskets are needed.
- Prismatic acrylic pattern 12 lens standard (01). Other lenses or louvers optional.
- Choice of door finishes: white (standard) or black.

CATALOG NUMBER

2											
WIDTH	CEILING TYPE	LAMP TYPE/WATTAGE	LENS	VOLTAGE	FIXTURE FAMILY	NO. OF LAMPS	DOOR FRAME	DOOR FINISH	OPTIONS		
2 – 2'	F – Flange G – Grid Z – Z Spline/Modular	20 – 20wT12 (24") 40U6 – 40wT12 6" (24")	01 – Pattern 12 prismatic acrylic 12 – DB-12, .125" nominal 19 – DB-19, .156" nominal 21 – Pattern 12, .125" nominal 30 – 1/2"x1/2"x1/2" silver plastic louver 34 – 1-1/2"x1-1/2"x1-1/2" silver plastic louver 52 – 3/4"x3/4"x1/2" silver plastic louver 93 – drop dish acrylic See Sheet 401.1-SR for other options.	120 277 347	DP – Designer DPC – Canadian Certified Model	(not included) 2 3 – 20 only 4 – 20 only	STATIC FS – Flat Steel FA – Flat Aluminum RA – Regressed Aluminum TFS – Tamperproof Flat Steel (See spec. sheet 710.1-SA for information on the Vandal Resistant Designer)	BLANK – White Door B – Black Door	See Section 1600-OA for Option Info. PAF – Housing painted after fabrication		

NOTES:

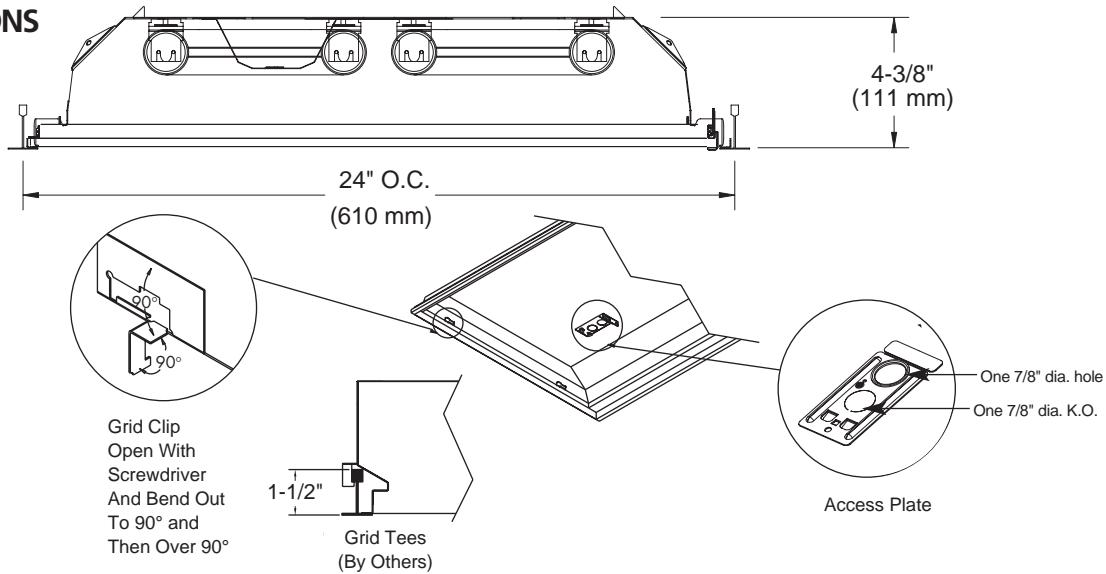
- With generic Electronic Ballasts (Brand selected by Day-Brite)
Suffix Catalog # with – **Ballast Quantity** – / – **EB Lamps Per Ballast**.

Example: -1/2-EB = One 2 Lamp Electronic Ballast.
Example: -1/3-EB = One 2 Lamp Electronic Ballast.

Example: -1/21-EB = One 2 Lamp Electronic Ballast and One 1 Lamp Electronic Ballast.

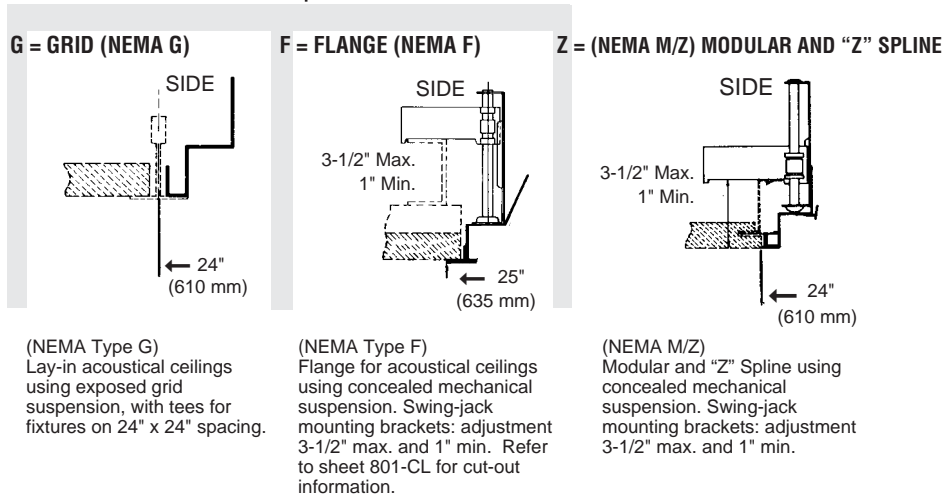
2' x 2' 2 LAMP

DIMENSIONS



2 DP G 2 40U6

CEILING TYPE



PHOTOMETRIC DATA

CATALOG # 2DPG240U6-FS01
TEST # 22689 S/MH = 1.3

LAMPS = FB40U6
BALLAST = ESB

INPUT WATTS = 71
BALLAST FACTOR = .88

LER = FL-42

COMPARATIVE YEARLY LIGHTING ENERGY COST PER 1000 LUMENS = \$5.71 BASED ON 3000 HRS. AND \$.08 PER KWH.

FIXTURE EFFICIENCY = 71.7%

CANDLEPOWER				
Angle	End	45	Cross	
0	1400	1400	1400	
5	1391	1393	1403	
10	1368	1376	1391	
15	1331	1347	1371	
20	1277	1306	1340	
25	1207	1247	1292	
30	1120	1172	1222	
35	1021	1072	1128	
40	906	944	1000	
45	769	807	850	
50	630	675	702	
55	504	543	567	
60	380	397	437	
65	284	266	317	
70	217	169	224	
75	172	122	161	
80	130	100	117	
85	68	56	60	

MAINTAINED ILLUMINATION TABLE- Square Feet/Fixture*

- 80-50-20 Reflectances (Ceiling-Wall-Floor)
- LLF = 0.75 2350 Lumens/Lamp very clean
- Room width divided by room height = 5 or more, 2 or 1

Fixture Size & # of Lamps	Room Width Room Height =	Approx. Area (sq. ft.) per Fixture				
		10 ft-c	30 ft-c	50 ft-c	70 ft-c	100 ft-c
2' X 2'	5	-	89	53	38	-
2 Lamp	2	-	62	37	-	-
	1	139	46	-	-	-

*Observe Fixture S/MH Requirements for Specific Applications

AVERAGE LUMINANCE CD/SQ.M WITH 2350 LUMEN LAMPS

ANGLE	END	45°	CROSS
45	3523	3697	3894
55	2846	3067	3202
65	2177	2039	2430
75	2153	1527	2015
85	2527	2081	2230

TYPICAL V.C.P.'s

Room Size	Mounting Height Lengthwise Crosswise			
	8.5	10	8.5	10
30x30	55	60	55	59
40x40	51	55	51	55
60x30	57	62	57	61
60x60	47	50	48	50
100x100	44	46	46	47

COEFFICIENT OF UTILIZATION

pfc pcc pw	20						70						50					
	70	50	30	70	50	30	50	30	70	50	30	50	30	70	50	30		
RCR																		
0	84	84	84	82	82	82	80	80	80	80	80	80	80	80	80	80	80	
1	79	75	72	77	73	70	70	68	70	68	68	68	68	68	68	68	68	
2	71	67	61	69	65	60	63	58	63	58	58	58	58	58	58	58	58	
3	66	58	54	64	57	53	56	52	56	52	52	52	52	52	52	52	52	
4	60	53	46	58	52	46	50	45	50	45	45	45	45	45	45	45	45	
5	56	47	40	55	46	40	45	40	45	40	40	40	40	40	40	40	40	
6	52	42	36	51	41	36	40	35	40	35	35	35	35	35	35	35	35	
7	47	39	33	46	39	33	38	32	38	32	32	32	32	32	32	32	32	
8	45	35	29	44	34	29	34	28	34	28	28	28	28	28	28	28	28	
9	41	33	27	40	33	27	32	27	32	27	27	27	27	27	27	27	27	
10	40	30	25	39	29	25	29	25	29	25	25	25	25	25	25	25	25	

LIGHT DISTRIBUTION

DEGREES	LUMENS	% LAMP	% FIXTURE
0-30	1088	23.2	32.3
0-40	1757	37.4	52.1
0-60	2859	60.8	84.8
0-90	3369	71.7	100.0

LLF = .75 LLF = LIGHT LOSS FACTOR LLF = LDD X LLD X BF LDD = VERY CLEAN 0.94 CLEAN 0.90
LLD = 0.91 @ 40% RATED LAMP LIFE BF = 0.88 ESB BALLAST & FB40U6 LAMP (RELAMP AT 70% LAMP LIFE)

403.1-SR

DAY-BRITE LIGHTING • www.daybritelighting.com
776 South Green Street • Tupelo, Mississippi 38804 • PH: (662) 842-7212 • FAX: (662) 841-5501
CANADIAN DIVISION
189 Bullock Drive • Markham, Ontario L3P 1W4 • PH: (905) 294-9570 • FAX: (905) 294-9811

©2002 DAY-BRITE LIGHTING
DB 08-02-3.5M
DAY-BRITE RESERVES THE RIGHT TO
MAKE CHANGES WITHOUT NOTICE.

Genlyte Thomas Group