

2 or 3 Lamp T8 U1-5/8"
2 Lamp T8U6"
2, 3, or 4 Lamp 17wT8

APPLICATION

- Premium quality recessed static troffer for:
 - Grid inverted T (NEMA "G")
 - Flange-type for concealed mechanical suspension (NEMA "F")
 - Modular and "Z" spline (NEMA "M/Z")
 - Contact Day-Brite for other ceiling types.

CONSTRUCTION/FINISH

- Die formed steel housing.
- Housing is multi-stage phosphate treated for maximum corrosion resistance and finish coat is high reflectance baked white enamel.
- Factory installed access plate includes 7/8" hole, 7/8" knockout and grounding screw.
- T-bar grid clips (UL listed, patented) built into fixture, no extra parts required. Designed for use with standard grid ceiling members, 1-1/2" maximum height.
- One-piece housing features integral end plates that increase rigidity and minimize damage from handling or shipping.

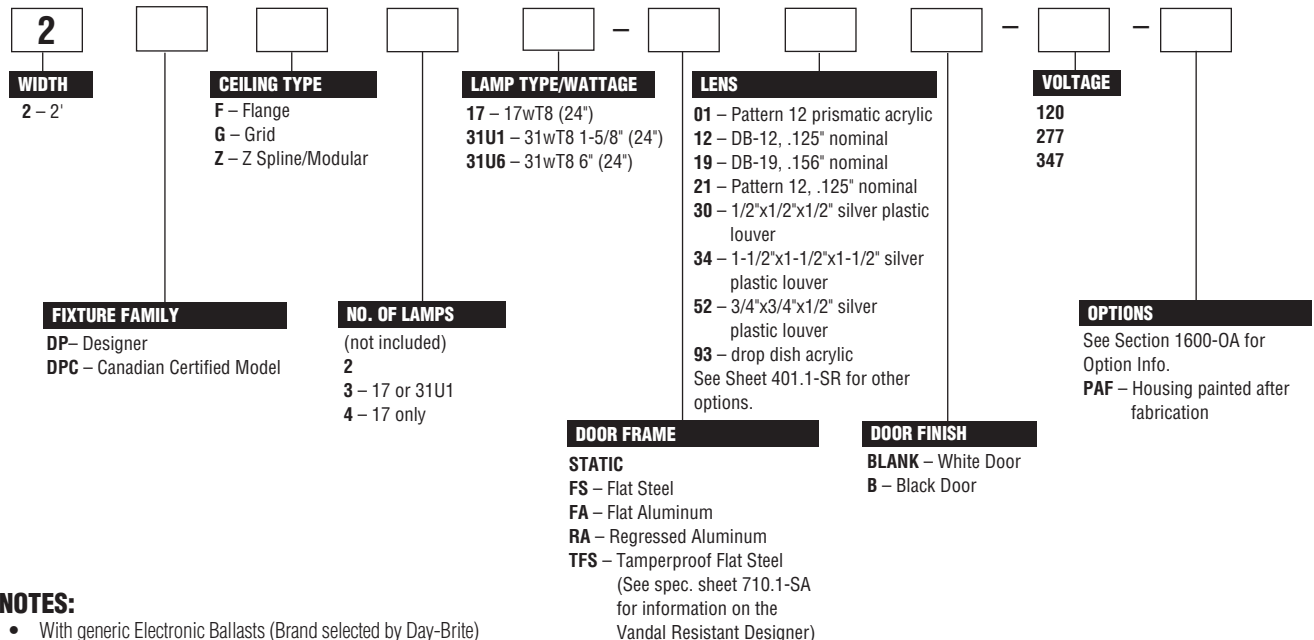
ELECTRICAL

- Class P, HPF ballasts comply with Federal Ballast Law (Public Law 100-357, 1988).
- UL listed for damp locations. Canadian certified optional.
- Self-contained fluorescent emergency power packs can be incorporated, UL listed for dry locations.

ENCLOSURES

- Mitered corner door frames with a choice of: Flat Steel, Flat Aluminum, or Regressed Aluminum.
- T-hinges are standard for positive support of the enclosure.
- Guide-post spring loaded latches are standard for ease of use and secure retention of the louver.
- Mechanically designed interlocks block light, no gaskets are needed.
- Prismatic acrylic pattern 12 lens standard (01). Other lenses or louvers optional.
- Choice of door finishes: white (standard) or black.

CATALOG NUMBER



NOTES:

- With generic Electronic Ballasts (Brand selected by Day-Brite)
 Suffix Catalog # with - **Ballast Quantity** - / - **EB** **Lamps Per Ballast**.

Example: -1/2-EB = One 2 Lamp Electronic Ballast.

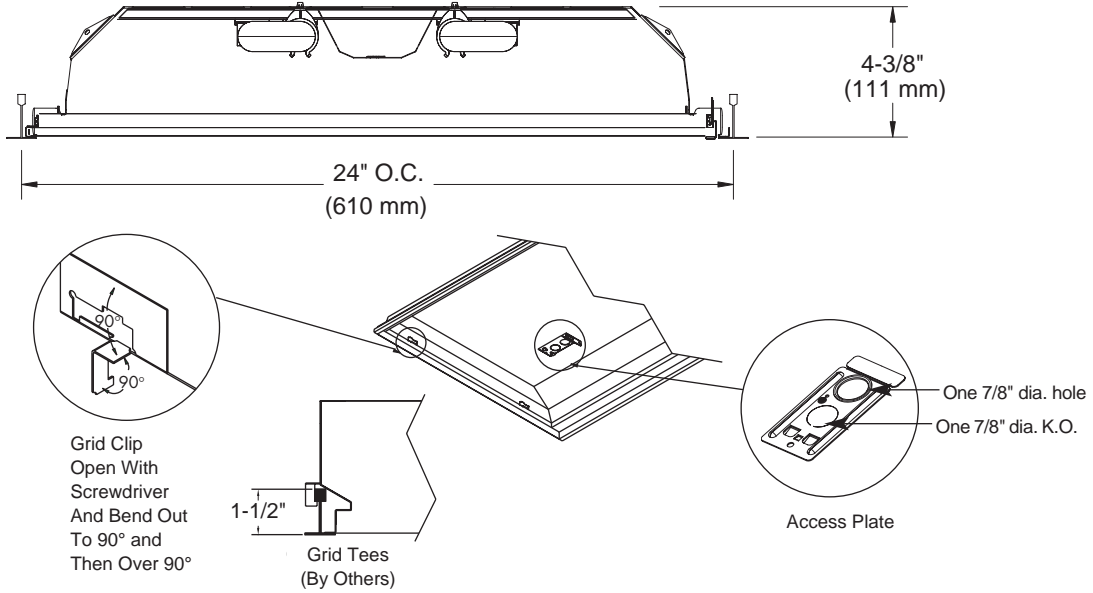
Example: -1/21-EB = One 2 Lamp Electronic Ballast and One 1 Lamp Electronic Ballast.

Example: -1/3-EB = One 2 Lamp Electronic Ballast.

2' x 2' 2 LAMP



DIMENSIONS



PHOTOMETRIC DATA

CATALOG # 2DPG231U1-FS01-1/2-EB LAMPS = FB31U1 INPUT WATTS = 54
 TEST #22804 S/MH = 1.3 BALLAST = ELECTRONIC BALLAST FACTOR = .88

LER = FL-75

COMPARATIVE YEARLY LIGHTING ENERGY COST PER 1000 LUMENS = \$3.20 BASED ON 3000 HRS. AND \$.08 PER KWH.

FIXTURE EFFICIENCY = 82.3%

CANDLEPOWER			
Angle	End	45	Cross
0	1851	1851	1851
5	1848	1839	1846
10	1819	1819	1834
15	1759	1772	1803
20	1699	1735	1784
25	1605	1667	1742
30	1491	1578	1682
35	1358	1463	1593
40	1201	1304	1451
45	1022	1124	1251
50	843	959	1031
55	668	770	827
60	512	561	614
65	383	371	437
70	294	235	314
75	237	170	223
80	177	139	164
85	92	79	87

MAINTAINED ILLUMINATION TABLE- Square Feet/Fixture*

- 80-50-20 Reflectances (Ceiling-Wall-Floor)
- LLF = 0.76 2800 Lumens/Lamp very clean
- Room width divided by room height = 5 or more, 2 or 1

Fixture Size & # of Lamps	Room Width Room Height =	Approx. Area (sq. ft.) per Fixture				
		10 ft-c	30 ft-c	50 ft-c	70 ft-c	100 ft-c
2 x 2	5	-	123	74	53	37
2 lamp	2	-	86	52	37	-
	1	-	64	38	-	-

*Observe Fixture S/MH Requirements for Specific Applications

AVERAGE LUMINANCE CD/SQ.M WITH 2800 LUMEN LAMPS

ANGLE	END	45°	CROSS
45	4682	5149	5731
55	3773	4349	4671
65	2936	2844	3350
75	2966	2128	2791
85	2419	2936	3234

TYPICAL V.C.P.'s

Room Size	Mounting Height			
	8.5	10	8.5	10
30x30	47	52	46	51
40x40	43	47	43	46
60x30	49	54	49	53
60x60	39	42	39	42
100x100	37	38	38	39

COEFFICIENT OF UTILIZATION

pfc pec pw	20				70				50			
	70	50	30		70	50	30		50	30		
RCR												
0	97	97	97		95	95	95		91	91		
1	90	85	82		88	84	81		81	79		
2	82	76	70		81	75	69		71	68		
3	76	68	60		73	66	60		64	58		
4	69	59	54		68	58	53		56	52		
5	64	54	46		63	53	46		52	46		
6	59	48	41		57	47	41		46	40		
7	55	45	38		54	44	36		42	36		
8	52	40	34		50	40	34		39	33		
9	47	38	30		46	36	30		35	29		
10	45	34	28		44	34	28		34	28		

LIGHT DISTRIBUTION

DEGREES	LUMENS	% LAMP	% FIXTURE
0-30	1449	25.9	31.4
0-40	2363	42.2	51.3
0-60	3905	69.7	84.7
0-90	4609	82.3	100.0

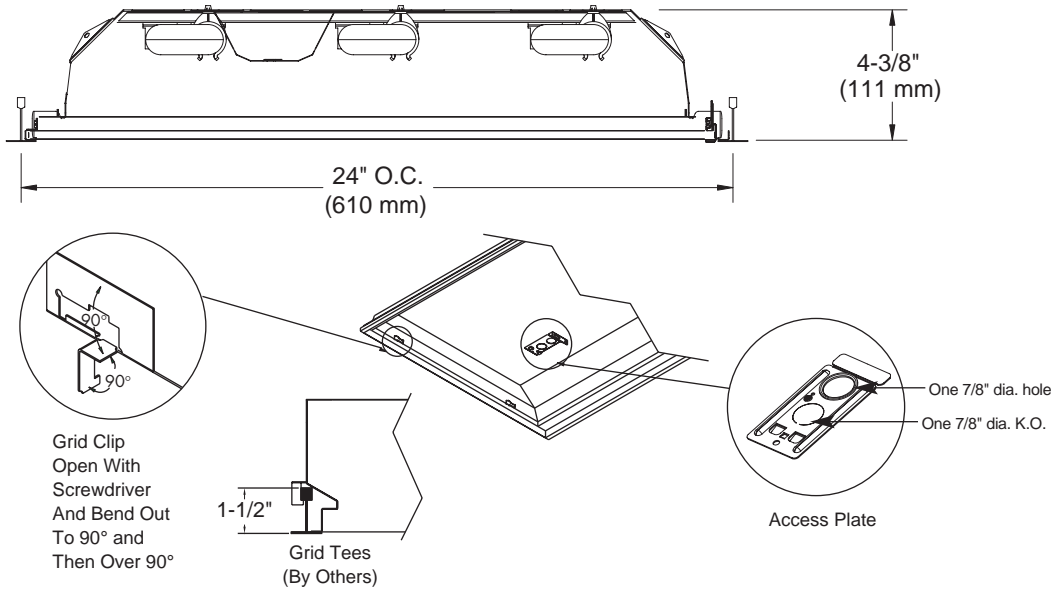
LLF = .76 LLF = LIGHT LOSS FACTOR LLF = LDD X LLD X BF LDD = VERY CLEAN 0.94 CLEAN 0.90
 LLD = 0.92 @ 40% RATED LAMP LIFE BF = 0.88 ELECTRONIC BALLAST & FB31U1 (RELAMP AT 70% LAMP LIFE)

FOR ADDITIONAL PHOTOMETRIC TESTS ON F17-T8 FIXTURES ASK FOR TEST #'S:

Catalog #	Test #
2DPG217-FS01-1/2-EB	22862
2DPG317-FS01-1/3-EB	22833
2DPG417-FS01-1/4-EB	22866

PHOTOMETRIC TESTS ARE ALSO AVAILABLE ON-LINE @ www.daybritelighting.com

DIMENSIONS



PHOTOMETRIC DATA

CATALOG # 2DPG331U1-FS01-1/3-EB LAMPS = FB31U1 INPUT WATTS = 77
 TEST #22814 S/MH = 1.3 BALLAST = ELECTRONIC BALLAST FACTOR = .88

LER = FL-72

COMPARATIVE YEARLY LIGHTING ENERGY COST PER 1000 LUMENS = \$3.33 BASED ON 3000 HRS. AND \$.08 PER KWH.

FIXTURE EFFICIENCY = 75.5%

CANDLEPOWER			
Angle	End	45	Cross
0	2657	2657	2657
5	2645	2645	2645
10	2604	2615	2625
15	2531	2561	2591
20	2430	2480	2532
25	2295	2374	2449
30	2131	2231	2322
35	1937	2044	2146
40	1705	1794	1900
45	1447	1535	1615
50	1189	1273	1310
55	941	999	1042
60	706	728	789
65	525	481	572
70	407	311	407
75	325	228	295
80	243	183	214
85	128	102	110

MAINTAINED ILLUMINATION TABLE- Square Feet/Fixture*

■ 80-50-20 Reflectances (Ceiling-Wall-Floor)
 ■ LLF = 0.76 2800 Lumens/Lamp very clean
 ■ Room width divided by room height = 5 or more, 2 or 1

Fixture Size & # of Lamps	Room Width Room Height =	Approx. Area (sq. ft.) per Fixture			
		10 ft-c	30 ft-c	50 ft-c	70 ft-c
2' X 2' 3-Lamp	5 2 1	- -	102 71	73 51	51 36
			88 53		

*Observe Fixture S/MH Requirements for Specific Applications

AVERAGE LUMINANCE CD/SQ.M WITH 2800 LUMEN LAMPS

ANGLE	END	45°	CROSS
45	6629	7032	7398
55	5314	5642	5885
65	4024	3687	4384
75	4068	2854	3692
85	4757	3791	4088

TYPICAL V.C.P.'s

Room Size	Mounting Height			
	Lengthwise	Crosswise	8.5	10
30x30	39	44	39	44
40x40	39	39	36	40
60x60	42	47	42	46
60x60	32	35	33	36
100x100	30	32	32	33

COEFFICIENT OF UTILIZATION

pfc pcc pw	20				70				50			
	80	30	70	50	30	70	50	30	50	30	50	30
RCR 0	90	90	90	88	88	88	83	83	83	83	83	83
1	82	79	76	81	78	75	75	71	71	71	71	71
2	76	69	65	73	68	64	66	63	63	63	63	63
3	69	61	56	68	60	56	58	54	54	54	54	54
4	64	56	50	63	55	48	53	47	47	47	47	47
5	58	50	44	57	48	42	47	42	42	42	42	42
6	55	46	39	54	45	39	42	38	38	38	38	38
7	51	40	34	50	40	34	40	34	34	34	34	34
8	47	38	32	46	36	32	36	30	30	30	30	30
9	45	34	28	44	34	28	34	28	28	28	28	28
10	41	32	27	40	32	26	30	26	26	26	26	26

LIGHT DISTRIBUTION

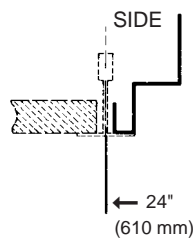
DEGREES	LUMENS	% LAMP	% FIXTURE
0-30	2067	24.6	32.6
0-40	3338	39.7	52.6
0-60	5403	64.3	85.2
0-90	6342	75.5	100.0

LLF = .76 LLF = LIGHT LOSS FACTOR LLF = LDD X LLD X BF LDD = VERY CLEAN 0.94 CLEAN 0.90
 LLD = 0.92 @ 40% RATED LAMP LIFE BF = 0.88 ELECTRONIC BALLAST & FB31U1 LAMP (RELAMP AT 70% LAMP LIFE)

2 DP G 2 31U1

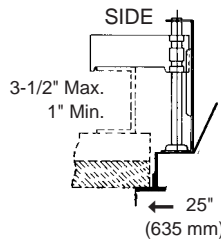
CEILING TYPE

G = GRID (NEMA G)



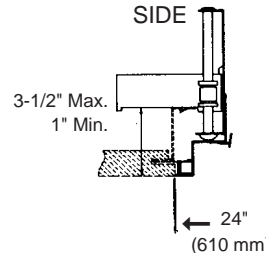
(NEMA Type G) Lay-in acoustical ceilings using exposed grid suspension, with tees for fixtures on 24" x 24" spacing.

F = FLANGE (NEMA F)



(NEMA Type F) Flange for acoustical ceilings using concealed mechanical suspension. Swing-jack mounting brackets: adjustment 3-1/2" max. and 1" min. Refer to sheet 801-CL for cut-out information.

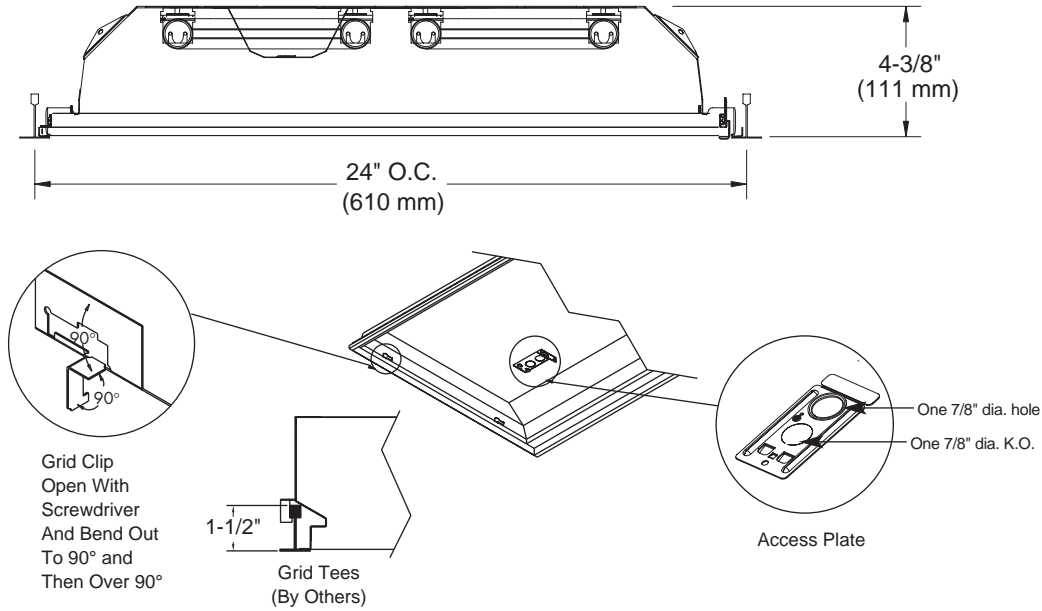
Z = (NEMA M/Z) MODULAR AND "Z" SPLINE



(NEMA M/Z) Modular and "Z" Spline using concealed mechanical suspension. Swing-jack mounting brackets: adjustment 3-1/2" max. and 1" min.

2 x 2

DIMENSIONS



PHOTOMETRIC DATA

CATALOG # 2DPG231U6-FS01-1/2-EB
TEST #22784 S/MH = 1.3

LAMPS = FB032T8/6
BALLAST = ELECTRONIC

INPUT WATTS = 55
BALLAST FACTOR = .88

LER = FL-69

COMPARATIVE YEARLY LIGHTING ENERGY COST PER 1000 LUMENS = \$3.48 BASED ON 3000 HRS. AND \$.08 PER KWH.

FIXTURE EFFICIENCY = 76.5%

CANDLEPOWER				
Angle	End	45	Cross	
0	1752	1752	1752	
5	1738	1747	1751	
10	1710	1727	1739	
15	1665	1695	1719	
20	1598	1647	1687	
25	1511	1578	1635	
30	1403	1488	1558	
35	1283	1371	1444	
40	1143	1211	1295	
45	972	1036	1105	
50	799	867	914	
55	641	694	741	
60	484	510	570	
65	362	338	404	
70	278	217	286	
75	221	156	205	
80	166	127	149	
85	84	70	78	

MAINTAINED ILLUMINATION TABLE- Square Feet/Fixture*

- 80-50-20 Reflectances (Ceiling-Wall-Floor)
- LLF = 0.74 2800 Lumens/Lamp very clean
- Room width divided by room height = 5 or more, 2 or 1

Fixture Size & # of Lamps	Room Width Room Height =	Approx. Area (sq. ft.) per Fixture				
		10 ft-c	30 ft-c	50 ft-c	70 ft-c	100 ft-c
2 Lamp 31U6	5	-	112	67	48	34
	2	-	78	47	34	-
	1	-	58	35	-	-

*Observe Fixture S/MH Requirements for Specific Applications

AVERAGE LUMINANCE CD/SQ.M WITH 2800 LUMEN LAMPS

ANGLE	END	45°	CROSS
45	4453	4746	5062
55	3620	3919	4185
65	2775	2591	3097
75	2766	1952	2566
85	3122	2602	2899

TYPICAL V.C.P.'s

Room Size	Mounting Height		8.5	10
	Lengthwise	Crosswise		
30x30	49	54	49	53
40x40	45	49	45	49
60x30	52	56	51	56
60x60	41	44	42	44
100x100	39	41	40	41

COEFFICIENT OF UTILIZATION

pfc pcc pw	20			70			50		
	70	50	30	70	50	30	50	30	
RCR									
0	91	91	91	89	89	89	84	84	
1	83	81	77	81	79	76	76	72	
2	77	70	66	75	69	65	67	63	
3	70	63	56	68	61	56	59	55	
4	65	56	50	63	55	48	53	47	
5	59	51	44	57	50	44	47	42	
6	56	46	39	54	45	39	44	38	
7	52	41	34	50	40	34	40	34	
8	47	38	32	46	38	32	36	30	
9	45	34	28	44	34	28	34	28	
10	41	33	27	40	32	27	30	26	

LIGHT DISTRIBUTION

DEGREES	LUMENS	% LAMP	% FIXTURE
0-30	1370	24.5	32.0
0-40	2222	39.7	51.8
0-60	3638	65.0	84.8
0-90	4287	76.5	100.0

LLF = .74 LLF = LIGHT LOSS FACTOR LLF = LDD X LLD X BF LDD = VERY CLEAN 0.94 CLEAN 0.90
LLD = 0.90 @ 40% RATED LAMP LIFE BF = 0.88 ELECTRONIC BALLAST & T8 LAMP (RELAMP AT 70% LAMP LIFE)

405.1-SR

DAY-BRITE LIGHTING • www.daybriteighting.com
776 South Green Street • Tupelo, Mississippi 38804 • PH: (662) 842-7212 • FAX: (662) 841-5501
CANADIAN DIVISION
189 Bullock Drive • Markham, Ontario L3P 1W4 • PH: (905) 294-9570 • FAX: (905) 294-9811

©2002 DAY-BRITE LIGHTING
DB 08-02-3.5M
DAY-BRITE RESERVES THE RIGHT TO
MAKE CHANGES WITHOUT NOTICE.