

**1, 2, or 3 Lamp
T8 or T12
Prismatic Acrylic Lens**

CONSTRUCTION/FINISH

- Quality recessed troffer for the following “NEMA” ceiling types: NEMA “G”-Grid, NEMA “NFSG”-Narrow Faced Slot Grid, NEMA “GR”-Grid Regressed, NEMA “NFG”-Narrow Faced Grid, NEMA “F”-Flange.
- Field assembled and installed “F” mounting Frame adapts fixture for use in NEMA “F” ceilings requiring flanges.
- Housing is multi-stage phosphate treated for maximum corrosion resistance and finish coat is high reflectance baked white enamel.
- Troffer body die-formed CR steel with reinforcing ribs for rigidity.
- 7/8" K.O.'s provided in each end cap and quick wire access plate in housing top with two 7/8" K.O.'s provided.
- Snap on wireway cover.
- T-bar grid clips (UL listed and patented) built into fixture end plates, no extra parts required.
- Low profile body minimizes clearance required.
- All units have wire hanger tabs for independent wire suspension.

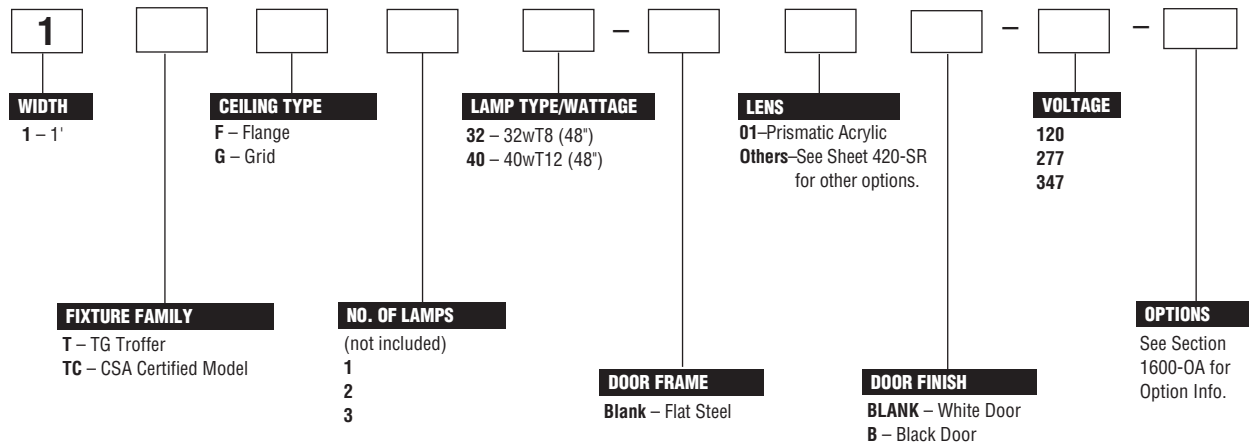
ELECTRICAL

- Class P, HPF, CBM certified ballasts comply with ©Federal Ballast Law (Public Law 100-357, 1988).
- UL listed, suitable for damp locations. C.S.A. certified optional.
- Self-contained fluorescent emergency power packs can be incorporated. UL listed for dry locations.
- No exposed internal wiring.

ENCLOSURES

- Flat steel door frame has mitered corners.
- Hinged and latched (from either side) door frame.
- Mechanically designed interlocks eliminate light leaks, no gaskets are needed.
- White (standard) or black (optional) door frames available.
- Diffuser is clear color stabilized 100% prismatic acrylic.

CATALOG NUMBER



NOTES:

- With generic Electronic Ballasts (Brand selected by Day-Brite)
Suffix Catalog # with- **Ballast Quantity** - / - **EB Lamps Per Ballast.**

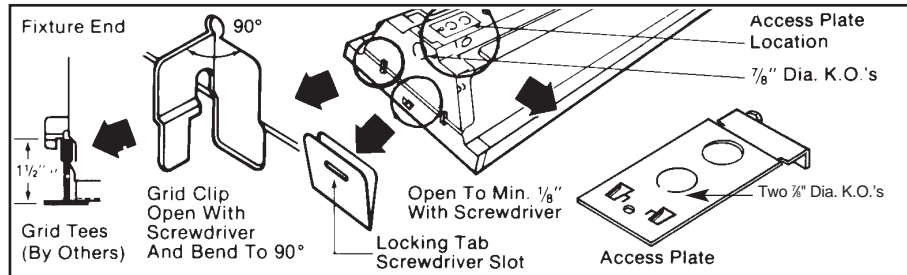
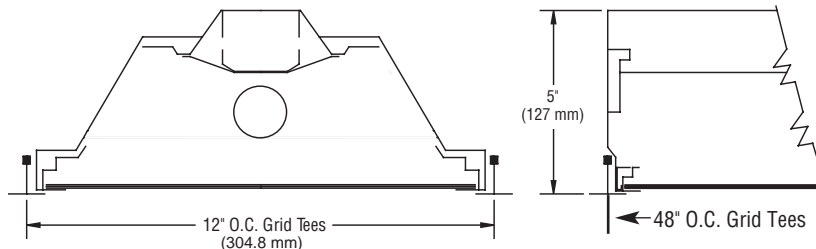
Example: -1/2-EB = One 2 Lamp Electronic Ballast.

Example: -1/3-EB = One 3 Lamp Electronic Ballast.

Example: -1/21-EB = One 2 Lamp Electronic Ballast and One 1 Lamp Electronic Ballast.

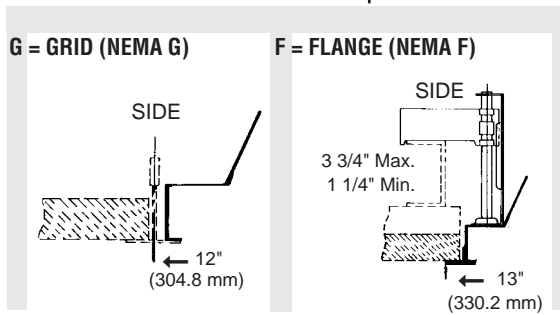
1' x 4' 1 LAMP

DIMENSIONS



1 D G 1 32 -

CEILING TYPE



G = GRID (NEMA G)
Lay-in acoustical ceilings using exposed grid suspension, with tees for fixtures on 12" x 48" spacing.

F = FLANGE (NEMA F)
Flange for acoustical ceilings using concealed mechanical suspension. Swing-jack mounting brackets: adjustment 3 3/4" max. and 1 1/4" min.

PHOTOMETRIC DATA

CATALOG # 1TG132-01-1/1-EB
TEST # 15549 S/MH= 1.4

LAMPS = F32 T8
BALLAST = ELECTRONIC

INPUT WATTS = 35
BALLAST FACTOR = 1.00

LER = FL-65

COMPARATIVE YEARLY LIGHTING ENERGY COST PER 1000 LUMENS = **\$3.69** BASED ON 3000 HRS. AND \$.08 PER KWH.

FIXTURE EFFICIENCY = 78.1%

CANDLEPOWER				
Angle	End	45	Cross	
0	846	846	846	
5	843	845	843	
10	832	840	844	
15	814	832	845	
20	786	819	842	
25	750	799	834	
30	705	789	828	
35	655	732	806	
40	589	666	746	
45	514	586	645	
50	423	501	514	
55	335	400	379	
60	258	289	272	
65	192	190	194	
70	140	117	142	
75	106	81	110	
80	81	68	84	
85	44	40	46	

MAINTAINED ILLUMINATION TABLE- Square Feet/Fixture*

- 80-50-20 Reflectances (Ceiling-Wall-Floor)
- LLF = 0.83 2900 Lumens/Lamp very clean
- Room width divided by room height = 5 or more, 2 or 1

Fixture Size & # of Lamps	Room Width Room Height =	Approx. Area (sq. ft.) per Fixture			
		10 ft-c	30 ft-c	50 ft-c	70 ft-c
1' X 4'	5	-	66	39	-
1 Lamp	2	137	46	-	-
	1	101	34	-	-

*Observe Fixture S/MH Requirements for Specific Applications

AVERAGE LUMINANCE CD/SQ.M WITH 2900 LUMEN LAMPS				
ANGLE	END	45°	CROSS	
45	2505	2856	3144	
55	2013	2403	2277	
65	1566	1549	1582	
75	1411	1079	1465	
85	1740	1582	1819	

TYPICAL V.C.P.'s Room Mounting Height				
Room Size	Lengthwise	10	8.5	10
30x30	63	68	62	67
40x40	60	63	59	62
60x30	66	69	65	69
60x60	56	59	55	58
100x100	53	55	52	54

COEFFICIENT OF UTILIZATION

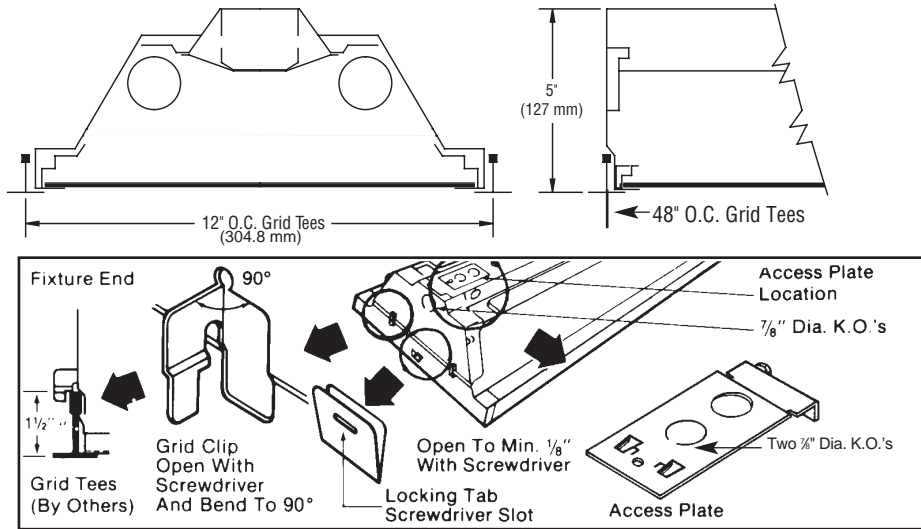
pfc pec pw RCR	20			70			50		
	80	30	30	70	50	30	50	30	
0	93	93	93	91	91	91	86	86	
1	85	81	79	82	80	77	77	75	
2	78	71	67	76	70	66	68	64	
3	71	64	57	69	63	56	60	56	
4	66	56	51	64	56	50	54	48	
5	60	51	45	58	50	44	48	42	
6	56	46	40	55	46	39	44	38	
7	52	41	34	51	40	34	40	34	
8	48	38	32	47	38	32	36	30	
9	46	34	28	44	34	28	34	28	
10	42	33	27	41	32	26	30	26	

LIGHT DISTRIBUTION

DEGREES	LUMENS	% LAMP	% FIXTURE
0-30	682	23.5	30.1
0-40	1137	39.2	50.2
0-60	1922	66.3	84.8
0-90	2266	78.1	100.0

LLF = .83 LLF = LIGHT LOSS FACTOR LLD = LDD X LLD X BF LDD = VERY CLEAN 0.94 CLEAN 0.90
LLD = 0.88 @ 40% RATED LAMP LIFE BF = 1.00 ELECTRONIC BALLAST & T8 LAMP (RELAMP AT 70% LAMP LIFE)

DIMENSIONS



PHOTOMETRIC DATA

CATALOG # 1TG232-01-1/2-EB
TEST #15184 S/MH=1.2

LAMPS = F32 T8
BALLAST = ELECTRONIC

INPUT WATTS = 59
BALLAST FACTOR = .92

LER = FL-63

COMPARATIVE YEARLY LIGHTING ENERGY COST PER 1000 LUMENS = **\$3.81** BASED ON 3000 HRS. AND \$.08 PER KWH.

FIXTURE EFFICIENCY= 69.8%

CANDLEPOWER			
Angle	End	45	Cross
0	1838	1838	1838
5	1834	1835	1821
10	1811	1811	1796
15	1771	1769	1755
20	1711	1706	1682
25	1635	1616	1569
30	1528	1487	1415
35	1400	1331	1259
40	1243	1149	1109
45	1054	958	935
50	844	764	718
55	638	577	522
60	462	407	378
65	333	277	283
70	241	189	222
75	177	141	180
80	128	110	133
85	67	60	68

MAINTAINED ILLUMINATION TABLE- Square Feet/Fixture*

- 80-50-20 Reflectances (Ceiling-Wall-Floor)
- LLF = 0.76 2900 Lumens/Lamp very clean
- Room width divided by room height = 5 or more, 2 or 1

Fixture Size & # of Lamps	Room Width Room Height =	Approx. Area (sq. ft.) per Fixture				
		10 ft-c	30 ft-c	50 ft-c	100 ft-c	
2-Lamp 32W T8	5	-	109	66	47	33
	2	-	78	47	34	-
	1	169	57	34	-	-

*Observe Fixture S/MH Requirements for Specific Applications

AVERAGE LUMINANCE CD/SQ.M WITH 2900 LUMEN LAMPS			
ANGLE	END	45°	CROSS
45	5579	5070	4949
55	4162	3764	3406
65	2948	2452	2505
75	2557	2037	2601
85	2868	2569	2911

TYPICAL V.C.P.'s				
Room Size	Mounting Height		Crosswise	
	8.5	10	8.5	10
30x30	49	54	49	55
40x40	46	49	45	49
60x30	52	56	52	57
60x60	42	45	42	44
100x100	41	42	41	41

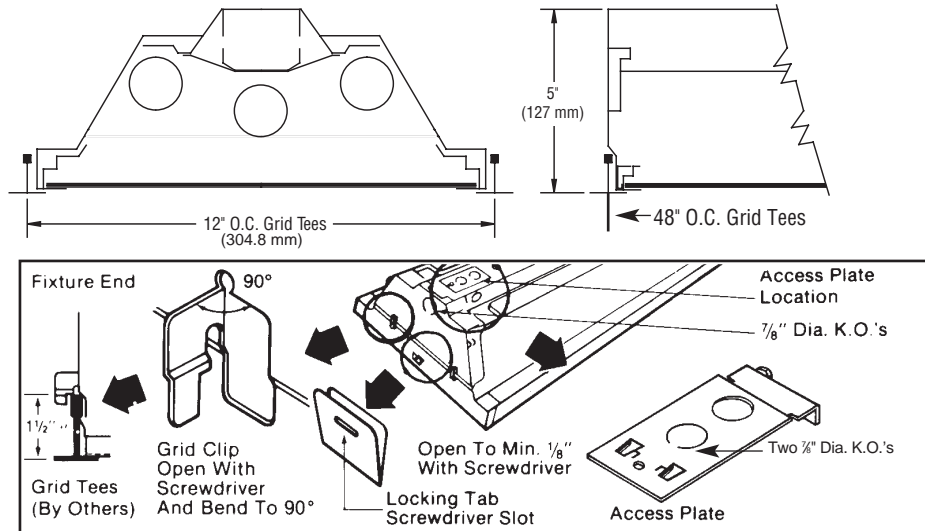
COEFFICIENT OF UTILIZATION									
pfc	20			50					
	80	70	30	70	50	30			
pc	70	50	30	70	50	30			
pw									
RCR	0	83	83	83	81	81	81	77	77
	1	77	74	72	75	73	70	70	68
	2	71	66	62	70	65	61	63	60
	3	66	60	55	64	59	54	57	53
	4	61	54	48	60	53	48	51	47
	5	56	48	43	55	48	42	46	41
	6	52	44	38	51	43	38	42	37
	7	48	40	34	47	39	34	38	33
	8	45	36	30	43	35	30	34	29
	9	41	32	27	40	32	26	31	26
	10	38	29	24	37	29	24	28	23

LIGHT DISTRIBUTION			
DEGREES	LUMENS	% LAMP	% FIXTURE
0-30	1513.	26.1	37.4
0-40	2342.	40.4	57.9
0-60	3554.	61.3	87.8
0-90	4047.	69.8	100.0

LLF = .76 LLF = LIGHT LOSS FACTOR LLF = LDD X LLD X BF LDD = VERY CLEAN 0.94 CLEAN 0.90
LLD = 0.88 @ 40% RATED LAMP LIFE BF = 0.92 ELECTRONIC BALLAST & T-8 LAMP (RELAMP AT 70% LAMP LIFE)

1' X 4' 3 LAMP

DIMENSIONS



PHOTOMETRIC DATA

CATALOG # 1TG332-01-1/3-EB
TEST # 15554 S/MH= 1.2

LAMPS = F32 T8
BALLAST = ELECTRONIC BALLAST FACTOR = .93

LER = FL-67

COMPARATIVE YEARLY LIGHTING ENERGY COST PER 1000 LUMENS = \$3.58 BASED ON 3000 HRS. AND \$.08 PER KWH.

FIXTURE EFFICIENCY= 67.7%

CANDLEPOWER			
Angle	End	45	Cross
0	2538	2538	2538
5	2528	2527	2527
10	2495	2501	2504
15	2439	2453	2466
20	2351	2378	2387
25	2240	2286	2266
30	2101	2119	2107
35	1934	1927	1910
40	1729	1683	1671
45	1491	1413	1395
50	1209	1154	1096
55	943	907	814
60	709	648	592
65	504	424	437
70	359	275	326
75	275	194	258
80	212	165	199
85	118	97	110

MAINTAINED ILLUMINATION TABLE- Square Feet/Fixture*						
<ul style="list-style-type: none"> 80-50-20 Reflectances (Ceiling-Wall-Floor) LLF = 0.77 2900 Lumens/Lamp very clean Room width divided by room height = 5 or more, 2 or 1 						
Fixture Size & # of Lamps	Room Width Room Height =	Approx. Area (sq. ft.) per Fixture				
		10 ft-c	30 ft-c	50 ft-c	70 ft-c	100 ft-c
1' X 4' 3 Lamp	5 2	- -	- 112	96 67	68 48	48 34
	1	-	84	50	36	-

*Observe Fixture S/MH Requirements for Specific Applications

AVERAGE LUMINANCE CD/SQ.M WITH 2900 LUMEN LAMPS			
ANGLE	END	45°	CROSS
45	7267	6886	6799
55	5666	5450	4891
65	4110	3457	3563
75	3662	2583	3435
85	4666	3835	4349

Room Size	TYPICAL V.C.P.'s Mounting Height			
	Lengthwise		Crosswise	
	8.5	10	8.5	10
30x30	41	46	42	47
40x40	38	41	38	42
60x30	44	49	45	49
60x60	34	37	34	37
100x100	32	33	32	33

LLF = .77 LLF = LIGHT LOSS FACTOR LLF = LDD X LLD X BF LDD = VERY CLEAN 0.94 CLEAN 0.90
LLD = 0.88 @ 40% RATED LAMP LIFE BF = 0.93 ELECTRONIC BALLAST & T8 LAMP (RELAMP AT 70% LAMP LIFE)

COEFFICIENT OF UTILIZATION						
pfc pcc pw RCR	20		70		50	
	70	50	30	70	50	30
0	81	81	81	79	79	75
1	73	70	68	72	69	67
2	68	63	58	67	61	59
3	63	56	51	60	55	51
4	57	50	45	56	50	44
5	54	45	40	52	45	39
6	50	40	35	47	40	34
7	46	38	32	45	36	32
8	42	34	28	41	34	28
9	40	32	26	39	30	26
10	38	28	23	36	28	23

LIGHT DISTRIBUTION			
DEGREES	LUMENS	% LAMP	% FIXTURE
0-30	1972	22.7	33.5
0-40	3170	36.4	53.8
0-60	5066	58.2	86.0
0-90	5888	67.7	100.0