

APPLICATION

- Designed to permit use of grid (NEMA G) fixtures in ceilings requiring flanges.
- Designed to be used with any grid (NEMA G) troffer.
- May be used in conjunction with Day-Brite plaster frame.
- Suitable for individual and continuous row applications.

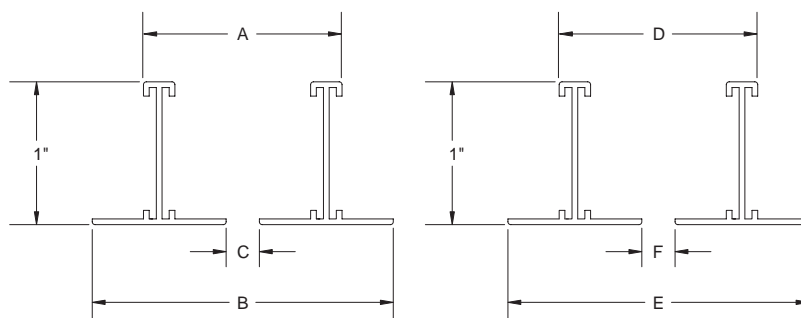
CONSTRUCTION/FINISH

- Side and end rails are extruded aluminum finished in "DAYSTAR" baked white polyester coating.
- Corner clips are zinc plated steel and slide into slots provided in side and end rails.

INSTALLATION

- Slide (snap-lock) corner angles into side and end/intermediate rails as shown above.
- Place assembled frame into ceiling opening and wire support (at four corners as shown) from main floor/ceiling structure.
- For continuous row installation, order the appropriate number of FMA kits. No extension kits are required.
- Ceiling opening required is nominal width and length plus 1/4". Example: 24-1/4" x 48-1/4" for an FMA-24.
- Continuous row opening required is the sum of the nominal sizes plus 1/4". Example: a row of 2' x 12' (three FMA-24's) requires a ceiling opening of 24-1/4" x 144-1/4" (2'-1/4" x 12'-1/4").

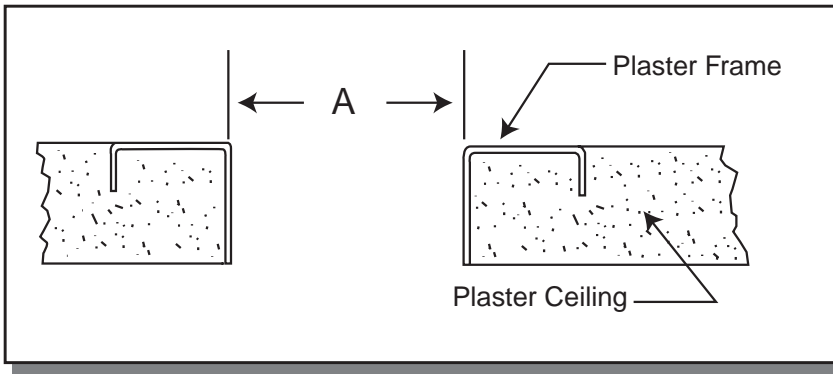
CATALOG NUMBERS	SIZE	DESCRIPTION
FMA-14	1' X 4'	Individual or Row Fixture Mounting
FMA-22	2' X 2'	Individual or Row Fixture Mounting
FMA-24	2' X 4'	Individual or Row Fixture Mounting



For continuous row installation, simply order the appropriate number of FMAs.

INDIVIDUAL UNIT	WIDTH			LENGTH*		
	A	B	C	D	E	F
1' X 4'	12-1/4"	13"	11"	48-1/4"	49"	47"
2' X 2'	24-1/4"	25"	23"	24-1/4"	25"	23"
2' X 4'	24-1/4"	25"	23"	48-1/4"	49"	47"

*For each additional section, add nominal fixture length (24" or 48") to above.



APPLICATION

- For use with wet plaster to create a straight or uniform opening for recessed fixtures.
- Used in conjunction with Flange type (NEMA "F") fixtures or "F" Mounting Kit (FMA).
- Not for use with existing ceilings.

CONSTRUCTION/FINISH

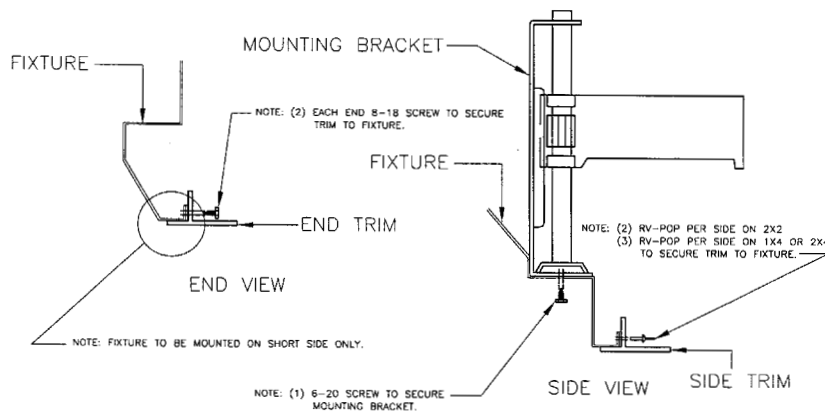
- Couplers are included so that these may be used in continuous rows.
- For a continuous troffer, two 4 ft. frames are held together by couplers, insert 6-32 flat head screws at center.
- Removable spacer brackets provided to maintain proper spacing and rigidity.
- Made from galvanized steel.

PLASTER FRAME ASSEMBLY

Catalog Number	Fixture Size	Description	Width A	Length A
AF-37	1'x4'	Individual Plaster Frame	12-5/16"	48-9/32"
AF-47	2'x2'	Individual Plaster Frame	24-5/16"	24-9/32"
AF-40R	2'x4'	Individual Plaster Frame	24-5/16"	48-9/32"
AF-44	4'x4'	Individual Plaster Frame	48-5/16"	48-9/32"

Note: The plaster frame does not support the luminaire. It only provides a means to trim and size the hole when plastering the ceiling. A flanged luminaire or "F" mounting kit (FMA) must be used in conjunction with the plaster frame to provide support for the fixture. If an existing ceiling is present, or the ceiling opening can be trimmed and sized by another means, the plaster frame is not required.

FLANGE CONVERSION KITS



Note: Minimum ceiling opening required for flanged fixtures is nominal width and length. Recommended ceiling opening is nominal width and length plus 1/4", i.e. 24-1/4" x 48-1/4" for a 2 x 4 luminaire.

CATALOG NUMBER	USED ON
FKT14	1X4 TG/SP/DESIGNER
FKDP24	2X4 DP DESIGNER/LP3 PARALOUVER

2x4 SP and TG8 products and 2x2 Designer, SP, TG8, and LP3 products cannot be converted from grid to flanged in the field due to the rolled housing edges. The use of "F" mounting frames (FMA) is recommended.

- These kits permit conversions from grid ("G") type to flange ("F") type. The kits will provide added flexibility in situations where grid type luminaires are available, but a flange fixture is needed.
- The kits include all hardware to convert the luminaires, including side and end trims along with swing arm jacks and mounting hardware.
- Each kit includes an instruction sheet describing the conversion process.
- Not required if luminaire has been ordered flange (F) from the factory.