

4' or 8'

2, 3, or 4 Lamp

Narrow or Wide T5, T8, or T12

Excellent for locations where vandal resistance is desired.

CONSTRUCTION/FINISH

- Prismatic lens is 100% DR (high impact) acrylic with a nominal thickness of .100", withstands 70 ft-lbs impact without breaking.
- Torx T15 pin-in-head tamperproof screws secure lens brackets to housing, preventing unauthorized removal of the lens. Special screwdriver required, catalog #TPDTH, sold separately.
- Housing and end plates are phosphate treated for maximum corrosion resistance and painted after fabrication with a high reflectance white polyester powder coat finish for premium reflectivity and protection.
- Heavy duty channel of code gauge die formed steel.
- Full steel end caps are standard.
- 3/16" K.O.s in end plates allow luminaires to be bolted together in continuous row applications, to provide alignment and reduce the number of hangers required when suspended.

- 7/8" K.O. in end plate allows through wiring when row mounting.
- 2 and 4 lamp units are suitable for surface or pendant mounting.
- 3 lamp units are suitable for surface mounting only.

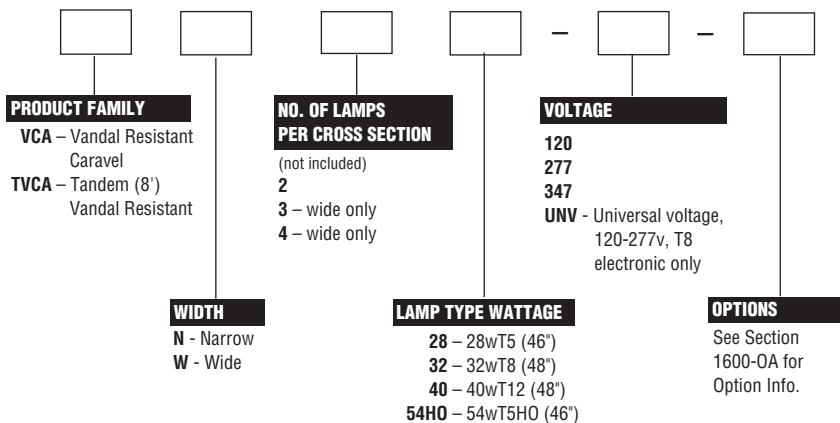
ELECTRICAL

- Class P, HPF ballasts comply with Federal Ballast Law (Public Law 100-357, 1988).
- UL listed for direct mounting on low density ceilings and damp locations.
- Self-contained fluorescent emergency power packs can be incorporated. UL listed for dry location.
- Lampholders can be individually replaced or rewired.

ACCESSORY

- Cat. #TPDTH - Tamperproof driver, tamper resistant Torx.

CATALOG NUMBER



NOTES:

- With generic Electronic Ballasts (Brand selected by Day-Brite)
Suffix Catalog # with- **Ballast Quantity** - / - **EB Lamps Per Ballast.**

Example: -1/2-EB = One 2 Lamp Electronic Ballast.

Example: -1/4-EB = One 4 Lamp Electronic Ballast.

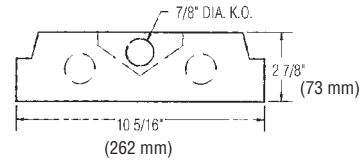
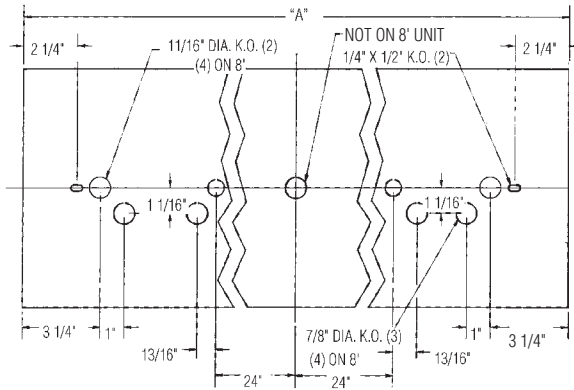
Example: -1/3-EB = One 3 Lamp Electronic Ballast.

VANDAL RESISTANT CARAVEL 2 LAMP NARROW



DIMENSIONS

DIM "A"
 4' (1219 mm) 48"
 8' (2438 mm) 96"



PHOTOMETRIC DATA

CATALOG # VCAN232-1/2-EB
 TEST #41974 S/MH= 1.4

LAMPS = F32 T8
 BALLAST = ELECTRONIC

INPUT WATTS = 59
 BALLAST FACTOR = .92

LER = FW-70

COMPARATIVE YEARLY LIGHTING ENERGY COST PER 1000 LUMENS = **\$3.43** BASED ON 3000 HRS. AND \$.08 PER KWH.

FIXTURE EFFICIENCY = 77.8%

CANDLEPOWER				
Angle	End	45	Cross	
0	1482	1482	1482	
5	1482	1482	1479	
15	1432	1463	1483	
25	1331	1409	1458	
35	1186	1313	1375	
45	967	1078	1045	
55	541	615	568	
65	305	329	388	
75	162	208	292	
85	45	129	251	
95	0	111	261	
105	1	147	199	
115	3	83	107	
125	4	48	62	
135	6	44	57	
145	7	34	47	
155	7	21	32	
165	5	9	15	
175	5	6	7	

MAINTAINED ILLUMINATION TABLE- Square Feet/Fixture*

- 80-50-20 Reflectances (Ceiling-Wall-Floor)
- LLF = 0.76 2900 Lumens/Lamp very clean
- Room width divided by room height = 5 or more, 2 or 1

Fixture Size & # of Lamps	Room Width Room Height =	Approx. Area (sq. ft.) per Fixture				
		10 ft-c	30 ft-c	50 ft-c	70 ft-c	100 ft-c
4'	5	-	117	70	50	35
2 Lamp	2	-	81	48	35	-
	1	-	59	36	-	-

*Observe Fixture S/MH Requirements for Specific Applications

AVERAGE LUMINANCE CD/SQ.M WITH 2900 LUMEN LAMPS

ANGLE	END	45°	CROSS
45	4307	4399	3934
55	2970	2986	2472
65	2273	2049	2076
75	1971	1887	2111
85	1626	2278	2934

TYPICAL V.C.P.'s

Room Size	Mounting Height			
	8.5	10	8.5	10
30x30	61	64	57	62
40x40	58	61	51	56
60x30	62	66	60	65
60x60	55	57	45	50
100x100	53	54	40	43

COEFFICIENT OF UTILIZATION

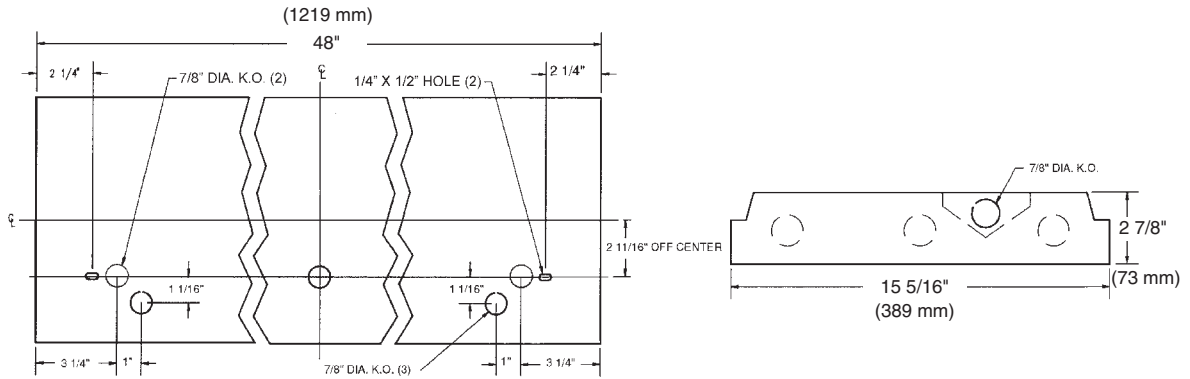
pfc pcc pw RCR	20		70		50	
	70	50	30	70	50	30
0	91	91	91	88	88	81
1	82	79	76	80	77	73
2	76	69	65	72	68	63
3	68	61	56	67	59	54
4	64	55	47	61	53	46
5	58	48	42	56	47	41
6	54	44	38	52	42	36
7	50	40	34	48	39	33
8	46	36	29	45	35	29
9	44	34	28	41	33	27
10	40	30	25	40	29	25

LIGHT DISTRIBUTION

DEGREES	LUMENS	% LAMP	% FIXTURE
0-30	1202	20.7	26.6
0-40	2014	34.7	44.6
0-60	3362	58.0	74.5
0-90	4087	70.5	90.6
90-180	425	7.3	9.4
0-180	4512	77.8	100.0

LLF = .76 LLF = LIGHT LOSS FACTOR LLF = LDD X LLD X BF LDD = VERY CLEAN 0.94 CLEAN 0.90
 LLD = 0.88 @ 40% RATED LAMP LIFE BF = .92 ELECTRONIC BALLAST & T8 LAMP (RELAMP AT 70% LAMP LIFE)

DIMENSIONS



PHOTOMETRIC DATA

CATALOG #CAW332-1/3-EB
TEST #41975 S/MH=1.4

LAMPS = F32 T8
BALLAST = ELECTRONIC

INPUT WATTS = 86
BALLAST FACTOR = .93

LER = FW-75

COMPARATIVE YEARLY LIGHTING ENERGY COST PER 1000 LUMENS = \$3.20 BASED ON 3000 HRS. AND \$.08 PER KWH.

FIXTURE EFFICIENCY= 79.8%

CANDLEPOWER			
Angle	End	45	Cross
0	2339	2339	2339
5	2340	2337	2331
15	2267	2302	2328
25	2110	2208	2274
35	1876	2053	2133
45	1534	1730	1757
55	866	1020	973
65	474	540	679
75	260	310	453
85	68	184	322
95	0	134	266
105	1	137	205
115	4	94	129
125	8	60	78
135	10	45	60
145	9	34	47
155	9	22	33
165	8	12	17
175	8	7	9

MAINTAINED ILLUMINATION TABLE- Square Feet/Fixture*

- 80-50-20 Reflectances (Ceiling-Wall-Floor)
- LLF = 0.77 2900 Lumens/Lamp very clean
- Room width divided by room height = 5 or more, 2 or 1

Fixture Size & # of Lamps	Room Width / Room Height =	Approx. Area (sq. ft.) per Fixture				
		10 ft-c	30 ft-c	50 ft-c	70 ft-c	100 ft-c
4'	5	-	-	110	78	55
3-Lamp	2	-	126	76	54	38
	1	-	93	56	40	-

*Observe Fixture S/MH Requirements for Specific Applications

AVERAGE LUMINANCE CD/SQ.M WITH 2900 LUMEN LAMPS			
ANGLE	END	45°	CROSS
45	4592	4898	4718
55	3196	3479	3085
65	2374	2408	2729
75	2126	2088	2594
85	1652	2699	3383

TYPICAL V.C.P.'s			
Room Size	Mounting Height		
	Lengthwise	Crosswise	
	8.5	10	8.5 10
30x30	58	61	52 57
40x40	55	57	47 52
60x30	59	62	56 60
60x60	52	54	42 46
100x100	50	51	37 40

COEFFICIENT OF UTILIZATION									
pfc pcc pw	20			70			50		
	70	50	30	70	50	30	50	30	50
RCR									
0	93	93	93	91	91	91	85	85	85
1	85	81	79	82	80	77	75	72	72
2	78	71	67	76	69	65	66	61	61
3	71	64	56	68	61	56	58	54	54
4	66	56	50	64	55	48	53	46	46
5	60	51	44	58	50	42	46	41	41
6	56	46	39	54	45	38	42	36	36
7	52	41	34	50	40	34	39	33	33
8	47	38	30	46	36	30	35	29	29
9	45	34	28	44	34	28	33	27	27
10	41	32	26	40	32	26	29	25	25

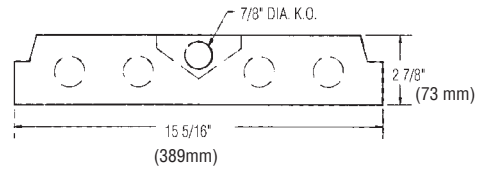
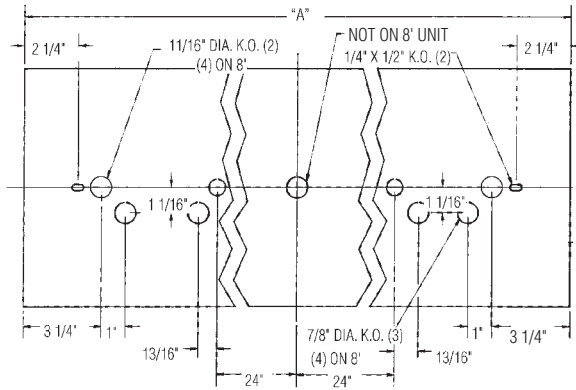
LIGHT DISTRIBUTION			
DEGREES	LUMENS	% LAMP	% FIXTURE
0-30	1890	21.7	27.2
0-40	3161	36.3	45.5
0-60	5356	61.6	77.2
0-90	6478	74.5	93.3
90-180	463	5.3	6.7
0-180	6941	79.8	100.0

LLF = .77 LLF = LIGHT LOSS FACTOR LLD = LDD X LLD X BF LDD = VERY CLEAN 0.94 CLEAN 0.90
LLD = 0.88 @ 40% RATED LAMP LIFE BF = 0.93 ELECTRONIC BALLAST & T8 LAMP (RELAMP AT 70% LAMP LIFE)

VANDAL RESISTANT CARAVEL 2 & 4 LAMP WIDE Day-Brite® Lighting

DIMENSIONS

DIM "A"
 4' (1219 mm) 48"
 8' (2438 mm) 96"



PHOTOMETRIC DATA

CATALOG #VCAW432-1/4-EB
 TEST #41976 S/MH=1.4

LAMPS = F32 T8
 BALLAST = ELECTRONIC

INPUT WATTS = 108
 BALLAST FACTOR = .91

LER = FW-76

COMPARATIVE YEARLY LIGHTING ENERGY COST PER 1000 LUMENS = \$3.16 BASED ON 3000 HRS. AND \$.08 PER KWH.

FIXTURE EFFICIENCY= 78.2%

CANDLEPOWER			
Angle	End	45	Cross
0	3116	3116	3116
5	3123	3119	3107
15	3020	3063	3099
25	2814	2941	3020
35	2506	2716	2830
45	2040	2285	2285
55	1178	1348	1257
65	632	696	862
75	348	395	553
85	95	229	372
95	0	156	306
105	3	163	237
115	6	119	162
125	10	87	117
135	15	65	91
145	13	48	65
155	13	31	46
165	11	17	25
175	11	11	14

MAINTAINED ILLUMINATION TABLE- Square Feet/Fixture*

- 80-50-20 Reflectances (Ceiling-Wall-Floor)
- LLF = 0.75 2900 Lumens/Lamp very clean
- Room width divided by room height = 5 or more, 2 or 1

Fixture Size & # of Lamps	Room Width Room Height =	Approx. Area (sq. ft.) per Fixture				
		10 ft-c	30 ft-c	50 ft-c	70 ft-c	100 ft-c
4'	5	-	-	141	100	70
4-Lamp	2	-	-	98	70	49
	1	-	120	72	51	36

*Observe Fixture S/MH Requirements for Specific Applications

AVERAGE LUMINANCE CD/SQ.M WITH 2900 LUMEN LAMPS

ANGLE	END	45°	CROSS
45	6107	6469	6136
55	4347	4598	3986
65	3165	3104	3465
75	2846	2661	3167
85	2307	3359	3909

TYPICAL V.C.P.'s

Room Size	Mounting Height			
	8.5	10	8.5	10
30x30	51	54	47	52
40x40	49	51	42	46
60x30	53	56	51	55
60x60	46	48	37	41
100x100	45	45	33	36

COEFFICIENT OF UTILIZATION

pfc pcc pw	20				70				50			
	70	50	30	70	50	30	50	30	50	30	50	30
RCR	0	92	92	92	89	89	89	83	83	83	83	83
	1	83	81	77	81	78	75	73	71	71	71	71
	2	77	70	66	75	68	64	65	61	61	61	61
	3	70	63	56	68	60	56	57	53	53	53	53
	4	65	56	48	63	55	47	52	46	46	46	46
	5	59	50	42	57	48	42	46	40	40	40	40
	6	55	45	39	53	44	38	41	36	36	36	36
	7	51	40	34	50	40	34	39	33	33	33	33
	8	47	38	30	46	36	30	34	29	29	29	29
	9	45	34	28	42	34	28	32	27	27	27	27
	10	41	32	26	40	30	25	29	25	25	25	25

LIGHT DISTRIBUTION

DEGREES	LUMENS	% LAMP	% FIXTURE
0-30	2512	21.7	27.7
0-40	4197	36.2	46.2
0-60	7077	61.0	78.0
0-90	8492	73.2	93.6
90-180	584	5.0	6.4
0-180	9076	78.2	100.0

LLF = .75 LLF = LIGHT LOSS FACTOR LLF = LDD X LLD X BF LDD = VERY CLEAN 0.94 CLEAN 0.90
 LLD = 0.88 @ 40% RATED LAMP LIFE BF = 0.91 ELECTRONIC BALLAST & T8 LAMP (RELAMP AT 70% LAMP LIFE)

717.4-SA

DAY-BRITE LIGHTING • www.daybritelighting.com
 776 South Green Street • Tupelo, Mississippi 38804 • PH: (662) 842-7212 • FAX: (662) 841-5501
CANADIAN DIVISION
 189 Bullock Drive • Markham, Ontario L3P 1W4 • PH: (905) 294-9570 • FAX: (905) 294-9811
 ©MARCH 2010 DAY-BRITE LIGHTING DAY-BRITE RESERVES THE RIGHT TO MAKE CHANGES WITHOUT NOTICE.

PHILIPS
Day-Brite