

**1' X 4'**  
**1 Lamp**  
**T8 or T12**

**KSH 3EA Asymmetric Lens.**

**APPLICATION**

- Asymmetric light distribution is ideal for wall wash applications or illuminating a chalkboard in a classroom.
- Low brightness troffer for most ceilings:
  - Grid inverted T (NEMA “G”)
  - Flange-type for concealed mechanical suspension (NEMA “F”)
  - Modular and “Z” spline (NEMA “M/Z”) ceilings
  - Contact Day-Brite for other ceiling types.

**CONSTRUCTION/FINISH**

- Housing is multi-stage phosphate treated for maximum corrosion resistance and finish coat is high reflectance baked white enamel.
- Access plate (2 K.O.’s) factory installed includes grounding screw.
- T Bar grid clips (UL listed, patented) built into fixture end plates, no extra parts required.

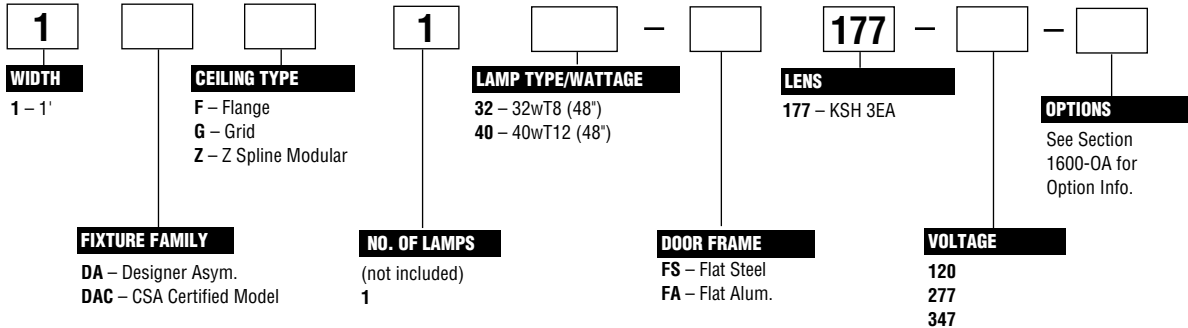
**ELECTRICAL**

- Class P, HPF, CBM certified ballasts comply with ©Federal Ballast Law (Public Law 100-357, 1988).
- Self-contained fluorescent emergency power packs can be incorporated.
- UL listed for damp locations.
- C.S.A. certified optional.

**ENCLOSURES**

- Mitered corner door frames with a choice of: Flat Steel or Flat Aluminum.
- Door frames standard with guide post spring-loaded latches.
- Mechanically designed interlocks block light, no gaskets are needed.
- KSH 3EA Asymmetric Lens is ideal for wall wash or chalkboard illumination.
- 100% acrylic lens is standard.

**CATALOG NUMBER**



**NOTES:**

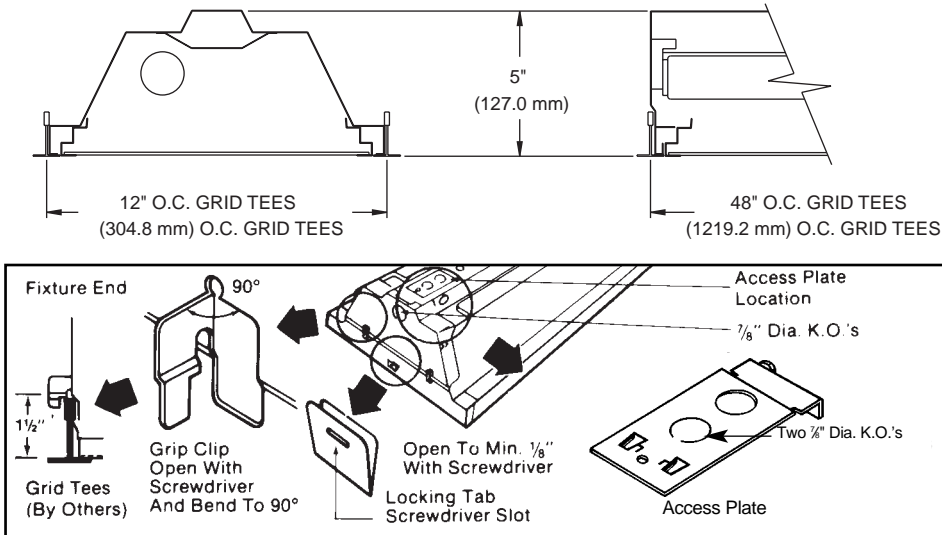
- With generic Electronic Ballasts (Brand selected by Day-Brite)  
Suffix Catalog # with- **Ballast Quantity** - / - **EB** **Lamps Per Ballast.**

**Example:** -1/1-EB = One 1 Lamp Electronic Ballast.

# ASYMMETRIC DESIGNER KSH 3EA



## DIMENSIONS



## PHOTOMETRIC DATA

CATALOG #1DAG132-FS177-1/1-EB  
TEST #17170

LAMPS = F32 T8  
BALLAST = ELECTRONIC

INPUT WATTS = 40  
BALLAST FACTOR = .94

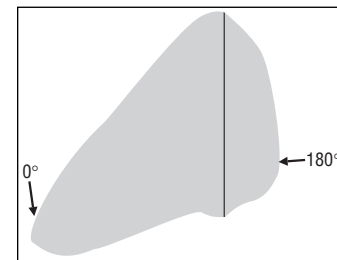
LER = FL-50

COMPARATIVE YEARLY LIGHTING ENERGY COST PER 1000 LUMENS = \$4.80 BASED ON 3000 HRS. AND \$.08 PER KWH.

FIXTURE EFFICIENCY = 73.8%

### CANDLEPOWER DISTRIBUTION

Angle	0	22.5	45	67.5	90	112.5	135	157.5	180
5	839	846	841	834	830	811	806	800	795
15	921	910	874	931	797	759	762	761	755
25	1082	1056	954	812	730	680	670	617	580
35	1233	1194	1073	800	624	552	461	396	371
45	791	948	1142	833	450	323	283	250	248
55	225	236	354	880	268	160	175	149	143
65	139	148	155	246	264	111	107	113	109
75	89	81	91	101	87	61	76	78	74
85	31	34	30	29	20	16	22	24	23



### LIGHT DISTRIBUTION

ANGLE	FRONT 0°		BACK 180°		0-360		%
	LUMENS	% LAMP	LUMENS	% LAMP	LUMENS	% LAMP	
FIXTURE							
0-30	379	13.1	298	10.3	677	23.3	31.6
0-40	693	23.9	447	15.4	1140	39.3	53.3
0-60	1228	42.3	641	22.1	1869	64.4	87.3
0-90	1384	47.7	756	26.1	2140	73.8	100.0
90-180	0	0	0	0	0	0	0
0-180	1384	47.7	756	26.1	2140	73.8	100.0

AVERAGE LUMINANCE CD/SQ.M WITH 2900 LUMEN LAMPS			
ANGLE	0°	90°	180°
45	3834	2273	1202
55	1344	1541	854
65	1127	1913	884
75	1178	1323	979
85	1215	941	902

SPACING CRITERIA 0=1.8 90=1.2 180=1.0

LLF = .78 LLF = LIGHT LOSS FACTOR LLD = LDD X LLD X BF LDD = VERY CLEAN 0.94 CLEAN 0.90  
LLD = 0.88 @ 40% RATED LAMP LIFE BF = 0.94 ELECTRONIC BALLAST & T8 LAMP (RELAMP AT 70% LAMP LIFE)

## POINT BY POINT ILLUMINATION ON CHALKBOARDS BASED ON LAYOUTS SHOWN BELOW.

See following page for description of Layouts 1 and 2.

### LAYOUT 1

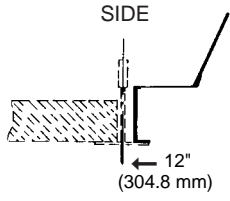
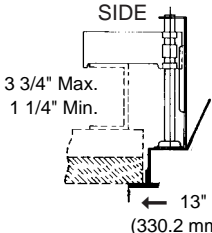
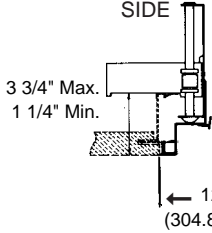
ILLUMINANCES ON VERTICAL SURFACE: NORTH (footcandles)										
AVERAGE: 36.3 MINIMUM: 17.8 MAXIMUM: 54.0 MEAN DEVIATION: 10.7										
ABS Z ABSOLUTE										
COORD. X-COORDINATE(S)										
	2.0	3.0	4.0	5.0	6.0	7.0	8.0	9.0	10.0	
6.0	48	47	46	47	48	47	47	47	48	
5.5	52	53	53	53	54	53	53	53	52	
5.0	43	45	46	47	47	47	46	46	44	
4.5	34	36	37	38	38	38	37	36	34	
4.0	27	29	30	30	31	30	30	29	27	
3.5	22	23	24	24	25	25	24	23	22	
3.0	18	19	20	20	20	20	20	19	18	

### LAYOUT 2

ILLUMINANCES ON VERTICAL SURFACE: NORTH (footcandles)												
AVERAGE: 47.5 MINIMUM: 30.9 MAXIMUM: 64.7 MEAN DEVIATION: 9.66												
ABS Z ABSOLUTE												
COORD. X-COORDINATE(S)												
	11.0	12.0	13.0	14.0	15.0	16.0	17.0	18.0	19.0			
6.0	55	56	56	57	58	57	56	56	55			
5.5	61	63	64	64	65	64	64	63	61			
5.0	53	56	57	58	58	58	57	56	53			
4.5	44	47	49	49	49	49	49	47	44			
4.0	38	40	42	42	43	42	42	40	38			
3.5	34	36	37	37	37	37	37	36	34			
3.0	31	32	33	34	34	34	33	32	31			

**1 DA G 1 32 -**

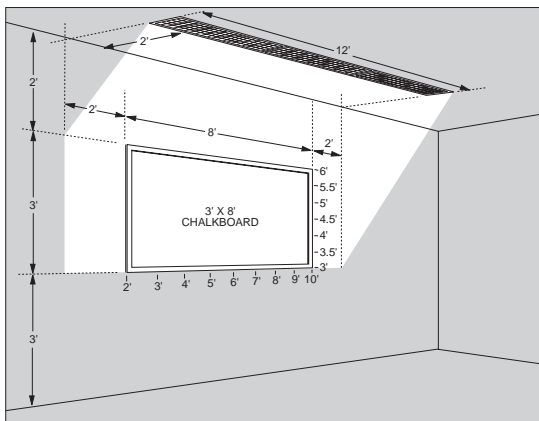
**CEILING TYPE**

<p><b>G = GRID (NEMA G)</b></p>  <p>(NEMA Type G) Lay-in acoustical ceilings using exposed grid suspension, with tees for fixtures on 12" x 48" spacing.</p>	<p><b>F = FLANGE (NEMA F)</b></p>  <p>(NEMA Type F) Flange for acoustical ceilings using concealed mechanical suspension. Swing-jack mounting brackets: adjustment 3 3/4" max. and 1 1/4" min.</p>	<p><b>Z = (NEMA M/Z) MODULAR AND "Z" SPLINE</b></p>  <p>(NEMA M/Z) Modular and "Z" Spline using concealed mechanical suspension. Swing-jack mounting brackets: adjustment 3 3/4" max. and 1 1/4" min.</p>
---	---	---

**FIXTURE LAYOUT DETAIL**

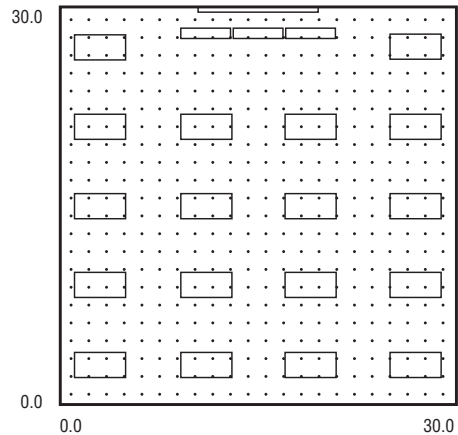
**LAYOUT 1**

3, 1'x4' asymmetrical distribution fixtures only based on spacing & location shown.



**LAYOUT 2**

Identical to Layout 1 with the addition of normal room illumination of 50 footcandles per layout shown below.  
**CHALKBOARD**



2'x4' 2 lamp 32 watt T8 Lens fixtures on 6'x8' centers

