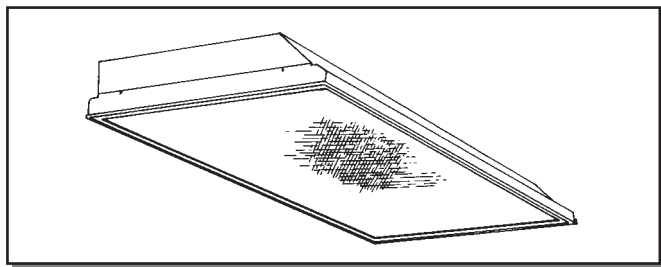


RECESSED SURGICAL LIGHTING



2' X 4'
4 or 6 Lamp
T8 or T12

With Pattern 12 RFI Lens

APPLICATION

- For use in surgical areas.
- Recommended for pattern mounting to eliminate shadows on horizontal surfaces.
- Premium quality recessed static troffer for:
 - Grid inverted T (NEMA "G")
 - Flange-type for concealed mechanical suspension (NEMA "F")

CONSTRUCTION/FINISH

- One piece body construction (including end caps) minimizes leakage of radiated waves and prevents interference with sensitive monitoring and recording devices.
- Housing and door painted after fabrication with white polyester powder finish.
- Access plate (2 K.O.'s) factory installed includes grounding screw.

SIDE MOUNTED BALLASTS

- Reduce ballast operating temperatures.
- Increase average ballast life.

ELECTRICAL

- Class P, HPF, CBM certified ballasts comply with ©Federal Ballast Law (Public Law 100-357, 1988).
- UL listed for damp locations. C.S.A. certified optional.
- If RFI line filters are required, use the appropriate suffix shown below.

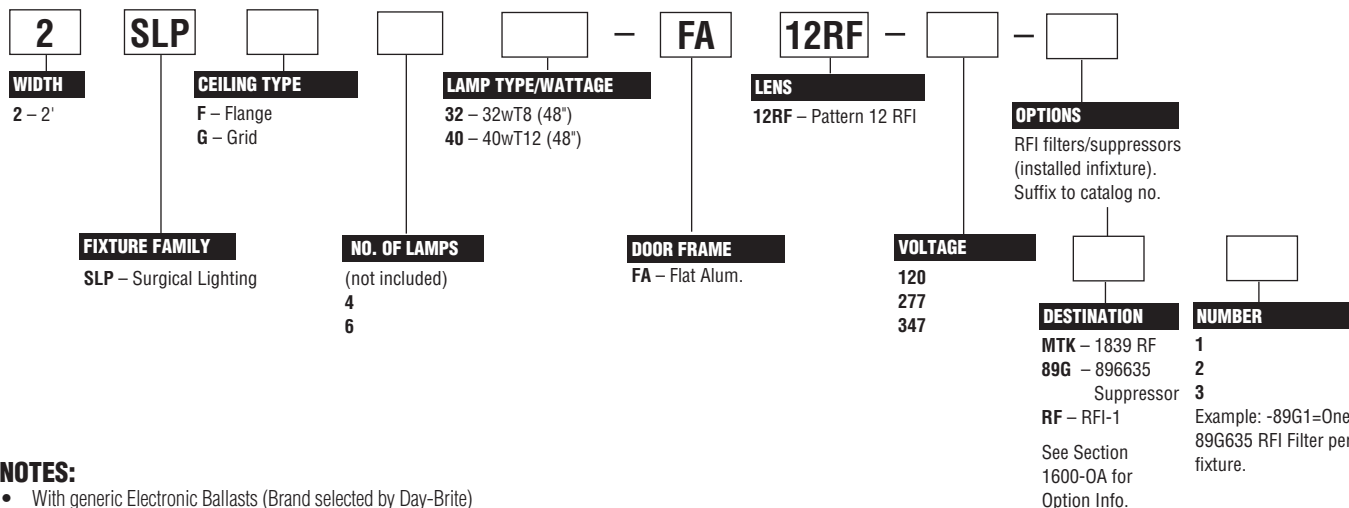
ENCLOSURES

- Lens is a pattern 12 prismatic acrylic, 1/8" nominal thickness with a radio frequency interference grid that is grounded.
- Light distribution is symmetrical perpendicular to lamps.
- Flat aluminum (painted white) door frames with mitered corners are standard.
- Door frames standard with guide post spring loaded latches.

PATTERN MOUNTING

- For fixtures mounted in a pattern, please supply pattern detail and ceiling type when placing order.

CATALOG NUMBER



NOTES:

- With generic Electronic Ballasts (Brand selected by Day-Brite)
Suffix Catalog # with- **Ballast Quantity** - / - **EB Lamps Per Ballast.**

Example: -1/2-EB = One 2 Lamp Electronic Ballast.

Example: -1/3-EB = One 3 Lamp Electronic Ballast.

- Fixtures that meet the requirements MIL-STD-461A, 462 and 463 for eliminating radio frequency interference must be ordered with magnetic ballast and one MTK RFI line filter per ballast.
- Fixtures with electronic ballasts do not meet MIL-STD-461A, 462 and 463.

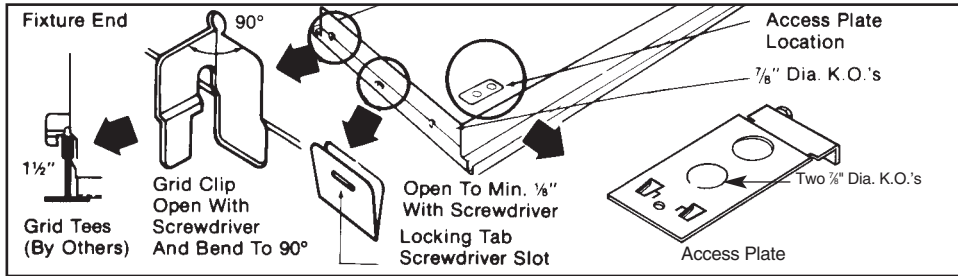
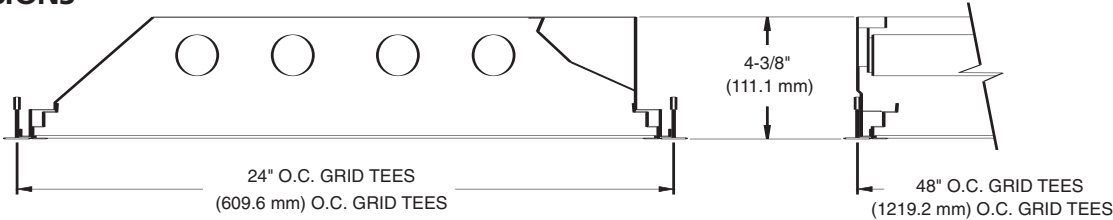
JOB INFORMATION

727.1-SA

PHILIPS
Day-Brite

2' X 4' SURGICAL LIGHTING

DIMENSIONS



PHOTOMETRIC DATA

CATALOG # 2SLPG432-FA12RF
TEST #17607 S/MH=1.3

LAMPS = F32 T8
BALLAST = MAGNETIC

INPUT WATTS = 142
BALLAST FACTOR = .95

LER = FL-52

COMPARATIVE YEARLY LIGHTING ENERGY COST PER 1000 LUMENS = \$4.62 BASED ON 3000 HRS. AND \$.08 PER KWH.

FIXTURE EFFICIENCY= 67.3%

CANDLEPOWER				
Angle	End	45	Cross	
0	3032	3032	3032	
5	3034	3025	3006	
10	2999	3002	3001	
15	2936	2965	2990	
20	2847	2909	2955	
25	2726	2823	2896	
30	2568	2700	2779	
35	2369	2527	2618	
40	2110	2295	2411	
45	1834	2006	2140	
50	1500	1630	1782	
55	1167	1275	1398	
60	878	941	988	
65	633	630	665	
70	453	410	478	
75	329	304	378	
80	244	242	282	
85	129	136	154	

MAINTAINED ILLUMINATION TABLE- Square Feet/Fixture*

- 80-50-20 Reflectances (Ceiling-Wall-Floor)
- LLF = 0.79 2900 Lumens/Lamp (very clean)
- Room width divided by room height = 5 or more, 2 or 1

Fixture Size & # of Lamps	Room Width Room Height =	Approx. Area (sq. ft.) per Fixture				
		10 ft-c	30 ft-c	50 ft-c	70 ft-c	100 ft-c
2' x 4' 4-Lamp	5	-	-	130	93	65
	2	-	156	94	67	47
	1	-	112	68	48	34

*Observe Fixture S/MH Requirements for Specific Applications

AVERAGE LUMINANCE CD/SQ.M WITH 2900 LUMEN LAMPS				
ANGLE	END	45°	CROSS	
45	4018	4394	4688	
55	3151	3443	3715	
65	2319	2308	2437	
75	1967	1818	2261	
85	2286	2410	2729	

Room Size	TYPICAL V.C.P.'s Mounting Height			
	Lengthwise	Crosswise		
	8.5	10	8.5	10
30x30	54	59	52	57
40x40	50	54	48	52
60x30	56	60	55	59
60x60	46	49	44	47
100x100	43	45	41	43

COEFFICIENT OF UTILIZATION

ptc pcc pw	20				70				50			
	70	50	30	30	70	50	30	30	50	30	50	30
RCR												
0	80	80	80	78	78	78	74	74	74	74	74	74
1	74	71	69	72	70	67	67	65	65	65	65	65
2	68	63	59	67	62	58	60	57	57	57	57	57
3	63	57	52	61	56	51	54	50	50	50	50	50
4	58	51	45	57	50	45	48	44	44	44	44	44
5	53	45	40	52	45	39	43	39	39	39	39	39
6	49	41	35	48	40	35	39	34	34	34	34	34
7	45	37	31	44	36	31	35	30	30	30	30	30
8	42	33	27	41	32	27	31	27	27	27	27	27
9	38	29	24	37	29	24	28	23	23	23	23	23
10	35	27	21	35	26	21	26	21	21	21	21	21

LIGHT DISTRIBUTION

DEGREES	LUMENS	% LAMP	% FIXTURE
0-30	2609	22.5	33.4
0-40	4186	36.1	53.7
0-60	6752	58.2	86.6
0-90	7802	67.3	100.0

LLF = .79 LLF = LIGHT LOSS FACTOR LLF = LDD X LLD X BF LDD = VERY CLEAN 0.94 CLEAN 0.90
LLD = 0.88 @ 40% RATED LAMP LIFE BF = 0.95 MAGNETIC BALLAST & T8 LAMP (RELAMP AT 70% LAMP LIFE)

PHOTOMETRIC DATA

CATALOG # 2SLPG632-FA12RF
TEST #17604 S/MH=1.3

LAMPS = F32 T8
BALLAST = MAGNETIC

INPUT WATTS = 205
BALLAST FACTOR = .95

LER = FL-48

COMPARATIVE YEARLY LIGHTING ENERGY COST PER 1000 LUMENS = \$5.00 BASED ON 3000 HRS. AND \$.08 PER KWH.

FIXTURE EFFICIENCY= 59.7%

CANDLEPOWER				
Angle	End	45	Cross	
0	4137	4137	4137	
5	4120	4134	4123	
10	4066	4099	4107	
15	3974	4036	4071	
20	3851	3945	4007	
25	3678	3813	3895	
30	3459	3629	3720	
35	3175	3381	3489	
40	2849	3053	3191	
45	2444	2636	2799	
50	2004	2145	2314	
55	1539	1676	1803	
60	1152	1211	1272	
65	821	812	860	
70	587	533	631	
75	431	402	501	
80	321	320	377	
85	173	181	203	

MAINTAINED ILLUMINATION TABLE- Square Feet/Fixture*

- 80-50-20 Reflectances (Ceiling-Wall-Floor)
- LLF = 0.79 2900 Lumens/Lamp (very clean)
- Room width divided by room height = 5 or more, 2 or 1

Fixture Size & # of Lamps	Room Width Room Height =	Approx. Area (sq. ft.) per Fixture				
		10 ft-c	30 ft-c	50 ft-c	70 ft-c	100 ft-c
2' x 4' 6-Lamp	5	-	-	-	123	87
	2	-	-	123	88	62
	1	-	150	90	64	45

*Observe Fixture S/MH Requirements for Specific Applications

AVERAGE LUMINANCE CD/SQ.M WITH 2900 LUMEN LAMPS				
ANGLE	END	45°	CROSS	
45	5354	5774	6132	
55	4156	4526	4869	
65	3008	2975	3151	
75	2577	2404	2996	
85	3065	3207	3597	

Room Size	TYPICAL V.C.P.'s Mounting Height			
	Lengthwise	Crosswise		
	8.5	10	8.5	10
30x30	47	52	45	50
40x40	43	47	41	45
60x30	49	54	48	53
60x60	40	43	37	40
100x100	37	39	35	37

COEFFICIENT OF UTILIZATION

ptc pcc pw	20				70				50			
	70	50	30	30	70	50	30	30	50	30	50	30
RCR												
0	71	71	71	69	69	69	66	66	66	66	66	66
1	66	63	61	64	62	60	59	58	58	58	58	58
2	60	56	53	59	55	52	53	50	50	50	50	50
3	56	50	46	54	49	45	48	44	44	44	44	44
4	52	45	40	50	44	40	43	39	39	39	39	39
5	47	40	35	46	40	35	38	34	34	34	34	34
6	44	36	31	43	36	31	35	30	30	30	30	30
7	40	33	28	39	32	27	31	27	27	27	27	27
8	37	29	24	36	29	24	28	24	24	24	24	24
9	34	26	21	33	26	21	25	21	21	21	21	21
10	32	24	19	31	23	19	23	19	19	19	19	19

LIGHT DISTRIBUTION

DEGREES	LUMENS	% LAMP	% FIXTURE
0-30	3533	20.3	34.0
0-40	5642	32.4	54.3
0-60	9016	51.8	86.8
0-90	10387	59.7	100.0

LLF = .79 LLF = LIGHT LOSS FACTOR LLF = LDD X LLD X BF LDD = VERY CLEAN 0.94 CLEAN 0.90
LLD = 0.88 @ 40% RATED LAMP LIFE BF = 0.95 MAGNETIC BALLAST & T8 LAMP (RELAMP AT 70% LAMP LIFE)

THESE PHOTOMETRIC RESULTS WERE OBTAINED IN THE THOMAS LIGHTING C & I DIVISION LABORATORY WHICH IS NVLAP ACCREDITED BY THE NATIONAL INSTITUTE OF STANDARDS & TECHNOLOGY



2' x 4' SURGICAL LIGHTING 4 LAMP

Room and Other Data for Point by Point Layout Shown Below

Room Size: 30' x 20' x 10'

This rectangular pattern consists of

Reflectances: 80% Ceiling, 50% Wall, 20% Floor

8 fixtures arranged as shown below

Work Plane: 3'

Illuminance (Footcandles)

Catalog # 2SLPG432-FA12RF

Lamps: 4-32WT8

Ballast: Magnetic

LLF: 0.75

The maintained footcandle levels shown below
(Average, Minimum, Maximum)
are based on the entire 14' x 10' area shown below.

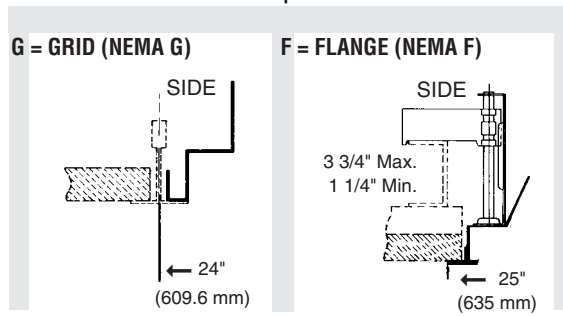
Average: 152 Minimum: 85.4 Maximum: 205

ABS. Y COOR.	ABSOLUTE X – COORDINATE(S)														
	8.00	9.00	10.00	11.00	12.00	13.00	14.00	15.00	16.00	17.00	18.00	19.00	20.00	21.00	22.00
15.00	85.5	98.9	112	123	131	138	142	143	142	138	131	123	111	98.8	85.4
14.00	97.6	113	128	141	151	158	162	163	162	158	151	141	128	113	97.5
13.00	109	126	143	157	168	175	179	180	179	175	168	157	143	126	109
12.00	118	137	155	170	181	189	192	194	192	189	181	169	155	137	118
11.00	124	144	162	177	189	197	201	202	201	197	189	177	162	144	123
10.00	126	146	165	180	192	200	204	205	204	200	192	180	165	146	125
9.00	124	144	162	178	189	197	201	202	201	197	189	177	162	144	123
8.00	118	137	155	170	181	189	193	194	193	189	181	170	155	137	118
7.00	109	127	143	157	168	176	179	180	179	176	168	157	143	127	109
6.00	97.8	113	128	141	151	158	162	163	162	158	151	141	128	113	97.7
5.00	85.8	99.1	112	123	132	139	142	143	142	139	132	123	112	99.1	85.7

2' x 4' SURGICAL LIGHTING 6 LAMP

2 SLP G 4 32

CEILING TYPE



(NEMA Type G)
Lay-in acoustical ceilings using exposed grid suspension, with tees for fixtures on 24" x 48" spacing.

(NEMA Type F)
Flange for acoustical ceilings using concealed mechanical suspension. Swing-jack mounting brackets: adjustment 3 3/4" max. and 1 1/4" min.

Room and Other Data for Point by Point Layout Shown Below

Room Size: 30' x 20' x 10'

This rectangular pattern consists of

Reflectances: 80% Ceiling, 50% Wall, 20% Floor

8 fixtures arranged as shown below

Work Plane: 3'

Illuminance (Footcandles)

Catalog # 2SLPG632-FA21

Lamps: 6-32WT8

Ballast: Magnetic

LLF: 0.75

The maintained footcandle levels shown below
(Average, Minimum, Maximum)
are based on the entire 14' x 10' area shown below.

Average: 204 Minimum: 114 Maximum: 274

**ABS. Y
COOR.**

ABSOLUTE X – COORDINATE(S)

	8.00	9.00	10.00	11.00	12.00	13.00	14.00	15.00	16.00	17.00	18.00	19.00	20.00	21.00	22.00
15.00	114	132	149	164	176	185	190	191	190	185	176	164	149	132	114
14.00	131	152	172	189	202	212	217	218	217	212	202	189	172	152	131
13.00	146	170	192	211	225	235	240	242	240	235	225	211	192	170	146
12.00	158	184	208	228	243	253	258	259	258	253	243	228	208	184	158
11.00	166	193	218	239	254	264	269	270	269	264	254	239	218	193	166
10.00	169	197	222	243	258	268	273	274	273	268	258	242	222	196	168
9.00	166	193	218	239	254	264	269	270	269	264	254	239	218	193	166
8.00	158	184	208	228	243	253	258	260	258	253	243	228	208	184	158
7.00	146	170	192	211	225	235	240	242	240	235	225	211	192	170	146
6.00	131	152	172	189	203	212	217	218	217	212	202	189	172	152	131
5.00	115	133	150	165	176	186	190	191	190	186	176	165	150	133	114

727.1-SA

DAY-BRITE LIGHTING • www.daybritelighting.com
776 South Green Street • Tupelo, Mississippi 38804 • PH: (662) 842-7212 • FAX: (662) 841-5501
CANADIAN DIVISION
189 Bullock Drive • Markham, Ontario L3P 1W4 • PH: (905) 294-9570 • FAX: (905) 294-9811
©MAY 2010 DAY-BRITE LIGHTING DAY-BRITE RESERVES THE RIGHT TO MAKE CHANGES WITHOUT NOTICE.

PHILIPS
Day-Brite