

**4 Lamp
T8 or T12
24 or 32 Cell**

APPLICATION

- For Surface Mounting Requirements with Parabolic louvered appearance.
- Provides excellent control of light distribution with reduced direct glare and good shielding angles for superior visual comfort.
- May also be stem mounted (at four corners).

CONSTRUCTION/FINISH

- Housing is a one piece welded assembly for structural rigidity.
- Housing is painted after fabrication with white polyester powder coating.
- Flat black finish inside perimeter reveal for floating door appearance.

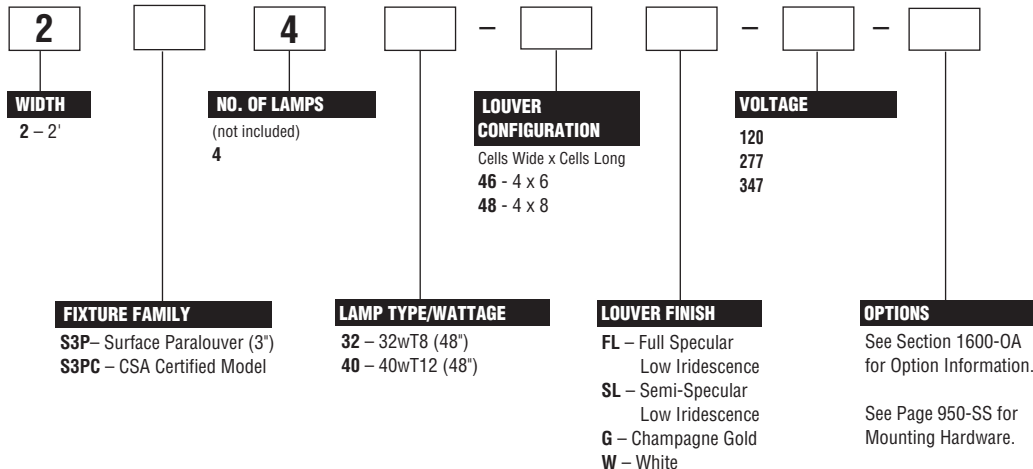
ELECTRICAL

- Class P, HPF, CBM certified ballasts comply with ©Federal Ballast Law (Public Law 100-357,1988).
- UL listed for direct mounting on low density ceilings and damp locations. C.S.A. certified optional.
- Self-contained fluorescent emergency power packs can be incorporated.

ENCLOSURES

- Parabolic-shaped louvers closely controlled for uniform low-brightness appearance, and interlocked to avoid vibration.
- Semi-specular low iridescence is standard, specular low iridescence, champagne gold, and white louvers are optional.
- Lengthwise shielding is 30°, and crosswise shielding is 47° with 32 cell louver.
- Black finish makes spring latches inconspicuous.
- Can be hinged and latched from either side.
- Shipped with plastic film to keep out construction dirt.

CATALOG NUMBER



NOTES:

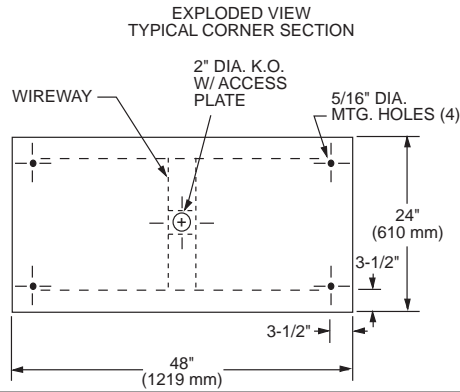
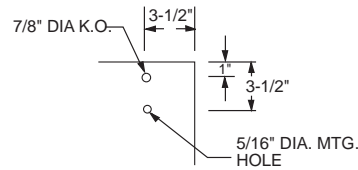
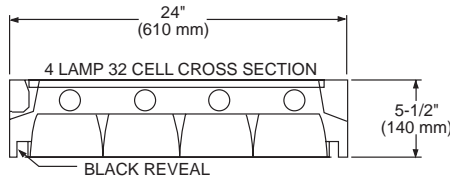
- With generic Electronic Ballasts (Brand selected by Day-Brite)
Suffix Catalog # with **Ballast Quantity - / -EB Lamps Per Ballast.**

Example: -1/4-EB = One 4 Lamp Electronic Ballast.
Example: -2/2-EB = Two 2 Lamp Electronic Ballasts.

2' X 4' 4 LAMP 24 OR 32 CELL



DIMENSIONS



PHOTOMETRIC DATA

CATALOG # 2S3P432-48SL-1/4-EB
TEST #15827 S/MH= 1.5

LAMPS = F32 T8
BALLAST = ELECTRONIC

INPUT WATTS = 112
BALLAST FACTOR = .91

LER = FP-66

COMPARATIVE YEARLY LIGHTING ENERGY COST PER 1000 LUMENS = \$3.64 BASED ON 3000 HRS. AND \$.08 PER KWH.

FIXTURE EFFICIENCY= 70.4%

CANDLEPOWER				
Angle	End	45	Cross	
0	3309	3309	3309	
5	3322	3315	3312	
10	3251	3323	3389	
15	3152	3344	3516	
20	3031	3370	3565	
25	2890	3345	3735	
30	2732	3308	3926	
35	2543	3380	3437	
40	2308	3104	2556	
45	2042	2420	1964	
50	1732	1759	1781	
55	1407	1393	1844	
60	769	890	1016	
65	114	230	214	
70	44	65	75	
75	22	30	33	
80	11	14	14	
85	4	5	4	

MAINTAINED ILLUMINATION TABLE- Square Feet/Fixture*

- 80-50-20 Reflectances (Ceiling-Wall-Floor)
- LLF = 0.75 2900 Lumens/Lamp very clean
- Room width divided by room height = 5 or more, 2 or 1

Fixture Size & # of Lamps	Room Width Room Height =	Approx. Area (sq. ft.) per Fixture				
		10 ft-c	30 ft-c	50 ft-c	70 ft-c	100 ft-c
2' X 4' 4 Lamp	5 2 1	- - -	- - 118	132 96 71	95 68 51	66 48 36

*Observe Fixture S/MH Requirements for Specific Applications

AVERAGE LUMINANCE CD/SQ.M WITH 2900 LUMEN LAMPS				
ANGLE	END	45°	CROSS	
45	4613	5467	4437	
55	3919	3880	5136	
65	431	869	809	
75	136	185	204	
85	73	92	73	

Room Size	TYPICAL V.C.P.'s Mounting Height			
	Lengthwise	8.5	10	Crosswise
30x30	88	81	86	79
40x40	91	86	90	84
60x30	92	87	91	85
60x60	94	90	93	88
100x100	97	94	96	93

COEFFICIENT OF UTILIZATION

pfc pcc pw	20				70				50			
	70	50	30	30	70	50	30	30	50	30	50	30
RCR												
0	83	83	83	81	81	81	78	78	78	78	78	78
1	78	76	73	77	73	71	70	69	70	69	69	69
2	72	68	64	70	67	63	64	60	64	60	60	60
3	67	60	56	66	59	55	57	54	57	54	54	54
4	61	55	48	60	54	48	52	47	52	47	47	47
5	56	48	44	56	48	42	46	42	46	42	42	42
6	53	45	39	52	44	39	42	38	42	38	38	38
7	48	40	34	47	40	34	39	34	39	34	34	34
8	46	36	32	45	36	30	35	30	35	30	30	30
9	42	34	28	41	34	28	33	28	33	28	28	28
10	40	32	26	39	30	26	29	26	29	26	26	26

LIGHT DISTRIBUTION

DEGREES	LUMENS	% LAMP	% FIXTURE
0-30	2804	24.2	34.4
0-40	4763	41.1	58.3
0-60	7830	67.5	95.9
0-90	8163	70.4	100.0

LLF = .75 LLF = LIGHT LOSS FACTOR LLF = LDD X LLD X BF LDD = VERY CLEAN 0.94 CLEAN 0.90
LLD = 0.88 @ 40% RATED LAMP LIFE BF = .91 ELECTRONIC BALLAST & T8 LAMP (RELAMP AT 70% LAMP LIFE)

PHOTOMETRIC DATA

CATALOG # 2S3P432-48FL-1/4-EB
TEST #15826 S/MH= 1.5

LAMPS = F32 T8
BALLAST = ELECTRONIC

INPUT WATTS = 112
BALLAST FACTOR = .91

LER = FP-71

COMPARATIVE YEARLY LIGHTING ENERGY COST PER 1000 LUMENS = \$3.38 BASED ON 3000 HRS. AND \$.08 PER KWH.

FIXTURE EFFICIENCY= 75.2%

CANDLEPOWER				
Angle	End	45	Cross	
0	3375	3375	3375	
5	3384	3378	3369	
10	3317	3391	3469	
15	3217	3445	3631	
20	3101	3504	3682	
25	2965	3481	3960	
30	2803	3489	4325	
35	2609	3783	3819	
40	2373	3547	2764	
45	2110	2726	2119	
50	1793	1957	1875	
55	1502	1688	1963	
60	850	1068	1289	
65	88	143	37	
70	10	12	12	
75	6	7	6	
80	4	4	4	
85	3	2	2	

MAINTAINED ILLUMINATION TABLE- Square Feet/Fixture*

- 80-50-20 Reflectances (Ceiling-Wall-Floor)
- LLF = 0.75 2900 Lumens/Lamp very clean
- Room width divided by room height = 5 or more, 2 or 1

Fixture Size & # of Lamps	Room Width Room Height =	Approx. Area (sq. ft.) per Fixture				
		10 ft-c	30 ft-c	50 ft-c	70 ft-c	100 ft-c
2' X 4' 4 Lamp	5 2 1	- - -	- - 126	142 102 76	101 73 54	71 51 38

*Observe Fixture S/MH Requirements for Specific Applications

AVERAGE LUMINANCE CD/SQ.M WITH 2900 LUMEN LAMPS				
ANGLE	END	45°	CROSS	
45	4767	6159	5487	
55	4183	4701	4767	
65	333	541	140	
75	37	43	37	
85	55	37	37	

Room Size	TYPICAL V.C.P.'s Mounting Height			
	Lengthwise	8.5	10	Crosswise
30x30	91	83	90	82
40x40	94	89	93	88
60x30	94	89	93	88
60x60	96	92	95	91
100x100	98	95	98	95

COEFFICIENT OF UTILIZATION

pfc pcc pw	20				70				50			
	70	50	30	30	70	50	30	30	50	30	50	30
RCR												
0	90	90	90	86	86	86	83	83	83	83	83	83
1	83	81	79	81	79	77	76	75	76	75	75	75
2	78	72	68	76	70	68	68	66	68	66	66	66
3	71	65	59	69	64	58	61	57	61	57	57	57
4	66	57	53	65	56	52	56	51	56	51	51	51
5	60	53	46	59	52	46	50	45	50	45	45	45
6	56	47	41	55	46	40	46	40	46	40	40	40
7	53	42	36	51	42	36	41	35	41	35	35	35
8	48	39	34	47	39	33	38	33	38	33	33	33
9	46	35	29	45	35	29	34	29	34	29	29	29
10	42	33	28	41	33	28	32	27	32	27	27	27

LIGHT DISTRIBUTION

DEGREES	LUMENS	% LAMP	% FIXTURE
0-30	2906	25.1	33.3
0-40	5034	43.4	57.7
0-60	8463	73.0	97.0
0-90	8728	75.2	100.0

LLF = .75 LLF = LIGHT LOSS FACTOR LLF = LDD X LLD X BF LDD = VERY CLEAN 0.94 CLEAN 0.90
LLD = 0.88 @ 40% RATED LAMP LIFE BF = .91 ELECTRONIC BALLAST & T8 LAMP (RELAMP AT 70% LAMP LIFE)

927-SS

DAY-BRITE LIGHTING
776 South Green Street • Tupelo, Mississippi 38804 • PH: (662) 842-7212 • FAX: (662) 841-5501
CANADIAN DIVISION
189 Bullock Drive • Markham, Ontario L3P 1W4 • PH: (905) 294-9570 • FAX: (905) 294-9811

©2000 DAY-BRITE LIGHTING
HOT 03-00-20M
DAY-BRITE RESERVES THE RIGHT TO
MAKE CHANGES WITHOUT NOTICE.



Genlyte Thomas Group