

**1, 2 or 3 Lamp
T5, T5HO, T8 and T12**

CONSTRUCTION/FINISH

- For surface or pendant mounting. 2 lamp models require 2 stems for pendant mounting, 1 and 3 lamp models require 4 stems.
- 4" deep metal sided unit allows a wide choice of lens and shallow metal or plastic louvers.
- Housing is multi-stage phosphate treated for maximum corrosion resistance and painted after fabrication with white polyester powder coating.
- K.O.'s provided in ends allow individual or continuous row mounting.

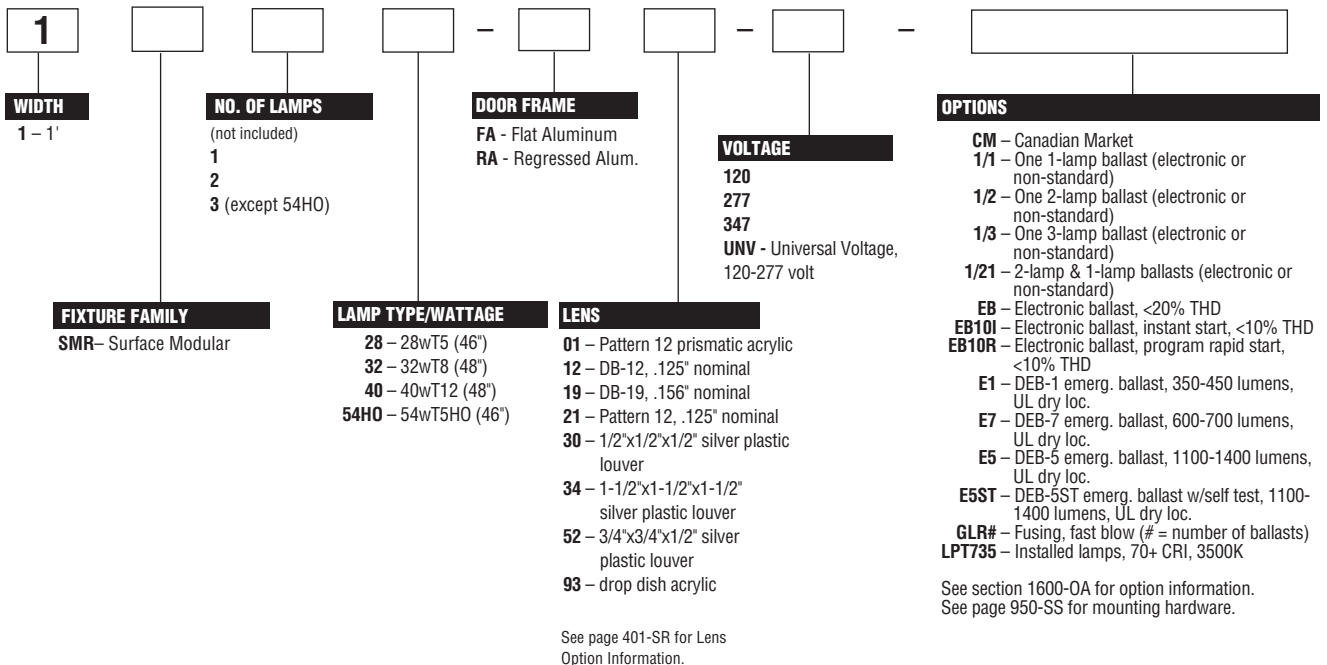
ELECTRICAL

- Class P, HPF ballasts comply with ©Federal Ballast Law (Public Law 100-357,1988).
- UL listed for direct mounting on low density ceilings and damp locations.
- Canadian certified optional.
- Self-contained fluorescent emergency power packs can be incorporated, UL listed for dry locations.

ENCLOSURES

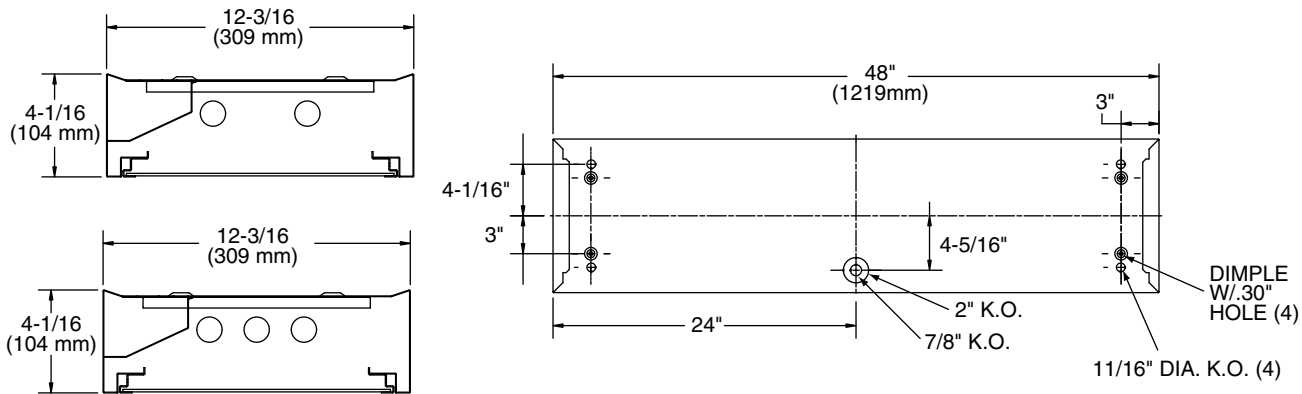
- Mitered corner door frames painted after fabrication with a choice of flat aluminum or regressed aluminum.
- Door frames standard with guide post spring loaded latches.
- Prismatic acrylic pattern 12 lens standard (01). Other lenses or louvers optional.
- Can be hinged and latched from either side.

CATALOG NUMBER



1' x 4'

DIMENSIONS



PHOTOMETRIC DATA

CATALOG # 1SMR232-FA01-1/2-EB LAMPS = F32T8 INPUT WATTS = 56
 TEST #25373 S/MH=1.3 BALLAST = ELECTRONIC BALLAST FACTOR = .88

LER = 63

COMPARATIVE YEARLY LIGHTING ENERGY COST PER 1000 LUMENS = \$3.81 BASED ON 3000 HRS. AND \$.08 PER KWH.

FIXTURE EFFICIENCY= 70.2%

CANDLEPOWER			
Angle	End	45	Cross
0	1688	1688	1688
5	1688	1686	1679
10	1667	1673	1675
15	1630	1653	1666
20	1581	1620	1647
25	1511	1576	1613
30	1426	1514	1549
35	1297	1411	1418
40	1144	1246	1221
45	976	1000	1005
50	791	773	761
55	603	562	559
60	444	371	422
65	322	229	315
70	235	156	234
75	173	145	174
80	114	124	111
85	67	80	64

MAINTAINED ILLUMINATION TABLE- Square Feet/Fixture*						
■ 80-50-20 Reflectances (Ceiling-Wall-Floor) ■ LLF = 0.75 2850 Lumens/Lamp very clean ■ Room width divided by room height = 5 or more, 2 or 1						
Fixture Size & # of Lamps	Room Width Room Height =	Approx. Area (sq. ft.) per Fixture				
		10 ft-c	30 ft-c	50 ft-c	70 ft-c	100 ft-c
1' X 4'	5	-	106	64	46	32
2-Lamp T8	2	-	75	45	32	-
	1	-	56	34	-	-

*Observe Fixture S/MH Requirements for Specific Applications

AVERAGE LUMINANCE CD/SQ.M WITH 2850 LUMEN LAMPS			
ANGLE	END	45°	CROSS
45	4823	4941	4966
55	3673	3423	3405
65	2662	1893	2604
75	2335	1957	2349
85	2686	3207	2566

TYPICAL V.C.P.'s				
Room Size	Mounting Height		Crosswise	
	8.5	10	8.5	10
30x30	53	58	53	58
40x40	48	53	49	53
60x30	55	60	55	60
60x60	43	47	44	48
100x100	40	42	42	43

COEFFICIENT OF UTILIZATION							
pfc pcc pw	20		70		50		
	70	50	30	70	50	30	
RCR	0	83	83	83	81	81	81
	1	77	73	71	75	72	69
	2	70	66	61	68	65	60
	3	65	58	54	64	57	53
	4	59	53	46	58	52	46
	5	56	47	41	54	46	40
	6	52	42	36	51	41	36
	7	47	39	34	46	39	33
	8	45	35	29	44	35	29
	9	41	33	28	40	33	28
	10	40	30	25	39	29	25

LIGHT DISTRIBUTION			
DEGREES	LUMENS	% LAMP	% FIXTURE
0-30	1350	23.7	33.7
0-40	2210	38.8	55.2
0-60	3495	61.3	87.3
0-90	4004	70.2	100.0

LLF = .75 LLF = LIGHT LOSS FACTOR LLF = LDD X LLD X BF LDD = VERY CLEAN 0.94 CLEAN 0.90
 LLD = 0.91 @ 40% RATED LAMP LIFE BF = 0.88 ELECTRONIC BALLAST & T8 LAMP (RELAMP AT 70% LAMP LIFE)

PHOTOMETRIC DATA

CATALOG # 1SMR332-FA01-1/3-EB LAMPS = F32T8 INPUT WATTS = 80
 TEST #25075 S/MH=1.3 BALLAST = ELECTRONIC BALLAST FACTOR = .88

LER = 63

COMPARATIVE YEARLY LIGHTING ENERGY COST PER 1000 LUMENS = \$3.81 BASED ON 3000 HRS. AND \$.08 PER KWH.

FIXTURE EFFICIENCY= 66.8%

CANDLEPOWER			
Angle	End	45	Cross
0	2515	2515	2515
5	2510	2510	2504
10	2478	2489	2490
15	2427	2446	2462
20	2345	2388	2416
25	2238	2303	2339
30	2099	2188	2216
35	1911	2026	2007
40	1662	1759	1708
45	1397	1416	1374
50	1111	1079	1030
55	844	755	761
60	617	501	573
65	443	304	431
70	319	217	321
75	238	206	238
80	155	174	151
85	92	104	83

MAINTAINED ILLUMINATION TABLE- Square Feet/Fixture*						
■ 80-50-20 Reflectances (Ceiling-Wall-Floor) ■ LLF = 0.75 2850 Lumens/Lamp very clean ■ Room width divided by room height = 5 or more, 2 or 1						
Fixture Size & # of Lamps	Room Width Room Height =	Approx. Area (sq. ft.) per Fixture				
		10 ft-c	30 ft-c	50 ft-c	70 ft-c	100 ft-c
1' X 4'	5	-	-	91	65	46
3-Lamp T8	2	-	108	65	46	33
	1	-	81	49	35	-

*Observe Fixture S/MH Requirements for Specific Applications

AVERAGE LUMINANCE CD/SQ.M WITH 2850 LUMEN LAMPS			
ANGLE	END	45°	CROSS
45	6903	6997	6789
55	5141	4599	4636
65	3662	2513	3563
75	3213	2781	3213
85	3688	4169	3327

TYPICAL V.C.P.'s				
Room Size	Mounting Height		Crosswise	
	8.5	10	8.5	10
30x30	45	50	45	50
40x40	40	44	41	45
60x30	47	52	47	52
60x60	36	39	37	40
100x100	34	35	36	37

COEFFICIENT OF UTILIZATION						
pfc pcc pw	20		70		50	
	70	50	30	70	50	30
RCR	0	80	80	80	78	78
	1	73	70	68	71	68
	2	68	63	58	66	61
	3	61	56	51	60	55
	4	57	50	45	56	50
	5	53	46	40	52	45
	6	50	40	35	47	40
	7	46	38	32	45	36
	8	42	34	28	41	34
	9	40	32	27	39	32
	10	38	29	25	36	28

LIGHT DISTRIBUTION			
DEGREES	LUMENS	% LAMP	% FIXTURE
0-30	1988	23.2	34.8
0-40	3225	37.7	56.5
0-60	5015	58.7	87.8
0-90	5710	66.8	100.0

LLF = .75 LLF = LIGHT LOSS FACTOR LLF = LDD X LLD X BF LDD = VERY CLEAN 0.94 CLEAN 0.90
 LLD = 0.91 @ 40% RATED LAMP LIFE BF = 0.88 ELECTRONIC BALLAST & T8 LAMP (RELAMP AT 70% LAMP LIFE)

930.1-SS

DAY-BRITE LIGHTING • www.daybritelighting.com
 776 South Green Street • Tupelo, Mississippi 38804 • PH: (662) 842-7212 • FAX: (662) 841-5501
 CANADIAN DIVISION
 189 Bullock Drive • Markham, Ontario L3P 1W4 • PH: (905) 294-9570 • FAX: (905) 294-9811

©2008 DAY-BRITE LIGHTING
 DB 02-08
 DAY-BRITE RESERVES THE RIGHT TO
 MAKE CHANGES WITHOUT NOTICE.