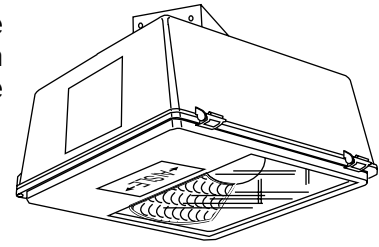


JOB NAME \_\_\_\_\_

TYPE \_\_\_\_\_

# ALM AISLE LIGHTER

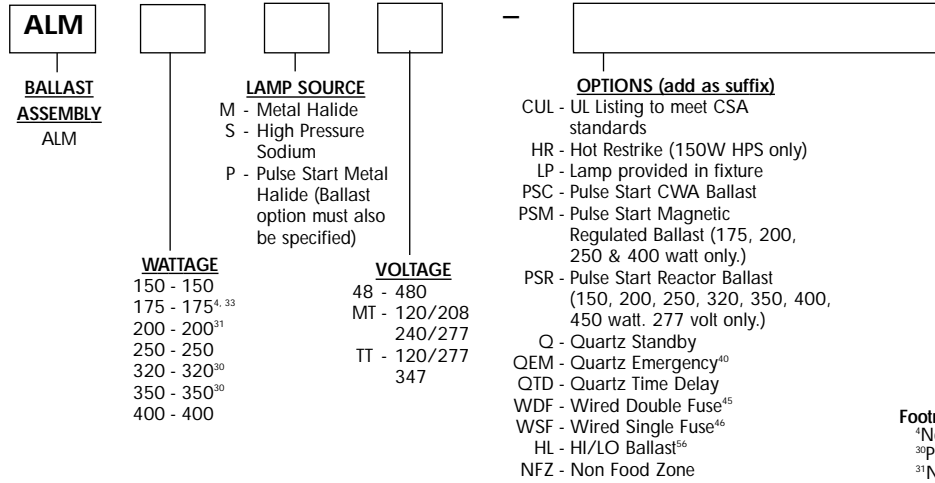
150-400 watt Metal Halide  
150-400 watt High Pressure Sodium  
150-400 watt Pulse Start Metal Halide



The ALM Aisle Lighter is less than 12" deep and is the solution to new construction or retrofits in older warehouses, freezers and storage rooms. The construction and heavy duty gasketing are designed for the extremes of industrial use.

## ORDERING MATRIX

SAMPLE CATALOG NUMBER: ALM400MMT-LP



### ACCESSORIES (ORDER SEPARATELY)

- CH - Cover Half for Power Hook (use with PB)
- PB - Power Box for Power Hook (use with CH)
- HP12 - Hook-Cord-Plug Assembly 120V
- HP25 - Hook-Cord-Plug Assembly 208-240V
- HP27 - Hook-Cord-Plug Assembly 277V
- HP48 - Hook-Cord-Plug Assembly 480V
- HMR - Suspension Hook Male
- LMR - Suspension Loop Male

(Refer to Section 18000 for additional accessories.)

### Footnotes:

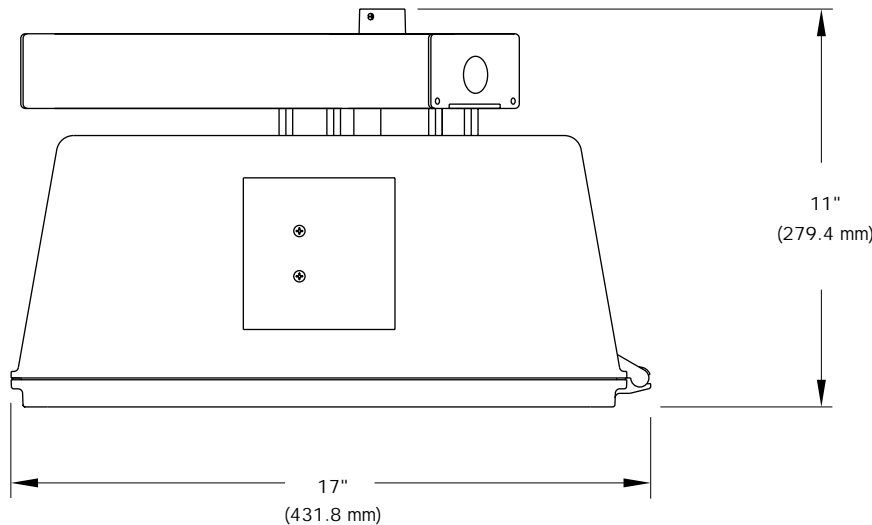
- <sup>4</sup>Not available in High Pressure Sodium.
- <sup>30</sup>Pulse Start Metal Halide Only.
- <sup>31</sup>Not available in standard Metal Halide.
- <sup>33</sup>Not available in Pulse Start Metal Halide.
- <sup>40</sup>Requires 120 volt secondary power supply.
- <sup>45</sup>Use with 208, 240, and 480 volt.
- <sup>46</sup>Use with 120, 277, and 347 volt.
- <sup>56</sup>Must specify voltage.

### General Notes:

- All accessories are field installed.
- Mogul base lamp only.
- All options factory installed.

**Warning:** Refer to and follow the lamp manufacturer's warnings and instructions.

## DIMENSIONS



## ENERGY DATA

### HIGH PRESSURE SODIUM

HX BALLAST INPUT WATTS	150 watt-188 watts
CWA BALLAST INPUT WATTS	200 watt-240 watts
	250 watt-295 watts
	310 watt-365 watts
	400 watt-464 watts

### METAL HALIDE

HX BALLAST INPUT WATTS	150 watt-185 watts
CWA BALLAST INPUT WATTS	150 watt-189 watts
	175 watt-210 watts
	200 watt-232 watts
	250 watt-295 watts
	320 watt-368 watts
	350 watt-400 watts
	400 watt-458 watts

**AL-12010**

### ALM 400W MH

MEDIUM SPREAD S/MH = Rack - 0.5 Aisle - 1.3

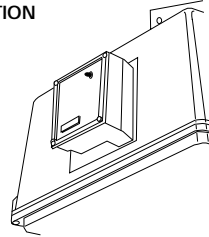
TEST NO. 17541

DISTRIBUTION CURVE	COEFFICIENTS OF UTILIZATION	AVERAGE BRIGHTNESS				ZONAL SUMMARY				CANDLEPOWER									
		ZONE	END	45	CROSS	Degrees	Lumens	% Lamp	% Fixture	Angle	Avg. Candela	Angle	Avg. Candela						
	EFFECTIVE FLOOR CAVITY REFLECTANCE 20 PER (pfc=0.20)	45	48465	67136	160291	(0-30)	12617	31.5	48.9										
	CEIL 80	70	50	30	10	(0-40)	17749	44.4	68.9	0	23172	50	6626						
	WALL 70 50 30 10	70 50 30 10	50 30 10	50 30 10	50 30 10	50 30 10	50 30 10	50 30 10	50 30 10	5	23518	55	5022						
	RCR	0	77 77 77 77	75 75 75 75	72 72 72	69 69 69	66 66 66	65	21851	22270	28557	(0-60)	24508	61.3	95.1	10	24101	60	4212
	1	72 70 68 66	71 69 67 65	66 65 63	64 62 61	61 60 60	75	6570	4608	7118	(90-180)	0	0.0	0.0	15	23278	65	1022	
	2	68 64 60 58	66 62 60 57	60 58 56	58 56 55	56 55 53	85	542	0	0	(0-180)	25776	64.4	100.0	20	22085	70	313	
	3	63 58 54 51	62 57 53 50	55 52 49	54 51 49	52 50 48	COMPARATIVE YEARLY LIGHTING ENERGY COST PER 1000 LUMENS = \$4.29 BASED ON 3000 HRS. AND \$.08 PER KWH. LER=56				25	21896	75	156					
	4	59 53 48 45	58 52 48 45	51 47 44	49 46 44	48 45 43	These photometric results were obtained in the Day-Brite Lighting Laboratory which is NVLAP accredited by the National Institute of Standards and Technology.				30	21755	80	25					
	5	55 48 44 40	54 48 44 40	47 43 40	45 42 40	44 41 39					35	18591	85	0					
	6	52 45 40 37	51 44 40 37	43 39 36	42 39 36	41 38 36					40	13979							
	7	49 41 37 33	48 41 36 33	40 36 33	39 36 33	38 35 33					45	9598							
8	46 38 34 31	45 38 34 31	37 33 31	37 33 30	36 33 30														
9	43 36 31 28	42 36 31 28	35 31 28	34 31 28	34 30 28														
10	41 34 29 26	40 33 29 26	33 29 26	32 29 26	32 28 26														

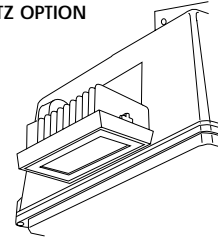
ADDITIONAL TEST NUMBERS

CATALOG NUMBER	S/MH	TEST NUMBER
ALM400SMT	0.6/1.4	17542

ALM-HI/LO OPTION



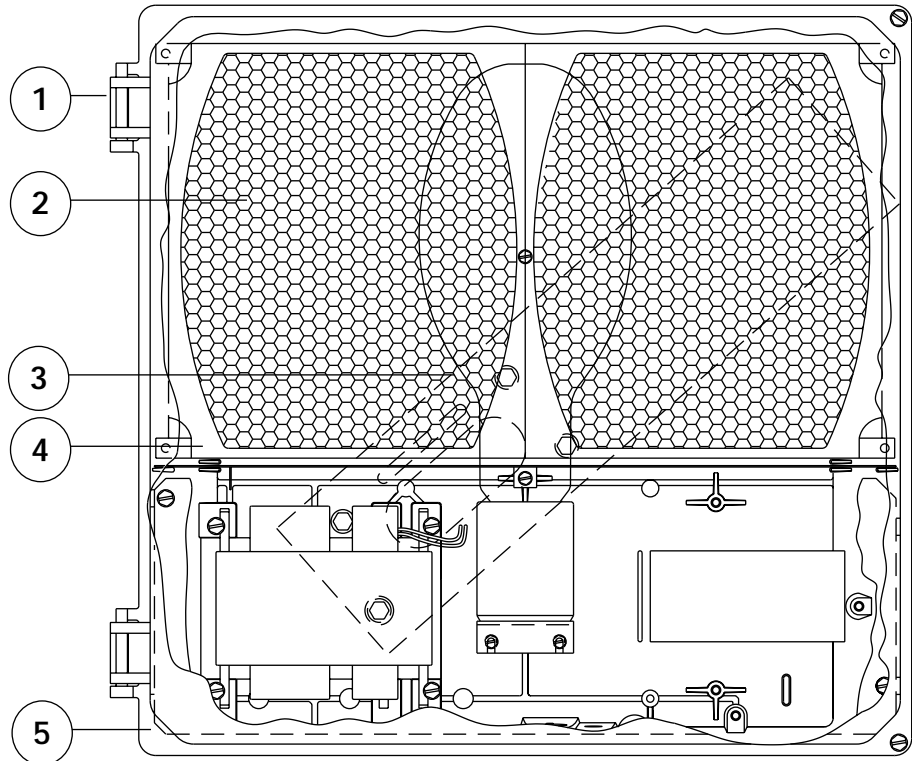
ALM-QUARTZ OPTION



PRODUCT FEATURES

UL 1598 Listed suitable for damp location and 55°C ambient for all lamp wattages listed.

1. Rugged one piece die cast aluminum housing. Bottom enclosure hinges to one side and can be removed from the housing.
2. Hammertone reflector produces excellent horizontal and vertical illumination.
3. Mounts to a 3/4" rigid pipe with unique installation feature: wiring channel is threaded into pipe and luminaire is installed to the channel via a tongue and groove design, sliding into the channel sideways.
4. Tempered glass lens is sealed to the bottom enclosure.
5. Gasketing is one piece, extruded silicone.



Visit our web site at [www.daybritelighting.com](http://www.daybritelighting.com)

776 South Green Street Tupelo, MS 38804 Phone: 662-842-7212 Fax: 662-841-5501

AL-12010

189 Bullock Drive Markham, Ontario Canada L3P 1W4 Phone: 905-294-9570 Fax: 905-294-8911  
 Day-Brite Lighting reserves the right to make changes without notice. ©September 2001. DL2.5M0901  
 Day-Brite Lighting is a Genlyte Thomas Group.

