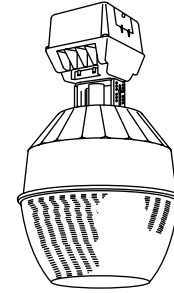


JOB NAME _____
 TYPE _____

HBO ALR AISLE LIGHTER

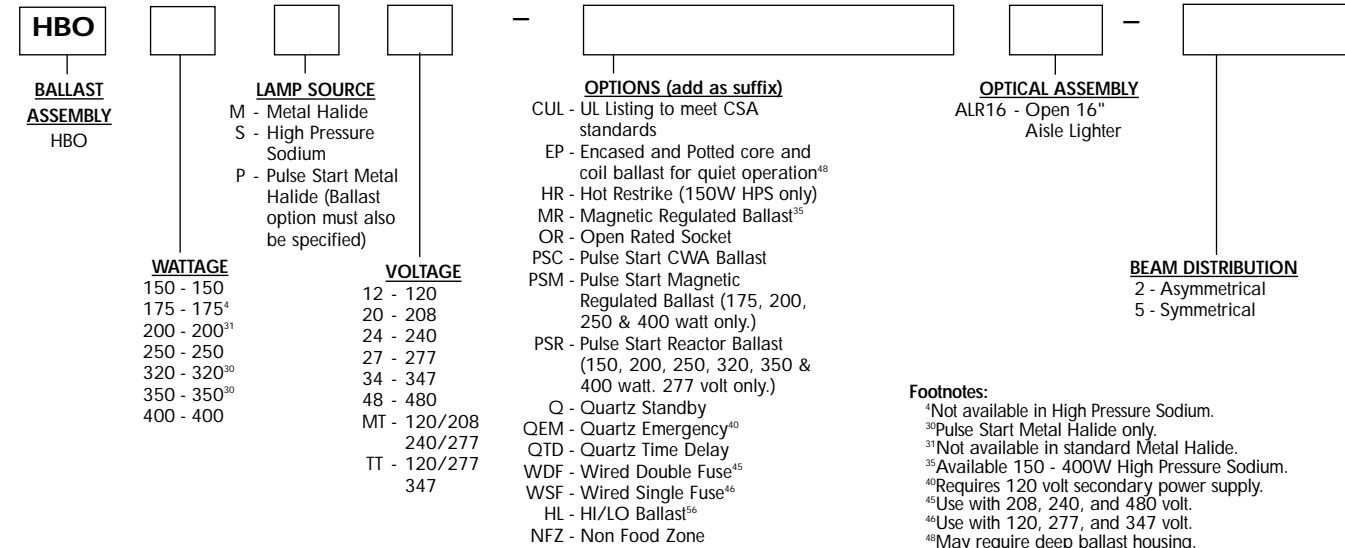
150-400 watt Metal Halide
 150-400 watt High Pressure Sodium
 150-400 watt Pulse Start Metal Halide



The HBO400 Aisle Lighter Luminaire has an open, spun aluminum reflector and acrylic refractor with either symmetric or asymmetric distribution. It is the choice for aisle/warehouse applications in commercial and industrial facilities.

ORDERING MATRIX

SAMPLE CATALOG NUMBER: HBO400PMT-PSC ALR16-2



ACCESSORIES (ORDER SEPARATELY)

- CH - Cover Half for Power Hook (use with PB)
 - PB - Power Box for Power Hook (use with CH)
 - HP12 - Hook-Cord-Plug Assembly 120V
 - HP25 - Hook-Cord-Plug Assembly 208-240V
 - HP27 - Hook-Cord-Plug Assembly 277V
 - HP48 - Hook-Cord-Plug Assembly 480V
 - HMR - Suspension Hook Male
 - LMR - Suspension Loop Male
 - SCB3 - Ballast Retainer Chain 3'
- (Refer to Section 18000 for additional accessories.)

Footnotes:

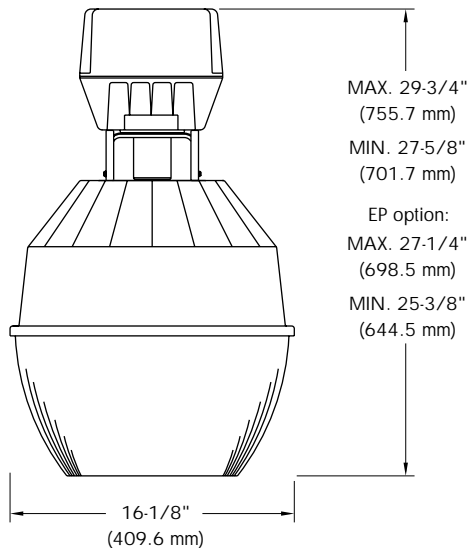
- ⁴Not available in High Pressure Sodium.
- ³⁰Pulse Start Metal Halide only.
- ³¹Not available in standard Metal Halide.
- ³⁵Available 150 - 400W High Pressure Sodium.
- ⁴⁰Requires 120 volt secondary power supply.
- ⁴⁵Use with 208, 240, and 480 volt.
- ⁴⁶Use with 120, 277, and 347 volt.
- ⁴⁸May require deep ballast housing.
- ⁵⁶Must specify voltage.

General Notes:

- All accessories are field installed.
- Mogul base lamp only.
- All options factory installed.

Warning: Many Metal Halide lamps are rated for enclosed fixtures only. Some lamps are specifically rated for open fixtures and require an open rated socket (option code-"OR"). Refer to and follow the lamp manufacturer's warnings and instructions.

DIMENSIONS



ENERGY DATA

HIGH PRESSURE SODIUM

HX BALLAST INPUT WATTS	150 watt-188 watts
CWA BALLAST INPUT WATTS	200 watt-240 watts 250 watt-295 watts 310 watt-365 watts 400 watt-464 watts

METAL HALIDE

HX BALLAST INPUT WATTS	150 watt-185 watts
CWA BALLAST INPUT WATTS	150 watt-189 watts 175 watt-210 watts 200 watt-232 watts 250 watt-295 watts 320 watt-368 watts 350 watt-400 watts 400 watt-458 watts

HBO 400W MH ALR16-2/POSITION 6

MEDIUM SPREAD S/MH = Rack - 1.7 Aisle - 1.9 TEST NO. 18475

DISTRIBUTION CURVE	COEFFICIENTS OF UTILIZATION												AVERAGE BRIGHTNESS			ZONAL SUMMARY				CANDLEPOWER						
	EFFECTIVE FLOOR CAVITY REFLECTANCE 20 PER (pfc=0.20)												ZONE	END	CROSS	Degrees	Lumens	% Lamp	% Fixture	Angle	Avg. Candela	Angle	Avg. Candela			
	CEIL	80	70	50	30	10							45	39013	24879	(0-30)	5473	13.7	18.7	0	4880	95	514			
	WALL	70	50	30	10	70	50	30	10	50	30	10	55	32096	26935	(0-40)	10421	26.1	35.6	5	5147	105	509			
	RCR	0	85	85	85	82	82	82	77	77	77	72	72	72	67	67	67	65	34413	31524	(0-60)	18574	46.4	63.5		
	1	77	73	69	66	74	70	67	64	66	63	61	61	59	57	57	56	54	75	16177	28232	(0-90)	26129	65.3	89.4	
	2	69	62	57	52	66	60	55	51	56	52	49	53	49	46	49	47	44	85	9106	11587	(90-180)	3114	7.8	10.6	
	3	62	54	48	43	60	52	46	42	49	44	40	46	42	38	43	40	37	(0-180)	29243	73.1	100.0	45	6749	145	765
	4	57	48	41	36	54	46	40	35	43	38	34	41	36	32	38	34	31	COMPARATIVE YEARLY LIGHTING ENERGY COST PER 1000 LUMENS = \$3.75 BASED ON 3000 HRS. AND \$.08 PER KWH. LER=64				55	5137	155	215
	5	52	42	35	30	50	41	34	30	38	33	29	36	31	28	34	30	27	These photometric results were obtained in the Day-Brite Lighting Laboratory which is NVLAP accredited by the National Institute of Standards and Technology.				65	4895	165	0
	6	48	38	31	26	46	37	30	26	34	29	25	32	28	24	31	26	23	75	1943	175	0	85	859	145	765
	7	44	34	27	23	42	33	27	22	31	26	22	29	24	21	28	23	20					55	5137	155	215
8	41	31	24	20	39	30	24	20	28	23	19	27	22	18	25	21	18					65	4895	165	0	
9	38	28	22	18	37	27	21	17	26	21	17	24	20	16	23	19	16					75	1943	175	0	
10	36	26	20	16	34	25	19	16	24	19	15	23	18	15	21	17	14					85	859	145	765	

ADDITIONAL TEST NUMBERS

ALR16-2 400 WATT		METAL HALIDE
SOCKET	S/MH	TEST NUMBER
POSITION 1	1.5/1.7	18480
POSITION 2	1.5/1.8	18479
POSITION 3	1.6/1.8	18478
POSITION 4	1.6/1.9	18477
POSITION 5	1.6/1.9	18476
POSITION 6	1.7/1.9	18475

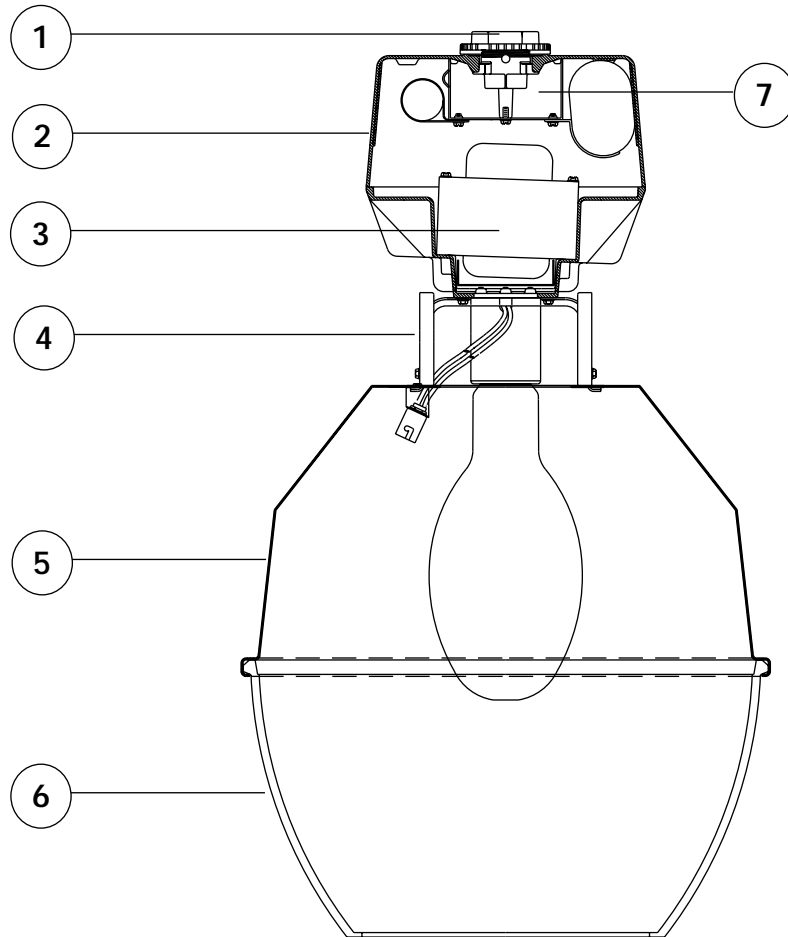
ALR16-5 400 WATT		METAL HALIDE
SOCKET	S/MH	TEST NUMBER
POSITION 1	1.5	18462
POSITION 2	1.5	18461
POSITION 3	1.5	18460
POSITION 4	1.6	18459
POSITION 5	1.6	18458
POSITION 6	1.6	18457

ALR16-2 400 WATT		HPS
SOCKET	S/MH	TEST NUMBER
POSITION 1	1.6/1.7	18474
POSITION 2	1.6/1.8	18473
POSITION 3	1.7/1.9	18472
POSITION 4	1.8/2.0	18471
POSITION 5	1.8/2.0	18470
POSITION 6	1.8/2.0	18469

PRODUCT FEATURES

UL 1598 Listed suitable for damp location and 55°C ambient for all lamp wattages listed.

- 3/4" threaded cast aluminum nut and hub for easy, positive mounting.
- Heavy wall, two piece die cast aluminum housing with white polyester powder finish.
- Day-Brite "Slant 2" ballast mounting for cooler operation. Ballast has high temperature class H insulation and a minimum starting temperature of -40°C (-40°F) for HPS and Pulse Start MH or -30°C (-20°F) for MH.
- Heavy gauge yoke provides positive mounting of reflector to ballast assembly and field adjustable light distribution patterns.
- Precision spun, heavy gauge aluminum reflector with facets and a clear anodized finish.
- Prismatic, injection molded acrylic refractor designed for low brightness. Symmetric type V and asymmetric type II available.
- Large wiring access with captive retainer screw.



Visit our web site at www.daybritelighting.com