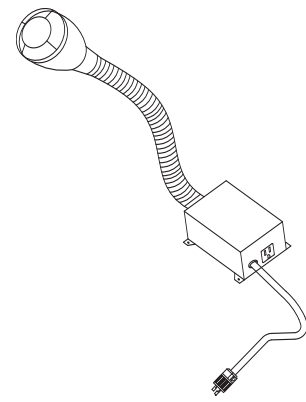


JOB NAME _____

TYPE _____

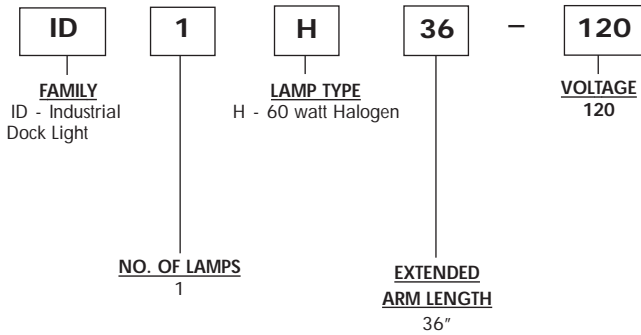
HALOGEN DOCK LIGHT



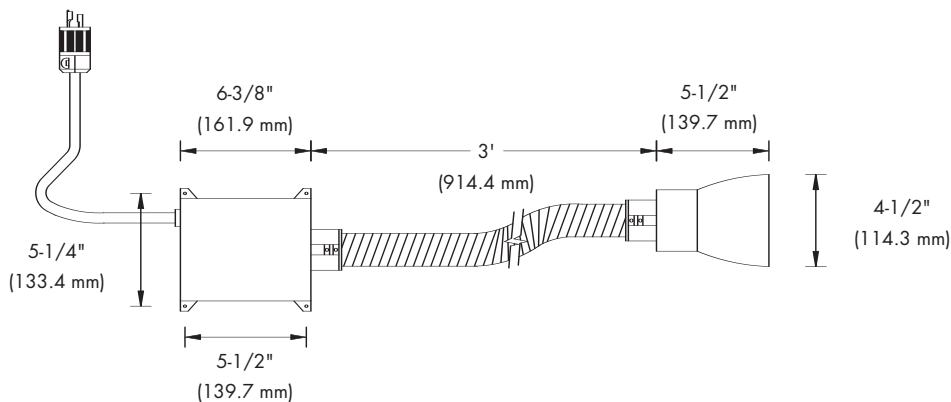
The halogen dock light is an energy saving alternative to the traditional 150 watt par unit which saves 90 watts per unit. With its flexible arm, it is infinitely adjustable and almost indestructible. This luminaire is shipped fully assembled with lamp included.

ORDERING MATRIX

SAMPLE CATALOG NUMBER: ID1H36-120



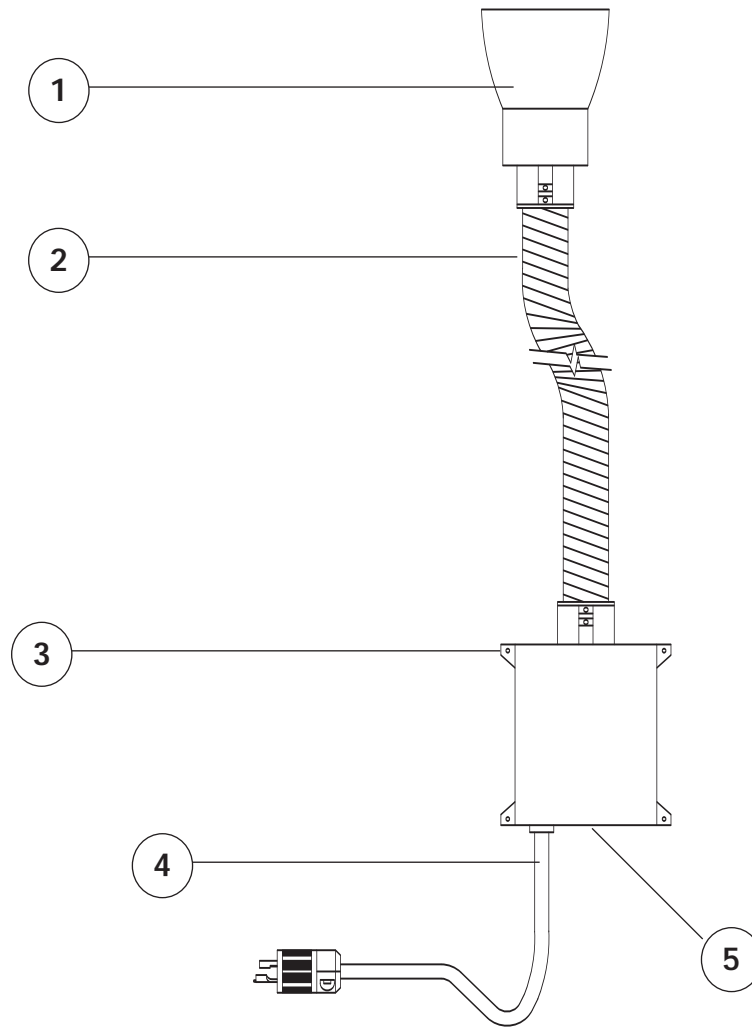
DIMENSIONS



PRODUCT FEATURES

UL 1598 Listed suitable for damp location
Meets NEC and OSHA general safety
requirements. All metal construction for
extended life. Painted "safety yellow" after
fabrication for high visibility. Shipped fully
assembled with 60 watt, low voltage halogen
lamp. Designed with integral electronic step
down transformer.

1. Rust proof aluminum reflector.
2. Totally adjustable 36" arm fabricated from
1-1/2" stainless steel flexible tubing.
3. Heavy duty mounting brackets..
4. Luminaire supplied with 3' black 16/3 type
SJ cord with molded plug.
5. Integrally mounted weather-proof toggle
switch and 120 volt convenience outlet.



Visit our web site at www.daybritelighting.com

776 South Green Street Tupelo, MS 38804 Phone: 662-842-7212 Fax: 662-841-5501

AL-12060

189 Bullock Drive Markham, Ontario Canada L3P 1W4 Phone: 905-294-9570 Fax: 905-294-8911
Day-Brite Lighting reserves the right to make changes without notice. ©March 2006 DL .5M0306
Day-Brite Lighting is a Genlyte Company.

 **Day-Brite® Lighting**