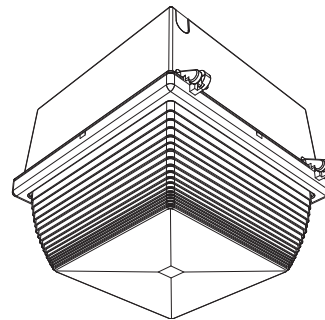


NITE BRITES

GLS-SQUARE PARKING GARAGE LUMINAIRE

50-175 watt Metal Halide
35-150 watt High Pressure Sodium
26-42 watt Compact Fluorescent

The GLS Square Garage Light offers ideal light distribution for areas with ceiling heights up to 15 feet. It has a drop refractor that has been designed to deliver uniform illumination in areas such as parking garages, corridors, industrial areas, storage areas, and maintenance areas.



JOB NAME _____

TYPE _____

ORDERING MATRIX

SAMPLE CATALOG NUMBER: GLS175MMT-Q

GLS				
FAMILY GLS		LAMP SOURCE M - Metal Halide S - High Pressure Sodium P - Pulse Start Metal Halide C - Single Compact Fluorescent D - Dual Compact Fluorescent Q - Four Compact Fluorescent		OPTIONS (add as suffix) CUL - UL Listing to meet CSA standards HR - Hot Restrike (150W HPS only.) LP - Lamp with fixture PE - Photo Control (Not available in 480v) Q - Quartz Standby (HID only) ³⁹ QTD - Quartz Time Delay (HID only) ³⁹ QEM - Quartz Emergency ⁴⁰ (HID only) WDF - Wired Double Fuse ⁴⁵ WSF - Wired Single Fuse ⁴⁶ TR - Tamper Resistant NFZ - Non Food Zone HL - Hi/Lo Ballast (HID Only) ⁵⁶ PSC - Pulse Start CWA
	WATTAGE 035 - 35 ²³ 050 - 50 ⁵ 070 - 70 100 - 100 150 - 150 175 - 175 ⁴ 26C - 26WCFL ⁷² 32C - 32WCFL ⁷² 42C - 42WCFL ⁷²	VOLTAGE 48 - 480 ³² DT - 120/277 MT - 120/208 240/277 U - Universal 108-305 volts 50Hz or 60Hz ⁷² TT - 120/277/347		

Footnotes:

- ⁴Not available in High Pressure Sodium.
- ⁵DT only.
- ²³120V High Pressure Sodium only.
- ³²Not available in 70 watt Metal Halide.
- ³⁹Pre-wired by factory.
- ⁴⁰Requires 120 volt secondary power supply.
- ⁴⁵Use with 208, 240 and 480 volt.
- ⁴⁶Use with 120, 277 and 347 volt.
- ⁵⁶Must specify voltage.
- ⁷²Compact Fluorescent only.

General Notes:

All options are factory installed.
Medium base lamp only.
GX24q lamp base for 26-42W compact fluorescent
All accessories are field installed

Warning: Refer to and follow lamp manufacturer's warnings and instructions.

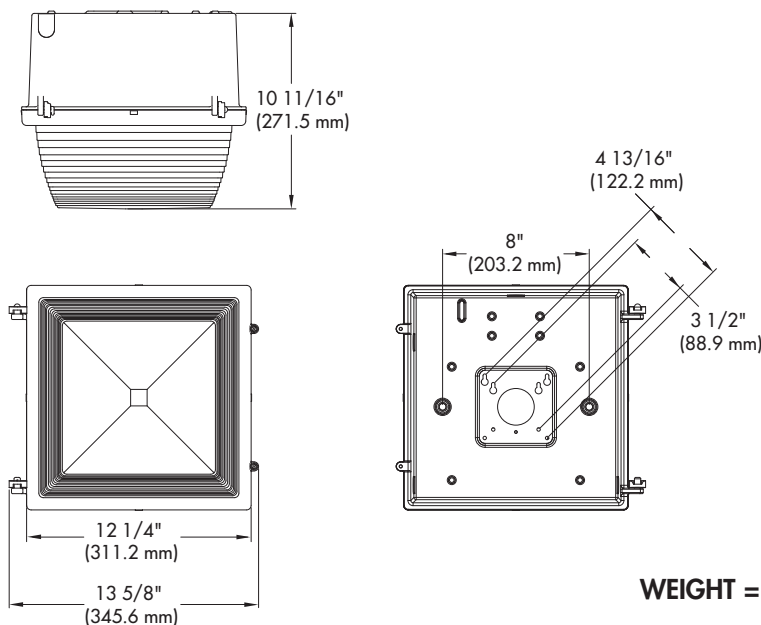
Data subject to change without notice.

ACCESSORIES (order separately)

- PEC-MT - Field Installed Photo Control
- PEC-48 - Field Installed Photo Control
- TP - Tamper Proof Screws and Driver Bit
- WLS-PEC - Field Installed Button Photo Control

(For additional descriptions of Canopy Lighting accessories refer to sheet number OA-50040.)

DIMENSIONS



ENERGY DATA

HIGH PRESSURE SODIUM

NPF BALLAST INPUT WATTS

35 watt-46 watts

HX BALLAST INPUT WATTS

50 watt-66 watts

70 watt-91 watts

100 watt-130 watts

150 watt-188 watts

METAL HALIDE

HX BALLAST INPUT WATTS

50 watt-72 watts

70 watt-90 watts

100 watt-129 watts

150 watt-185 watts

CWA BALLAST INPUT WATTS

150 watt-189 watts

175 watt-210 watts

COMPACT FLUORESCENT

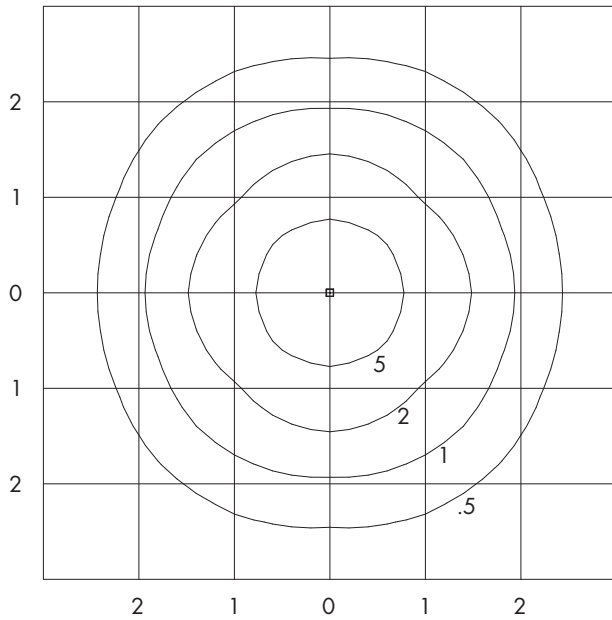
(1) 26 watt - 29 watts

(1) 32 watt - 36 watts

(1) 42 watt - 48 watts

WEIGHT = 18 lbs. (max.)

PHOTOMETRICS



UNITS SHOWN IN TERMS OF MOUNTING HEIGHT
INITIAL FOOTCANDLES SHOWN

CATALOG NUMBER: GLS175MMT
 TEST NUMBER: 27241
 LAMP: METAL HALIDE
 WATTAGE: 175
 LUMENS: 13,500
 MOUNTING HEIGHT: 12 FEET

LIGHT LEVEL MULTIPLYING FACTORS	
MOUNTING HEIGHT	MULTIPLIER
15'	0.64
14'	0.73
13'	0.85
12'	1.00
11'	1.19
10'	1.44
9'	1.78
8'	2.25

ADDITIONAL TEST NUMBERS

DESCRIPTION/CATALOG NUMBER	TEST NUMBER
GLS035S	27239
GLS050S	27239P
GLS070S	272392
GLS100S	27240P
GLS150S	27240
GLS050M	27243P
GLS070M	27243
GLS100M	27242
GLS150M	27241P
GLS42CC	26819
GLS42CD	26815
GLS42CQ	26795

PRODUCT FEATURES

UL 1598 Listed for wet location and 25°C ambient for all wattages listed. Optional NSF Certification for Non Food Zone.

1. Heavy duty, one piece, die cast aluminum housing. "Slant 2" ballast mounting geometry for cooler operation.
2. Sturdy one piece injection molded UV stabilized polycarbonate lens.
3. Die cast aluminum, hinged door frame with two captive stainless steel door screws for efficient maintenance. Tamper resistant stainless steel screws available.
4. Formed white internal reflector combines with prismatic refractor lens to provide wide, even distribution of light.
5. Mounts directly to 3-1/2" octagon or 4" square outlet box. Three 7/8" knockouts provided for convenient surface conduit entry.
6. Dark bronze polyester powder finish for excellent impact, corrosion and UV resistance.

