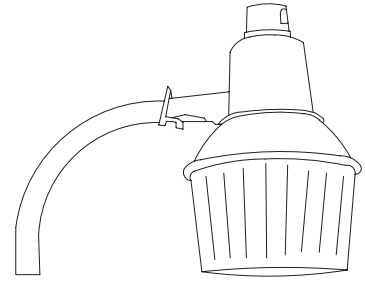


UDD - DUSK-TO-DAWN LIGHT

175 watt Mercury

150 watt High Pressure Sodium



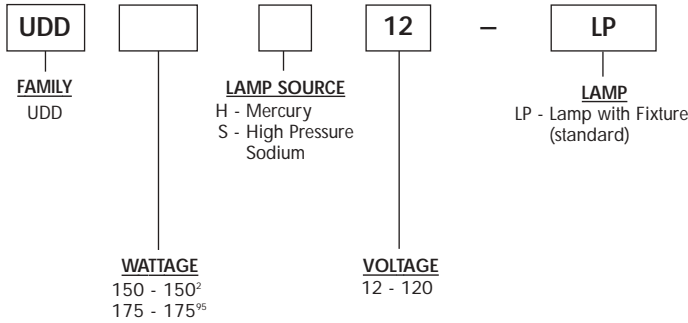
JOB NAME _____

TYPE _____

The UDD Dusk-to-Dawn Area Light is an economical means of illuminating parking lots, entry drives, service roads, and residential yards and drives. The NEMA twist-lock photocell turns the luminaire on at dusk and off at dawn, providing dependable, energy efficient lighting.

ORDERING MATRIX

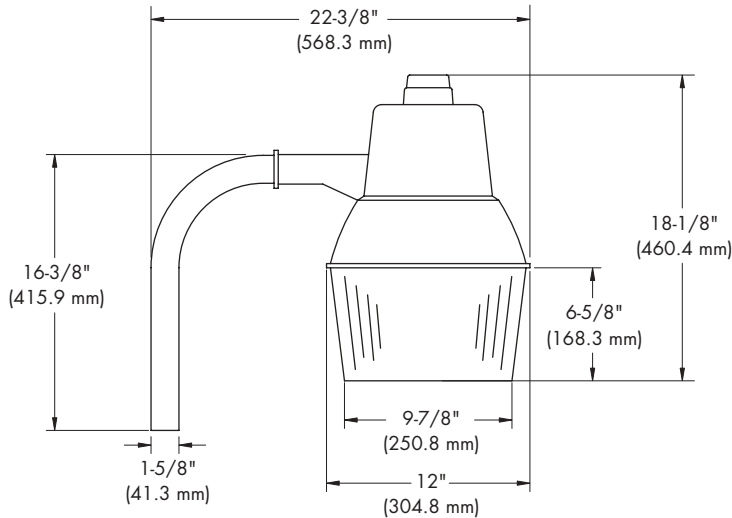
SAMPLE CATALOG NUMBER: UDD175H12-LP



Footnotes:

²High Pressure Sodium only.
⁹⁵Mercury Vapor only.

DIMENSIONS



ENERGY DATA

HIGH PRESSURE SODIUM

HX BALLAST INPUT WATTS
150 watt-188 watts

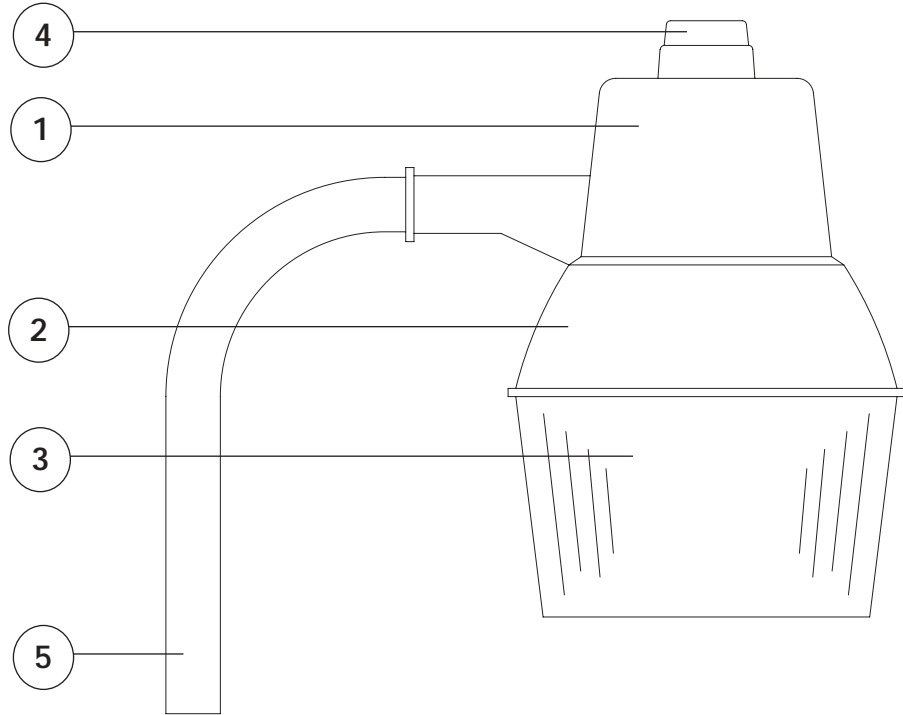
MERCURY

CWA BALLAST INPUT WATTS
175 watt-205 watts

PRODUCT FEATURES

UL 1598 Listed suitable for wet location and 25°C ambient for all lamp wattages listed.

1. Die cast aluminum housing.
2. Specular aluminum reflector.
3. Prismatic acrylic refractor.
4. NEMA twist-lock receptacle and photocontrol standard.
5. Extruded aluminum mounting arm.



Visit our web site at www.daybritelighting.com

776 South Green Street Tupelo, MS 38804 Phone: 662-842-7212 Fax: 662-841-5501

AS-42040

189 Bullock Drive Markham, Ontario Canada L3P 1W4 Phone: 905-294-9570 Fax: 905-294-8911
Day-Brite Lighting reserves the right to make changes without notice. ©December 2003 DL2M1203
Day-Brite Lighting is a Genlyte Thomas Group.

 **Day-Brite® Lighting**