

JOB NAME \_\_\_\_\_

TYPE \_\_\_\_\_

The Canopy Light is ideal for use on building exteriors, walkways or underpasses. The Canopy Light is also NSF Certified for non-food zone applications.

### ORDERING MATRIX

SAMPLE CATALOG NUMBER: CLI175MMT-Q

<b>CLI</b>				
<b>FAMILY</b> CLI		<b>LAMP SOURCE</b> M - Metal Halide S - High Pressure Sodium C - Single Compact Fluorescent D - Dual Compact Fluorescent Q - Four Compact Fluorescent		<b>OPTIONS (add as suffix)</b> CUL - UL Listing to meet CSA standards HR - Hot Restrike (150W HPS only.) LP - Lamp with fixture PE - Photo Control Q - Quartz Standby (HID only) QTD - Quartz Time Delay (HID only) QEM - Quartz Emergency <sup>40</sup> (HID only) WDF - Wired Double Fuse <sup>45</sup> WSF - Wired Single Fuse <sup>46</sup> PX - Polycarbonate Lens TR - Tamper Resistant NFZ - Non Food Zone BDL940/E - Integral DEB-9 Emergency Ballast (26-42W CFL only)
<b>WATTAGE</b> 035 - 35 MED <sup>23</sup> 050 - 50 MED <sup>5</sup> 070 - 70 MED 100 - 100 MED 150 - 150 MED 175 - 175 MOG <sup>1, 33</sup> 26C - 26WCFL <sup>72</sup> 32C - 32WCFL <sup>72</sup> 42C - 42WCFL <sup>72</sup> (Single or Dual) 57C - 57WCFL <sup>72</sup> (Single Only) 60C - 60WCFL <sup>72</sup> (Single Only)			<b>VOLTAGE</b> 12 - 120 20 - 200 24 - 240 27 - 277 34 - 347 48 - 480 <sup>32</sup> DT - 120/277 MT - 120/208 240/277 U - Universal 108-305 volts 50Hz or 60Hz <sup>72</sup>	

#### ACCESSORIES (order separately)

- PEC-MT - Field Installed Photo Control
- PEC-48 - Field Installed Photo Control
- TP - Tamper Proof Screws and Driver Bit
- WLS-PEC - Field Installed Button Photo Control

(For additional descriptions of Canopy Lighting accessories refer to sheet number OA-50040.)

#### Footnotes:

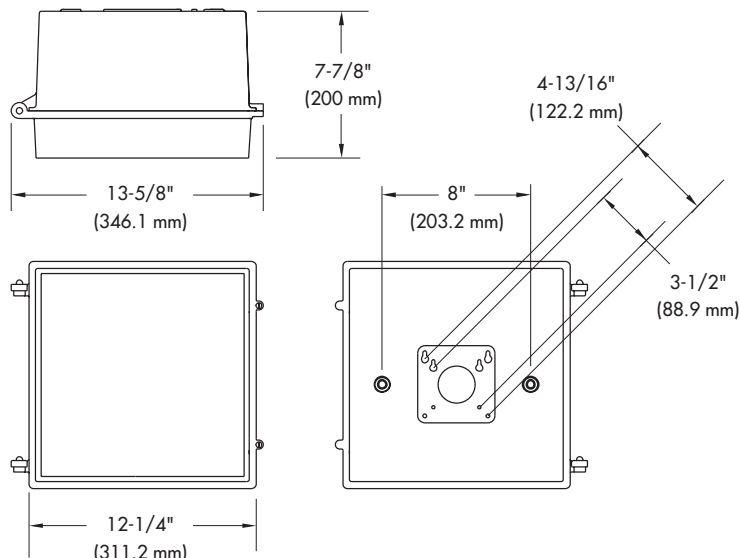
- <sup>1</sup>Metal Halide only.
- <sup>5</sup>DT only.
- <sup>23</sup>120V High Pressure Sodium only.
- <sup>32</sup>Not available in 70 watt Metal Halide.
- <sup>33</sup>Not available in Pulse Start Metal Halide.
- <sup>40</sup>Requires 120 volt secondary power supply.
- <sup>45</sup>Use with 208, 240 and 480 volt.
- <sup>46</sup>Use with 120, 277 and 347 volt.
- <sup>72</sup>Compact Fluorescent only.

#### General Notes:

- All options are factory installed.
- Medium base lamp: 35-150 watt.
- Mogul base lamp: 175 watt.
- GX24q lamp base for 26-57W compact fluorescent
- 2G8 Lamp base for 60W PL-H compact fluorescent

**Warning:** Refer to and follow lamp manufacturer's warnings and instructions.

### DIMENSIONS



### ENERGY DATA

#### HIGH PRESSURE SODIUM

NPF BALLAST INPUT WATTS	35 watt-46 watts
HX BALLAST INPUT WATTS	50 watt-66 watts 70 watt-91 watts 100 watt-130 watts 150 watt-188 watts

#### METAL HALIDE

HX BALLAST INPUT WATTS	50 watt-72 watts 70 watt-90 watts 100 watt-129 watts 150 watt-185 watts
------------------------	--

#### CWA BALLAST INPUT WATTS

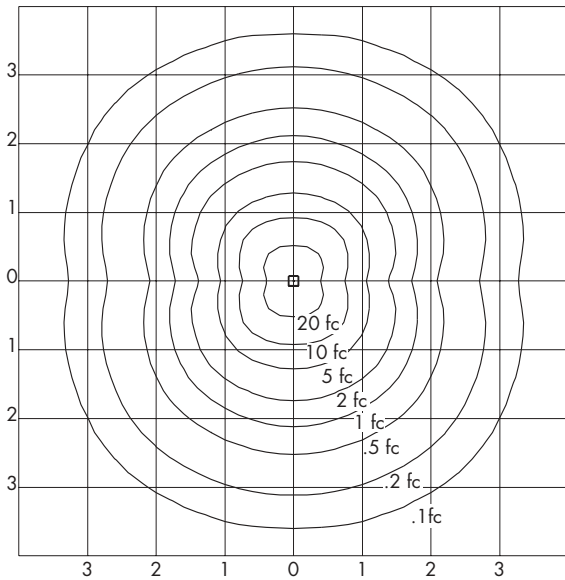
150 watt-189 watts
175 watt-210 watts

#### COMPACT FLUORESCENT

(1) 26 watt - 29 watts
(1) 32 watt - 36 watts
(1) 42 watt - 48 watts
(1) 57 watt - 59 watts
(1) 60 watt - 70 watts

**WEIGHT = 18 lbs. (max.)**

## PHOTOMETRICS



UNITS SHOWN IN TERMS OF MOUNTING HEIGHT  
INITIAL FOOTCANDLES SHOWN

CATALOG NUMBER: CLI175MMT  
TEST NUMBER: CLI175M  
LAMP: METAL HALIDE  
WATTAGE: 175  
LUMENS: 13,500  
MOUNTING HEIGHT: 10 FEET

LIGHT LEVEL MULTIPLYING FACTORS	
MOUNTING HEIGHT	MULTIPLIER
15'	0.44
14'	0.51
13'	0.59
12'	0.69
11'	0.83
10'	1.00
9'	1.23
8'	1.56

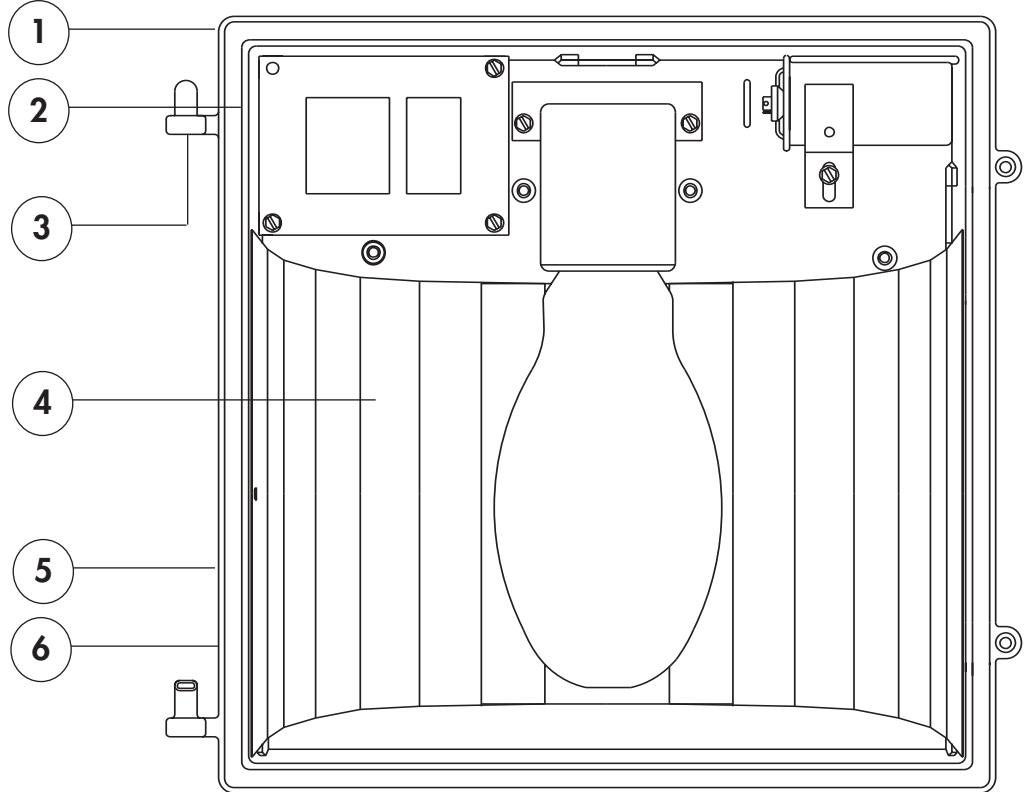
### ADDITIONAL TEST NUMBERS

DESCRIPTION/CATALOG NUMBER	TEST NUMBER
CLI070SMT	CLI070S
CLI100SMT	CLI100S
CLI150SMT	CLI150S
CLI070MMT	CLI070M
CLI100MMT	CLI100M

## PRODUCT FEATURES

UL 1598 Listed for wet location and 25°C ambient for all wattages listed. Optional NSF Certification for Non Food Zone.

1. Heavy duty, one piece, die cast aluminum housing. "Slant 2" ballast mounting geometry for cooler operation.
2. Sturdy one piece injection molded acrylic lens or vandal resistant polycarbonate lens (optional).
3. Die cast aluminum, hinged door frame with two captive stainless steel door screws for efficient maintenance. Tamper resistant stainless steel screws available.
4. Formed white internal reflector combines with prismatic refractor lens to provide wide, even distribution of light.
5. Mounts directly to 3-1/2" octagon or 4" square outlet box. Three 7/8" knockouts provided for convenient surface conduit entry.
6. Dark bronze polyester powder finish for excellent impact, corrosion and UV resistance.



Visit our web site at [www.daybritelighting.com](http://www.daybritelighting.com)

776 South Green Street Tupelo, MS 38804 Phone: 662-842-7212 Fax: 662-841-5501

**CL-44020.1** 189 Bullock Drive Markham, Ontario Canada L3P 1W4 Phone: 905-294-9570 Fax: 905-294-8911  
Day-Brite Lighting reserves the right to make changes without notice. ©August 2005. DL2.5M0805  
Day-Brite Lighting is a Genlyte Thomas Group.

 **Day-Brite® Lighting**  
a Genlyte company