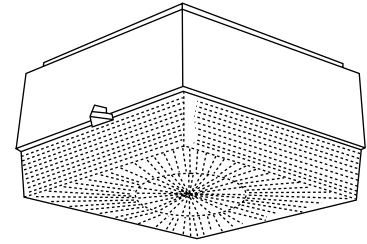




# NCL-SMALL CANOPY LIGHT

50-70 watt High Pressure Sodium

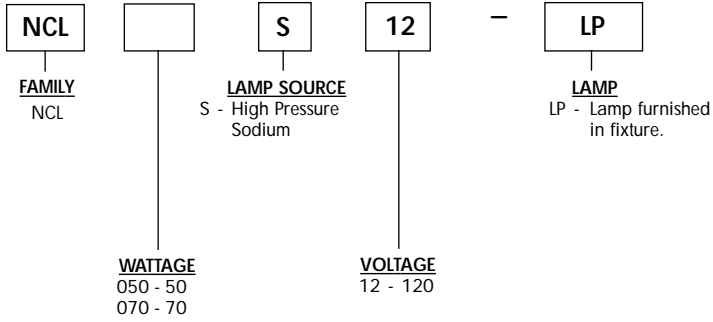


JOB NAME \_\_\_\_\_  
 TYPE \_\_\_\_\_

The NCL Canopy Light is ideal for use on building exteriors, walkways or underpasses.

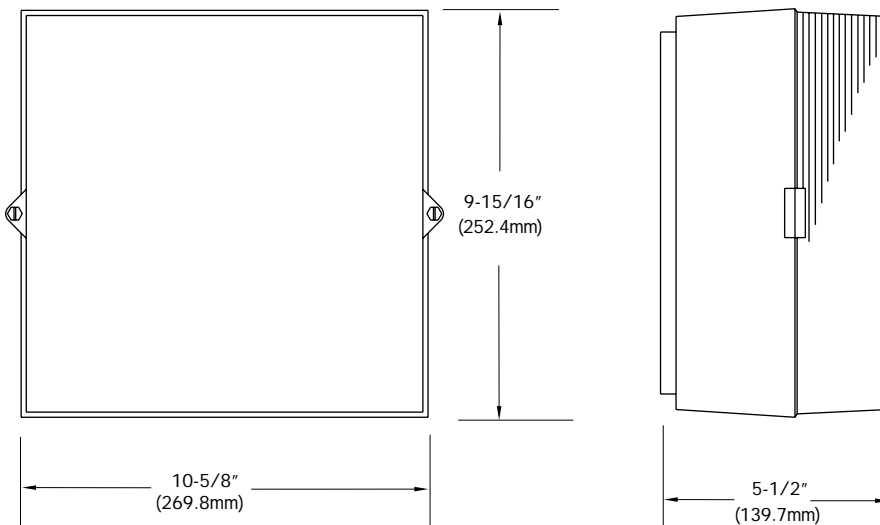
## ORDERING MATRIX

SAMPLE CATALOG NUMBER: NCL050S12-LP



General Notes:  
Medium base lamp only.

## DIMENSIONS



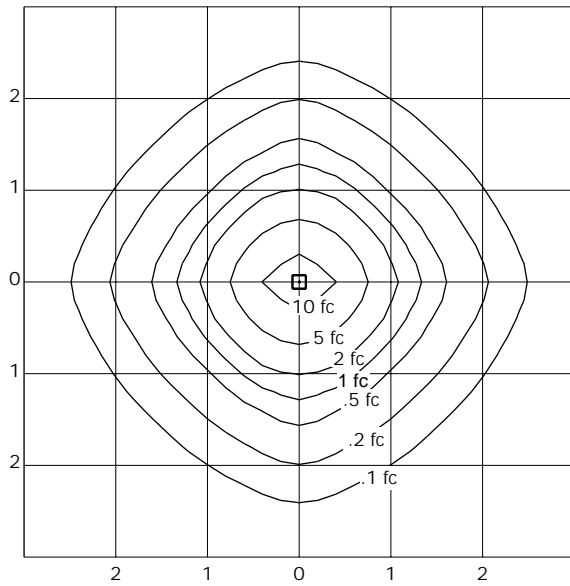
## ENERGY DATA

### HIGH PRESSURE SODIUM

NPF BALLAST INPUT WATTS  
 50 watt-62 watts  
 70 watt-86 watts

**WEIGHT = 6.5 lbs.**

## PHOTOMETRICS



CATALOG NUMBER: NCL050S12-LP  
 TEST NUMBER: 21493  
 LAMP: HPS  
 WATTAGE: 50  
 LUMENS: 4000  
 MOUNTING HEIGHT: 10 FEET

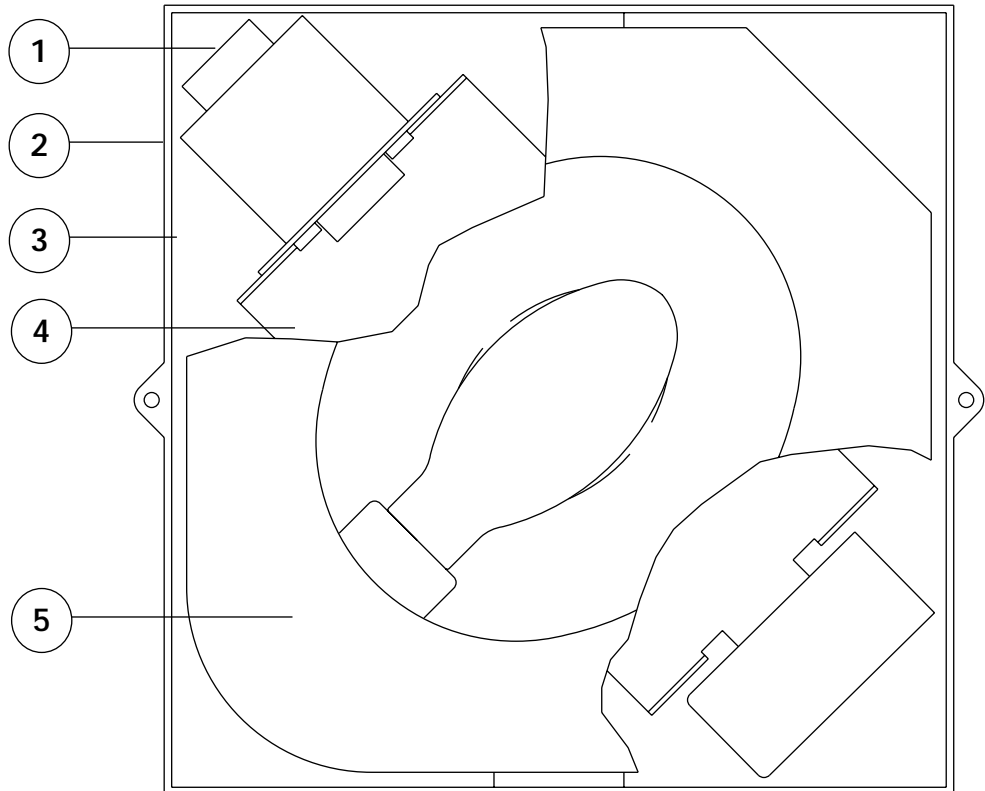
LIGHT LEVEL MULTIPLYING FACTORS	
MOUNTING HEIGHT	MULTIPLIER
15'	0.44
14'	0.51
13'	0.59
12'	0.69
11'	0.83
10'	1.00
9'	1.23
8'	1.56

UNITS SHOWN IN TERMS OF MOUNTING HEIGHT  
 INITIAL FOOTCANDLES SHOWN

## PRODUCT FEATURES

UL 1598 Listed for wet location and 25°C ambient.

1. NPF core and coil reactor ballast.
2. One piece polycarbonate housing with impregnated dark bronze color for exceptional weatherproof durability.
3. One piece injection molded, UV stabilized, prismatic polycarbonate lens.
4. Aluminum mounting bracket mounts to 3-1/2" octagon or 4" square outlet box.
5. One piece hydroformed aluminum reflector combines with prismatic refractor for wide, symmetrical distribution of light.



Visit our web site at [www.daybritelighting.com](http://www.daybritelighting.com)

776 South Green Street Tupelo, MS 38804 Phone: 662-842-7212 Fax: 662-841-5501

**CL-44030**

189 Bullock Drive Markham, Ontario Canada L3P 1W4 Phone: 905-294-9570 Fax: 905-294-8911  
 Day-Brite Lighting reserves the right to make changes without notice. ©September 2001. DL2.5M0901  
 Day-Brite Lighting is a Genlyte Thomas Group.

 **Day-Brite Lighting**