

PR75ASIC

6" Recessed AirSeal™ IC Rated Downlight

Catalog Number: _____

Type: _____

Project: _____



Description

For new construction. Thermally protected, IC rated recessed housing, cUL listed for use in direct contact with thermal insulation. Breakaway plaster frame permits use as a remodel fixture. Furnished with pre-installed adjustable bar hangers. Listed for Through-Branch Circuit Wiring and Damp Locations.

Features

- Housing adjusts vertically in plaster frame to allow for variations in ceiling thickness.
- Detachable compact plaster frame allows fixture to be passed through 6-3/8" ceiling opening for remodel applications.
- Junction box has four Romex® pry-outs, eliminating the need for adapters.
- 90 watt maximum.
- AirSeal™ rated.
- Removable adjustable socket holder plate allows precise adjustments to any position without tools.
- Thermal protection standard.
- cUL listed for direct contact with thermal insulation. Listed for Through-Branch Circuit Wiring and Damp Locations.

CATALOG SYSTEM AND OPTIONS

SAMPLE CATALOG NUMBER: PR75ASIC-RB30

HOUSING

PR75ASIC

TRIMS (choose only one)

RB30	Full Baffle Black
RB30W	Full Baffle White
RB40W	Full White Baffle
RB40	Full Black Baffle
RC30G	Gold Cone
RC30C	Clear Cone
RC30BK	Black Cone
RC30W	White Cone
RA100W	White Multiplier
RA100G	Gold Multiplier
RA100C	Clear Multiplier
RBC30	Black w/Leaf Springs
RBC30W	Full White w/Leaf Springs
RBC30WM	Full White Baffle w/Torsion Springs
RAC30W	Full White Cone w/Leaf Springs
RAC30	Black Cone w/Leaf Springs
RF30SB	Satin Brass Open
RF30C	Chrome
RF30W	White

RS30W	White Splay
RS30BRN	Brushed Nickel Splay
RM38W	White Stepped Baffle
RM38	Black Stepped Baffle
RM48	Black Stepped Baffle
RM48W	White Stepped Baffle/Regressed Eyeball
SHR12IC	White Opal Shower
SHR16IC	Drop Glass Shower Light
RMS30GLD	Gold Reflector
RMS30CLR	Clear Reflector
RMS30BLK	Black Reflector
RMS30W	White Reflector
RM30	Black Baffle
RM30W	White Baffle
SH12ICP	Albatite Shower Trim
SH16ICP	Drop Opal Shower Trim
R18P	White Eyeball
R18PB	Polished Brass Eyeball
R18BRN	Brushed Nickel Eyeball
R30B	Anodized Satin Brass Open Trim

R30C	Anodized Satin Chrome
R30P	White
R30PB	Polished Brass
R30BRN	Brushed Nickel
R19P	Black Stepped Baffle, White Recessed Glass Drop Shower Light
SH36P	
RCS30	Shallow Cone Clear
RCS30W	Shallow Cone White Baffled Eyeball
R38P	
RM40	Black Stepped Baffle
RM40W	White Stepped Baffle
RBS30	Shallow Baffle Black
RBS30W	Shallow Baffle White
R6SHR	Open Shower Light
RBD40	Deep Stepped Baffle Black
RBD40W	Deep Stepped Baffle White
HS30CLR	Economy Clear Reflector
HS30GLD	Economy Gold Reflector
HS30BLK	Economy Black Reflector



General Notes:

See Trims on reverse side of the sheet for lamp compatibility.

SPECIFICATIONS

1. Housing - Die-formed all-aluminum construction. For use in direct contact with thermal insulation. Adjusts vertically in plaster frame to accommodate ceilings 1/2" to 1-1/2" thick. Housing can be pulled through plaster frame for access to junction box. Accommodates lamps up to 90 watts, depending on trim used. Ceiling opening 6-3/8". Top of housing constructed of galvanized steel.

2. Plaster Frame - Die-formed galvanized steel, detachable from housing for use as remodel housing, installed through 6-3/4" hole from below ceiling.

3. Socket - Medium base screw shell porcelain socket, mounted with snap-in clips to adjustable socket holder. Adjustable socket plate, retained by single wing-nut, adjusts vertically to accommodate a variety of lamp and trim options. Socket plate is easily removed for use with socket supporting trims.

4. Bar Hangers - Pre-installed pre-nailed BH6 style bar hangers telescope from 16" to 24". Vertical design of interlocking bar hangers prevents sagging even at full 24" extension. BH6 style barhangers may be used on either long or short axis of housing.

5. Thermal Protection - Standard thermal protection device inside housing automatically takes the fixture out of service if temperature becomes excessive from overlampping or wrong lamp /trim combination.

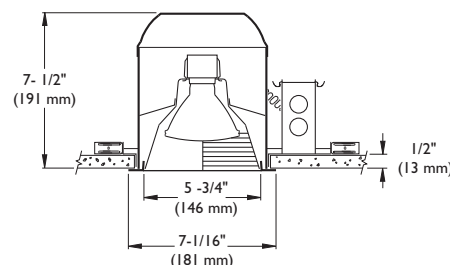
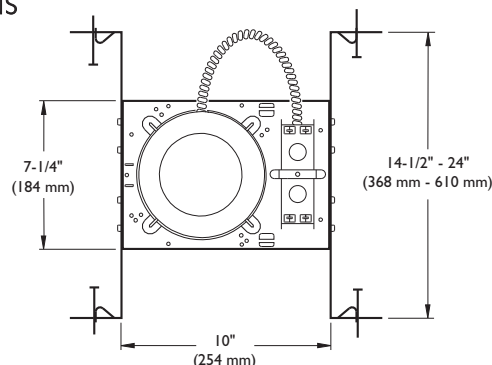
6. cUL listed - for damp locations and through branch 4 in/4 out wiring.

7. Junction Box - Extra-large 25 cubic inch 16 gauge galvanized steel with two snap-on covers and grounding pigtail. Knockouts for 1/2" and 3/4" conduit, and four Romex® pry-outs with strain relief. Meets all safety requirements of U.L. and N.E.C.

Accessories (Order separately)

Pair of 24" Flat Bar Hangers	BH3
T-Bar Clips - set of four	TC-5

DIMENSIONS



(shown with socket supporting trim)

REV. 09/10



PHILIPS CAPRI
776 South Green St., Tupelo, MS 38804
Phone 662.842.7212 FAX 662.841.5501
www.caprilighting.com

PHILIPS DAY-BRITE CANADA
189 Bullock Drive, Markham, Ontario, Canada L3P 1W4
Phone 905.294.9570 FAX 800.268.0003
www.day-britecanada.com

CP1-5

PR75ASIC TRIMS



RB30 (Shown)
Full Black Baffle

RB30W
Full White Baffle

Socket Supporting

7-1/16" O.D. (179 mm)

Housing	Lamp	IC Only
PR75ASIC	R/BR30	75W
	PAR30LN	
	PAR30	50W
	PAR38	90W



RB40W (Shown)
Full White Baffle

RB40
Full Black Baffle
Socket Supporting

7-1/16" O.D. (179 mm)

Housing	Lamp	IC Only
PR75ASIC	R/BR30	75W
	PAR30LN	
	BR40	90W
	PAR30	50W
	PAR38	90W



RC30G (Shown)
Gold Cone

RC30C Clear Cone
RC30BK Black Cone
RC30W White Cone
Socket Supporting

7-1/16" O.D. (179 mm)

Housing	Lamp	IC Only
PR75ASIC	R/BR30	75W
	PAR30LN	
	PAR30	50W
	PAR38	90W



RA100W (Shown)
White Multiplier

RA100G Gold Multiplier
RA100C Clear Multiplier
Socket Supporting

7-1/16" O.D. (179 mm)

Housing	Lamp	IC Only
PR75ASIC	R/BR30	75W
	PAR30LN	
	A19	
	R/BR40	90W
	PAR30	50W
	PAR38	90W



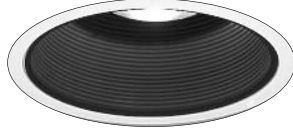
RF30SB (Shown)
Satin Brass Open Trim
with Socket Bracket

RF30C Chrome
RF30W White

Socket Supporting

8" O.D. (203 mm)

Housing	Lamp	IC Only
PR75ASIC	R/BR30	65W
	PAR30	50W



RM30 (Shown)
Black Stepped Baffle

RM30W
White Stepped Baffle

Bracket Required

7-3/8" O.D. (187 mm)

50W PAR30, 75W R30

Housing	Lamp	IC Only
PR75ASIC	R/BR30	75W
	PAR30	50W



RS30W
White Splay

RS30BRN
Brushed Nickel Splay

Socket Supporting

7-1/16" O.D. (179 mm)

75W R30, 75W PAR30

Housing	Lamp	IC Only
PR75ASIC	R/BR30	75W
	PAR30LN	
	PAR30	

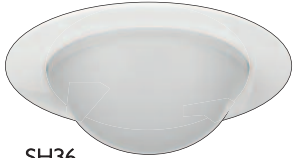


R30B (Shown)
Anodized Satin Brass Open Trim
R30C Anodized Satin Chrome
R30P White
R30PB Polished Brass
R30BRN Brushed Nickel

Bracket Required

8" O.D. (203 mm)

Housing	Lamp	IC Only
PR75ASIC	R/BR30	65W

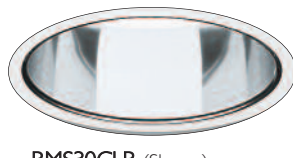


SH36
Drop Round Shower Light
Wet Location Approved

Socket Supporting

8" O.D. (203 mm)

Housing	Lamp	IC Only
PR75ASIC	A19	40W



RMS30CLR (Shown)
Clear Reflector

RMS30GLD
Gold Reflector
RMS30BLK
Black Reflector
RMS30WHT
White Reflector

Bracket Required

7-3/8" O.D. (187 mm)

Housing	Lamp	IC Only
PR75ASIC	R/BR30	75W
	PAR30	50W



SH12IC
Albalite Shower Light
Wet location approved

Socket Supporting

8" O.D. (203 mm)

25W A19

Housing	Lamp	IC Only
PR75ASIC	A19	25W



SH16IC
Drop Opal Shower Light
Wet location approved

Socket Supporting

8" O.D. (203 mm)

Housing	Lamp	IC Only
PR75ASIC	A19	40W



RBC30 (Shown)
Black Baffle w/Leaf Spring

RBC30W
Full White Baffle w/ Leaf Spring

Socket Supporting

7-1/16" O.D. (179 mm)

Housing	Lamp	IC Only
PR75ASIC	R/BR30	75W
	PAR30LN	
	PAR30	50W
	PAR38	90W



R18P
White Eyeball (shown)

R18PB
Polished Brass

Socket Supporting

30°Tilt
8" O.D. (203 mm)

Housing	Lamp	IC Only
PR75ASIC	R/BR30	75W
	PAR30LN	



SHR12IC
Regressed Glass Shower Light
Wet Location Approved

Socket Supporting

8" O.D. (203 mm)

Housing	Lamp	IC Only
PR75ASIC	A19	25W



SHR16IC
Regressed Glass Drop Opal
Shower Light
Wet Location Approved

Socket Supporting

8" O.D. (203 mm)

Housing	Lamp	IC Only
PR75ASIC	A19	25W

The most popular trims for this housing are shown above, however all the trims available are listed for selection in the catalog system. If the trim selected in the catalog system is not shown above please consult the Capri Trim Gallery at www.caprilighting.com.

Philips Capri reserves the right to make changes without notice.©2010