

NITE BRITES

JOB NAME _____

TYPE _____

BIS-RLM SERIES - SUZETTE

50-175 watt Metal Halide
35-150 watt High Pressure Sodium
26-60 watt Compact Fluorescent
18 watt LED



The RLM Series offers unique designs and old standards to enhance the aesthetic appeal of restaurants, retail stores, businesses, and other areas where decorative reflector units are desired.

ORDERING MATRIX

SAMPLE CATALOG NUMBER: BIS175MXX-SUZ-GEC-GU-GV

BIS			XX	-	SUZ	-		-		-	
FAMILY BIS		LAMP SOURCE C - Compact Fluorescent M - Metal Halide S - High Pressure Sodium I - Incandescent L - LED			REFLECTOR SUZ - Suzette				GUARD Blank - No Guard GU - Guard		
	WATTAGE		VOLTAGE			GLOBE			PAINT COLORS		
	035 - 35 ²³ 050 - 50 ⁵ 070 - 70 100 - 100 150 - 150 175 - 175 ¹ 200 - 200 ⁹⁶ 26C - 26WCFL ⁷² 32C - 32WCFL ⁷² 42C - 42WCFL ⁷² 57C - 57WCFL ⁷² 60C - 60WCFL ⁷² 18W - 18W Neutral White 18A - 18W Amber 18B - 18W Blue 18G - 18W Green 18R - 18W Red		XX - Universal			Blank - No Globe GEC - Elongated Clear GEP - Elongated Prismatic GES - Elongated Sandblast (standard for LED) GEO - Elongated Opal GRO - Round Opal (100W max. incandescent & 26C only) GFO - Flat Opal (100W max. incandescent only) GEA - Elongated Amber GEB - Elongated Blue GER - Elongated Red GEG - Elongated Green		WT - White BK - Black BZ - Bronze GY - Gray AL - Aluminum GV - Galvanized SY - Sunflower Yellow FR - Fire Red LB - Cornflower Blue DB - Deep Ocean Blue FG - Forest Green GB - Gloss Black CP - Metallic Copper BM - Metallic Bronze NK - Metallic Nickel GS - Greystone BS - Brownstone			

Footnotes:
¹Metal Halide only.
⁵DT only.
²³120V High Pressure Sodium Only.
⁷²Compact Fluorescent Only.
⁹⁶Incandescent Only.

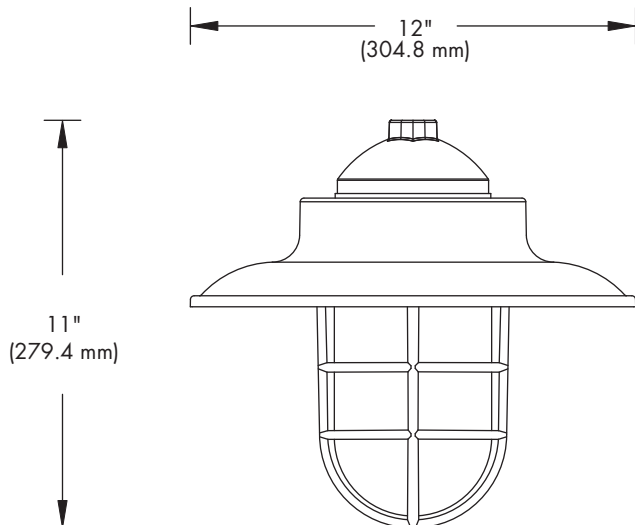
ACCESSORIES (order separately)

For additional descriptions of accessories, refer to sheet numbers DC-47900 and DC-47910.

General Notes:
All options are factory installed.
Medium base lamp only.
GX24q lamp base for 26-57W compact fluorescent.
2G8 lamp base for 60W compact fluorescent.
All accessories are field installed.

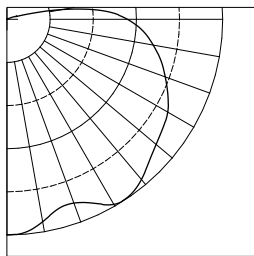
Warning: Refer to and follow the lamp manufacturer's warnings and instructions.

DIMENSIONS

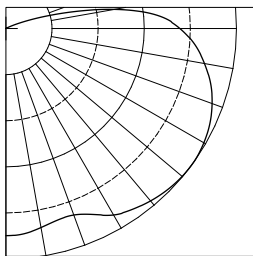


Day-Brite® Lighting

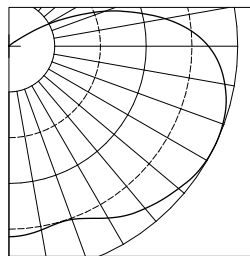
BIS - RLM SERIES - SUZETTE DC-47110.1



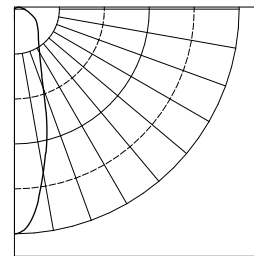
BIS1001XX-SUZ-GEP
 TEST NUMBER: 26252
 LAMP: 100W A19
 LUMENS: 1,680
 MOUNTING HEIGHT: 12 FEET



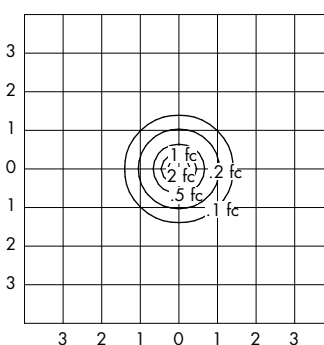
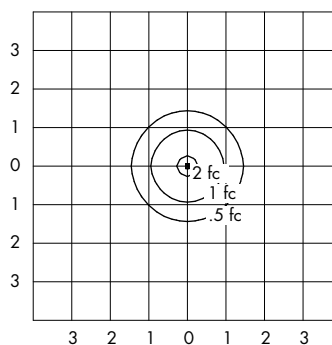
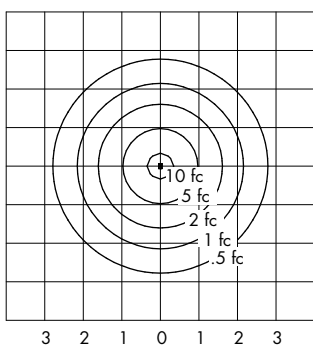
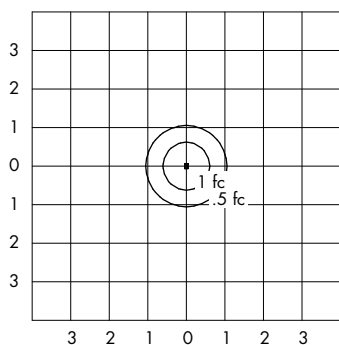
BIS175MX-SUZ-GEP
 TEST NUMBER: 26253
 LAMP: 175W MH, COATED
 LUMENS: 15,000
 MOUNTING HEIGHT: 12 FEET



BIS42CCXX-SUZ-GEP
 TEST NUMBER: 26295
 LAMP: 42W CFL
 LUMENS: 3,200
 MOUNTING HEIGHT: 12 FEET



BIS18WLXX-SUZ-GES
 TEST NUMBER: 27589
 LAMP: 18W LED NEUTRAL WHITE
 LUMENS: 700
 MOUNTING HEIGHT: 12 FEET



UNITS SHOWN IN TERMS OF MOUNTING HEIGHT
 INITIAL FOOTCANDLES SHOWN

PRODUCT FEATURES

- UL 1598 Listed for wet location and 25°C ambient for all lamp wattages listed.
- 1. 1/2" NPT threaded hub for easy, positive mounting.
- 2. Die cast aluminum pendant mount assembly with polyester powder finish.
- 3. Spun aluminum reflector assembly with polyester powder finish.
- 4. Optional heat and shock resistant glass optical.
- 5. Optional die cast aluminum guard with polyester powder finish. (Not shown)

