

NITE BRITES

JOB NAME _____

TYPE _____

BBR-RLM SERIES - LARGE RECESSED HOUSING

50-175 watt Metal Halide
35-150 watt High Pressure Sodium
26-60 watt Compact Fluorescent

The RLM Series offers unique designs and old standards to enhance the aesthetic appeal of restaurants, retail stores, businesses, and other areas where decorative reflector units are desired.



Day-Brite® Lighting

ORDERING MATRIX

SAMPLE CATALOG NUMBER: BBR100MMT-WT

BBR	[]	[]	[]	-	[]	-	[]
FAMILY BBR		LAMP SOURCE C - Compact Fluorescent M - Metal Halide S - High Pressure Sodium			PAINT COLORS WT - White BK - Black BZ - Bronze GY - Gray AL - Aluminum GV - Galvanized SY - Sunflower Yellow FR - Fire Red LB - Cornflower Blue DB - Deep Ocean Blue FG - Forest Green GB - Gloss Black CP - Metallic Copper BM - Metallic Bronze NK - Metallic Nickel GS - Greystone BS - Brownstone		
	WATTAGE 035 - 35 ²³ 050 - 50 ⁵ 070 - 70 100 - 100 150 - 150 175 - 175 ¹ 26C - 26WCFL ⁷² 32C - 32WCFL ⁷² 42C - 42WCFL ⁷² 57C - 57WCFL ⁷² 60C - 60WCFL ⁷²		VOLTAGE 12 - 120 20 - 208 24 - 240 27 - 277 34 - 347 48 - 480 ³² DT - 120/277 TT - 120/277/347 MT - 120/208 240/277 U - Universal 108-305 volts 50Hz or 60Hz ⁷²				OPTIONS (add as suffix) WEB - HID Electronic Ballast BDL940/E - Integral DEB-9 Emergency Ballast (26-42W CFL only)

ACCESSORIES (order separately)

For additional descriptions of accessories, refer to sheet numbers DC-47900 and DC-47910.

Footnotes:

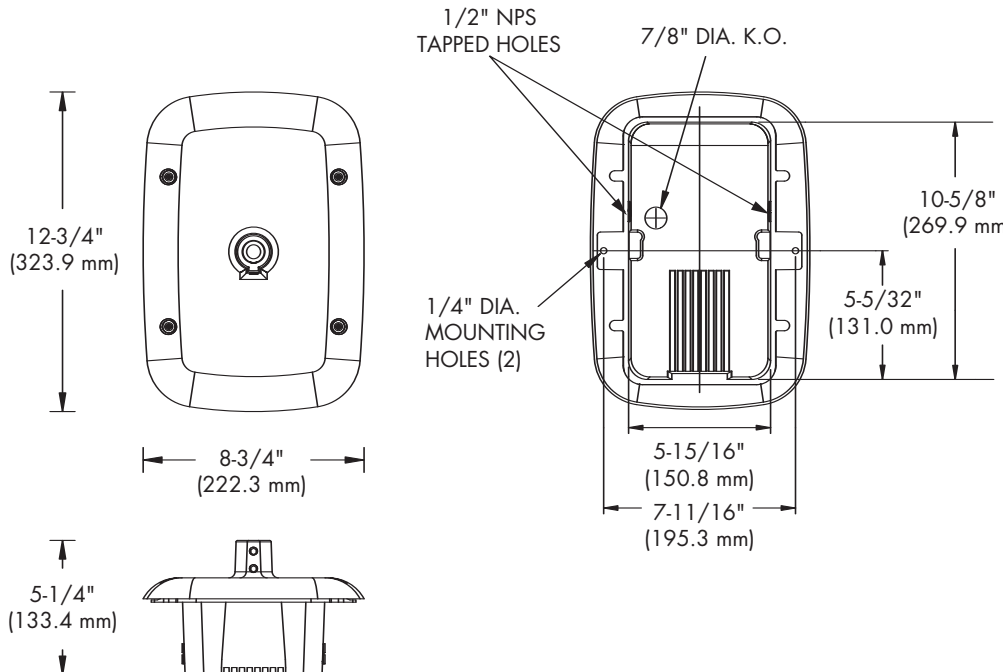
- ¹Metal Halide only.
- ²DT only.
- ²³120V High Pressure Sodium Only.
- ⁷²Compact Fluorescent Only.

General Notes:

- All options are factory installed.
- All accessories are field installed.

Warning: Refer to and follow the lamp manufacturer's warnings and instructions.

DIMENSIONS



ENERGY DATA

HIGH PRESSURE SODIUM

REACTOR BALLAST INPUT WATTS	35 watt-46 watts
HX-HPF BALLAST INPUT WATTS	50 watt-66 watts
	70 watt-91 watts
	100 watt-130 watts
	150 watt-188 watts

METAL HALIDE

HX-HPF BALLAST INPUT WATTS	50 watt-72 watts
	70 watt-90 watts
	100 watt-129 watts
	150 watt-189 watts
CWA BALLAST INPUT WATTS	175 watt-210 watts

COMPACT FLUORESCENT

	26 watt-29 watts
	32 watt-36 watts
	42 watt-48 watts
	57 watt-57 watts
	60 watt-70 watts

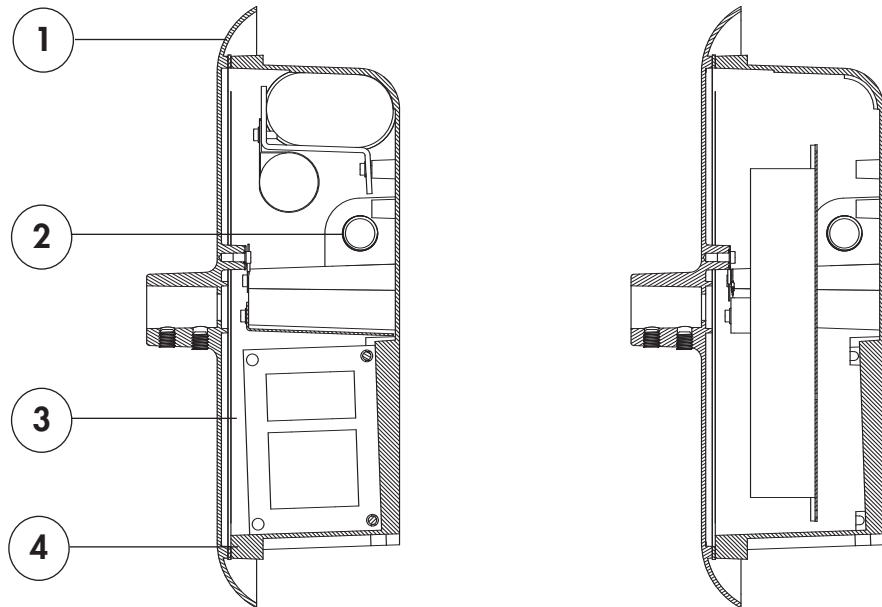
BBR - RLM SERIES - LARGE RECESSED HOUSING

DC-47930

PRODUCT FEATURES

UL 1598 Listed for wet location and 25°C ambient for all lamp wattages listed.

1. Heavy duty two piece, die cast aluminum housing with polyester powder finish.
2. 1/2" NPS tapped holes provided in two locations for side entry and one 7/8" knockout for rear entry.
3. Recessed mounting with flanges provided on either side of back box.
4. Silicone gasketing provides protection against moisture.



Visit our web site at www.daybritelighting.com

776 South Green Street Tupelo, MS 38804 Phone: 662-842-7212 Fax: 662-841-5501

189 Bullock Drive Markham, Ontario Canada L3P 1W4 Phone: 905-294-9570 Fax: 905-294-8911

Day-Brite Lighting reserves the right to make changes without notice. ©August 2006. DL.5M0806

Day-Brite Lighting is a Genlyte Company.

DC-47930

 **Day-Brite® Lighting**
a Genlyte company