

Job Name: \_\_\_\_\_

Type: \_\_\_\_\_

Voltage: \_\_\_\_\_



### CODES AND STANDARDS

UL 924 "Auxiliary Power and Lighting Equipment" Listed  
 UL damp location listing standard

### VOLTAGE INPUT

120/277 VAC, 60Hz

### APPLICATION

Emergency illumination is provided to designated fluorescent luminaires by transferring backup generator or inverter power to the AC ballast. The designated emergency luminaire can be locally switched, and will provide full rated light output when operating from emergency power. Operating temperature is 32°F (0°C) to 122°F (50°C).

### OPERATION

The MTD is designed to be factory or field installed in the luminaire's ballast channel or mounted on top when using the supplied end cap. The MTD Transfer Device senses the loss of normal power and switches the AC ballast input power connection to an unswitched supplied lighting circuit.

### HOUSING

Housing and cover are constructed of 24 gauge galvanized steel. Low profile housing allows mounting in most low profile fluorescent luminaires with low profile AC ballast.

### ILLUMINATION

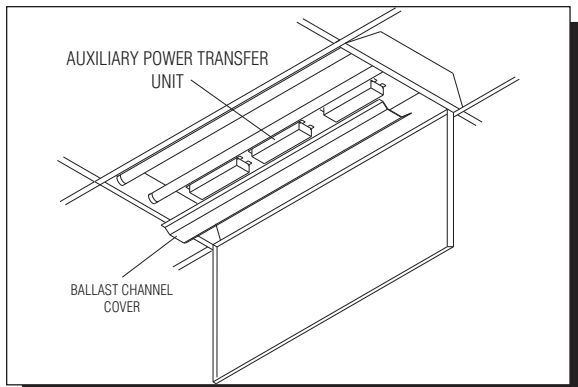
Unit shall be capable of transferring emergency power, from a generator or inverter directly to the AC ballast.

### RESTRICTIONS

MTD is suitable for indoor or damp locations and for sealed and gasketed fixtures.

### CATALOG NUMBER

**MTD** - mcPhilben (Auxiliary Power) Transfer Device (for internal luminaire mounting)



# MTD (Auxiliary Power) Transfer Device

## SPECIFICATIONS

### INSTALLATION AND OPERATION

Unit shall be easily field connected to a 120 or 277 VAC, 60 Hz, unswitched power source. Unit shall also be easily field connected to an auxiliary power source such as a generator or AC Inverter system. Installation must comply with the NEC as well as other applicable codes. Upon utility failure, the unit shall automatically transfer auxiliary power to the AC ballast and provide full lumen output from the designated emergency luminaire.

### TRANSFER FUNCTION

Unit shall have 120/277 VAC dual input voltage and all inputs shall be fused to 3 amps. Transfer to the emergency mode shall be automatic and independent of the wall switch position.

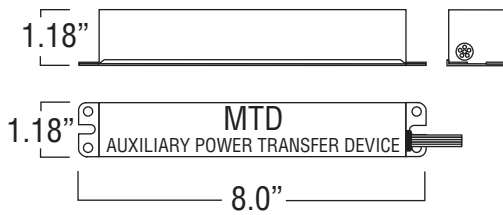
### ELECTRICAL & MECHANICAL

- Dual input voltage 120/277
- AC input current—280mA
- AC input power rating—1.6W
- Temperature rating—  
32°F (0°C) to 122°F (50°C)
- Weight—0.50 lbs.

### WARRANTY

Five year warranty from date of purchase.

## DIMENSIONS



## WIRING DIAGRAMS

