

Job Name: _____

Type: _____

Voltage: _____



OVERALL CHARACTERISTICS

When used with an emergency power source (i.e. mcPhilben Inverter Systems, generator) the MTD220 allows independent control (occupancy Sensor, Photocell, Energy Management, etc.) of luminaires during normal power conditions.

The MTD220 will automatically override control of selected luminaires and insure their illumination in the event of a power failure.

The MTD220 is capable of switching two separate 20 amp circuits at 120VAC/277VAC, or one 2 pole 20 amp circuit at 208VAC/240VAC.

APPLICATION

Conference Rooms

Classrooms

Auditoriums

Exterior Egress

Any switchable luminaire that supplies emergency illumination for life safety.

HOUSING

Enclosure constructed of 3-gang masonry box fabricated from 16 gauge galvanized steel.

Acid resistant, off-white powder coat finish.

Faceplate made of 18 gauge galvanealed steel.

Pre-wired, color coded leads are routed through the attached 6" flexible conduit facilitating recessed drywall installation.

ELECTRONICS

60.0 Hz - 120/277V

The green "Utility" indicator light is illuminated when the lighting loads are controlled by their normal mode switching device.

The red "Emergency" indicator light is illuminated when the normal mode switching device is disabled and the lighting loads are in emergency mode.

FEATURES

Dual Circuit Configuration for 120/277V Loads

20 Amp Load Capacity

Pre-wired, Color Coded Leads

NEMA 1 Enclosure

Status Indicator Lights

Test Switch

ETL Listed to UL 924 Standards

HID, Fluorescent and Incandescent Lamp Capability

Universal Voltage Sensing Circuitry (Operated at 120V/277V, 60Hz)

CATALOG NUMBER: MTD220

MTD220 - mcPhilben Transfer Device 220 (For remote recessed mounting in ceiling or wall)

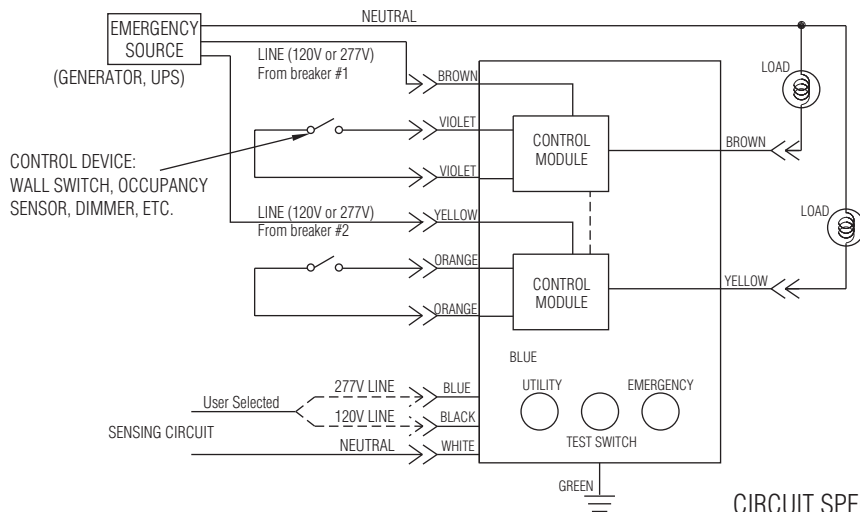
MTD220 Transfer Device 220

SPECIFICATIONS

Emergency egress lighting shall be provided by normal lighting loads equipped with the MTD220 and supplied by an uninterruptable power supply and interruptible power supply or generator. The MTD220 shall by-pass the connected switching means and energize the associate loads upon loss of utility power. The MTD220 shall be composed of a utility indicator light, and emergency indicator light,

a momentary test switch, a relay switching circuit and utility sensing circuit that operates at 120/277V, 60Hz. The MTD220 shall switch two separate single pole lighting loads up to 20 amps at 120/277V or one double pole lighting load up to 20 amps at 208V/204V. The MTD220 shall be ETL listed to the UL 924 standards for emergency lighting.

SYSTEM ONE-LINE DIAGRAM



CIRCUIT SPECIFICATIONS

VOLTAGE RATING:
Sensing Circuit: 120Vac or 277Vac
Load: Up to 277Vac; 20A Per Pole

DIMENSIONS

