



codes and standards

- ETL Listed
- ETL (US/Canada) wet location listing for die-cast back box only
- ADA compliant
- LM-79 compliant photometry

electrical

- Universal 120/277VAC input
- 61.6mA Line Amps
- 7.15W Input Wattage

finish

- The faceplate is a baked powder coated paint finish.
- Available in white, black, dark bronze, and special color finishes (Specify RAL#).

construction

- Steplight back boxes shall be constructed of die-cast aluminum alloy or 18-gauge cold rolled steel in baked white powder coat finish. The housing body shall have two cable entries to facilitate wiring. Concrete tight 1/2" conduit fitting provided with diecast back box: 7/8" knockout for steel back box. Diecast back box is suitable for wet locations.
- Lens is .125" clear tempered glass, clear polycarbonate lens (high density, U.V. stabilized and impact resistant) or white opal polycarbonate.
- A closed cell, weather proof gasket is secured to the back box with two screws.
- Faceplate is constructed of die cast aluminum alloy.

lamps

- Available in White, Amber, and Blue LEDs. Lamp Life: Rated for 10 years of continuous operation.

installation

- Indoor model backboxes mount in wood stair cavities and standard stud construction walls by means of mounting brackets (supplied).
- Outdoor model backboxes are suitable for poured concrete stair and wall installations.

- Knockouts are provided on both sides of the unit backbox for conduit attachment.

warranty

- Unit has 5-years full coverage against defects in materials and workmanship from date of shipment. Lamps excluded.

tamperproof hardware

- Stainless steel Allen Head Tamperproof screws are standard. Optional stainless steel Allen head center pin reject tamperproof fasteners are available.

antimicrobial

- Optional Agion™ Antimicrobial protection using silver technology inhibits bacterial colonization on metal interior and exterior surfaces. Agion™ antimicrobial FDA recognized and EPA registered, meeting all applicable EPA standards.

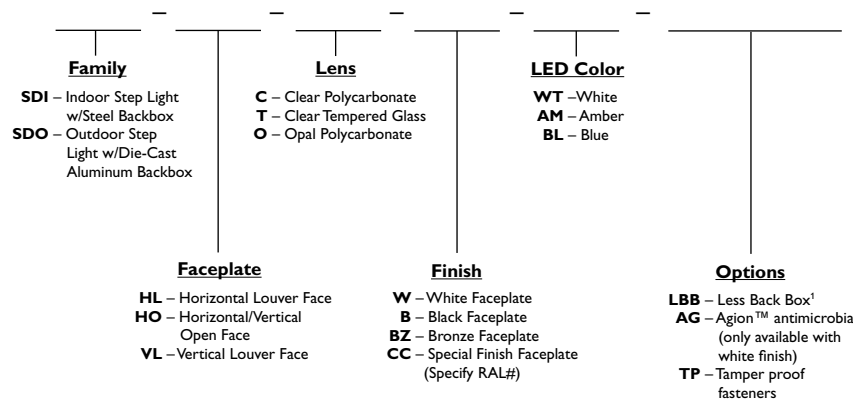
back box

- Back Box may be ordered separately for installing during rough-in-stage of project. Specify the LBB option in catalog number for the louver faceplate/ lens and electronics and order either the SDIBB or SDOBB for the back box depending on application required.

Specifier's Reference

Project
Type
Model No.
Comments

Green Product Choice: SDI-HL-C-W-WT



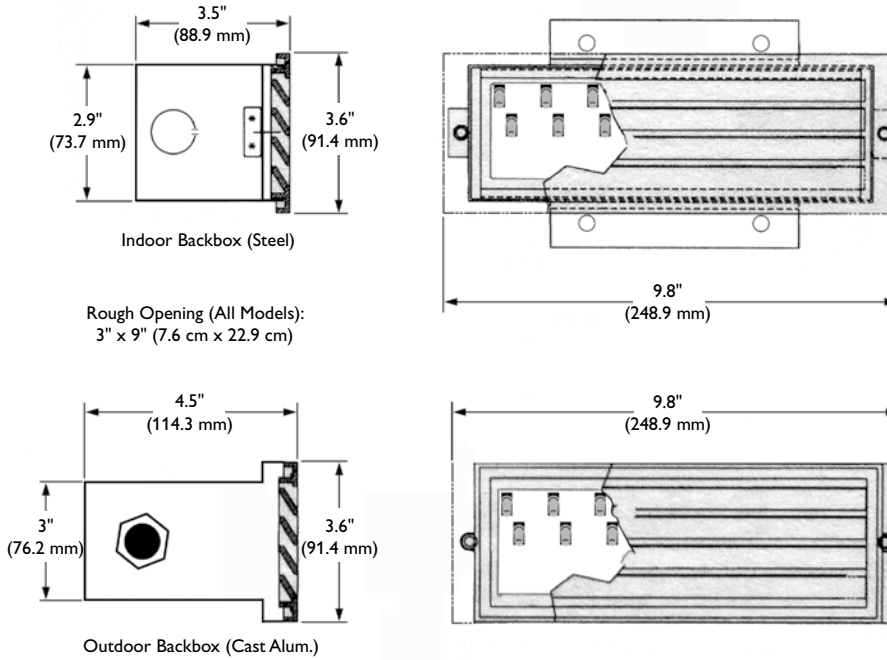
Accessories (order separately)

- Back Boxes** to be ordered separately if "LBB" option is specified
- SDIBB** Indoor Back Box
- SDOBB** Outdoor Back Box

Footnotes

¹ Step Lights specified with the LBB option will contain the louver/faceplate, lens and electronics only. The back box to be ordered separately (see accessories).

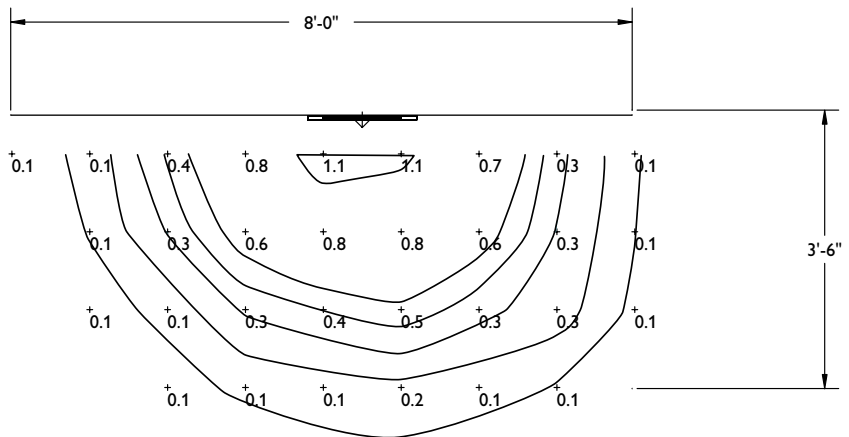
dimensions



photometrics

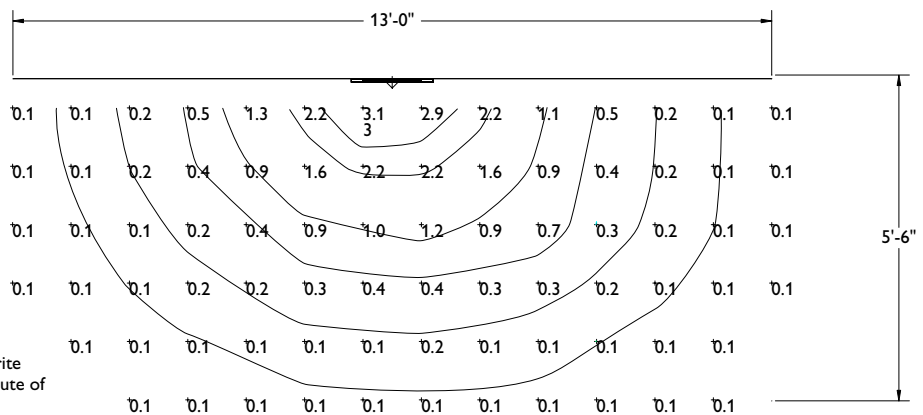
White LED Horizontal Louver with Clear Glass Lens

(Mounted 18" A.F.F.)
 Test No. 30076
 Catalog No. SDI-HL-C-UNV-WT
 LM-79 Absolute Photometry
 Lumen Output: 17 Lumens
 Lamp: 6W LED



White LED Open Face with Clear Glass Lens

(Mounted 18" A.F.F.)
 Test No. 30075
 Catalog No. SDI-HO-C-UNV-WT
 LM-79 Absolute Photometry
 Lumen Output: 70 Lumens
 Lamp: 6W LED



The photometric results were obtained in the Philips Day-Brite laboratory which is NVLAP accredited by the National Institute of Standards and Technology.

Photometric data based on tests performed in compliance with LM-79.



©2012 Philips Day-Brite
 All rights reserved. Revised June 2011.
 776 South Green Street • Tupelo, MS 38804
 p. 800.234.1890 • f. 662.841.5501
 Canadian Division
 189 Bullock Drive • Markham, Ontario L3P 1W4
 p. 905.294.9570 • f. 905.294.9811

Contact Factory for Additional Configurations.
 Specifications are subject to change without notice.