

**mcPhilben Emergency Unit**

**Faze 180 Series**  
Concealed AC Unit



**Specifier's Reference**

Project
Type
Model No.
Comments

**codes and standards**

- ETL Listed to 1598 Standard
- NFPA 70 (NEC)
- NFPA 101 (Life Safety Code)

**voltage input**

- Dual Voltage 120/277 VAC
- Selectable Input

**construction and finish**

- The unit back box and trim/lamp unit are constructed of code gauge cold-rolled galvanized steel.
- The back box requires an 8-1/4" long x 7-7/8" wide cutout.
- Back box is universal to accommodate ceiling or wall mount applications.
- The trim plate and door assembly are constructed of die-cast aluminum.

**motor**

- The door of the FAZE180 series is actuated by a direct drive bi-directional heavy-duty motor.
- This motor has a lifetime guarantee.

**lamps**

- Fully adjustable MR16 halogen lamps with GU-10 bi-pin twist-lock base and are available in choice of 12W, 20W, 35W, 50W and 75W.
- Lamps have expected life of 2000-plus hours.

**electronics**

- All units utilize a normal AC 120V or 277V circuit, and may be controlled by standard wall switch or used for emergency lighting when unswitched circuit is fed to FA Series unit and connected to a generator or inverter system when utility power is switched off.

- A 12 Volt direct drive, bi-directional heavy-duty motor allows for automatic operation of door and lamps deployment.
- The innovative design guarantees that the door will rotate 180° when energized, exposing two MR16 lamps which are immediately illuminated when normal utility power is switched on.
- The unit door automatically rotates back to the closed position with lamps off.
- The Faze180 motor has a lifetime guarantee.

**installation**

- Ceiling or wall mounting in new construction.
- Easy installation via the single enclosure back box.
- Units in smaller backbox have built-in grid clips for use in T-grid ceilings.

**operation**

- The FAZE180 AC unit is mounted in a wall or ceiling and can be used in conjunction with a generator or inverter system.
- The FAC Series can also be used as a switching luminaire.
- Upon loss of utility power, the door on the unit rotates 180° exposing two MR16 lamps which are immediately illuminated if connected to generator or inverter system.
- When switch is turned off, the lamps are turned off and the door rotates back to the closed position.

**warranty**

- Five full year warranty on units. (Lamps not included.)
- Lifetime warranty on direct drive motor.

**Green Product Choice: FACW12**

Catalog Number	Voltage	Capacity	Housing Color <sup>1</sup>	Lamp Wattage(per lamp)
<b>AC Only:</b>				
FACW12	120/277	24W	white	MR16 12W
FACW20	120/277	40W	white	MR16 20W
FACW35	120/277	70W	white	MR16 35W
FACW50 <sup>2</sup>	120/277	100W	white	MR16 50W
FACW75 <sup>2</sup>	120/277	150W	white	MR16 75W

Complete Unit	Breakdown
FACW12	Backbox: FBBAC Trim/Lamp Unit <sup>1</sup> : FACTL12W
FACW20	Backbox: FBBAC Trim/Lamp Unit <sup>1</sup> : FACTL20W
FACW35	Backbox: FBBAC Trim/Lamp Unit <sup>1</sup> : FACTL35W
FACW50 <sup>2</sup>	Backbox: FBBAC <sup>2</sup> Trim/Lamp Unit <sup>1</sup> : FACTL50W
FACW75 <sup>2</sup>	Backbox: FBBAC <sup>2</sup> Trim/Lamp Unit <sup>1</sup> : FACTL75W

**Xtest**

Xtest self-diagnostic/self-testing management system is standard.

- Multiple LED indicators flash warnings when attention is needed
- Micro-controller verifies all systems operation
- Exceeds all UL and NFPA requirements for self-testing.
- Xtest circuitry monitors all key components every hour.

**Footnotes**

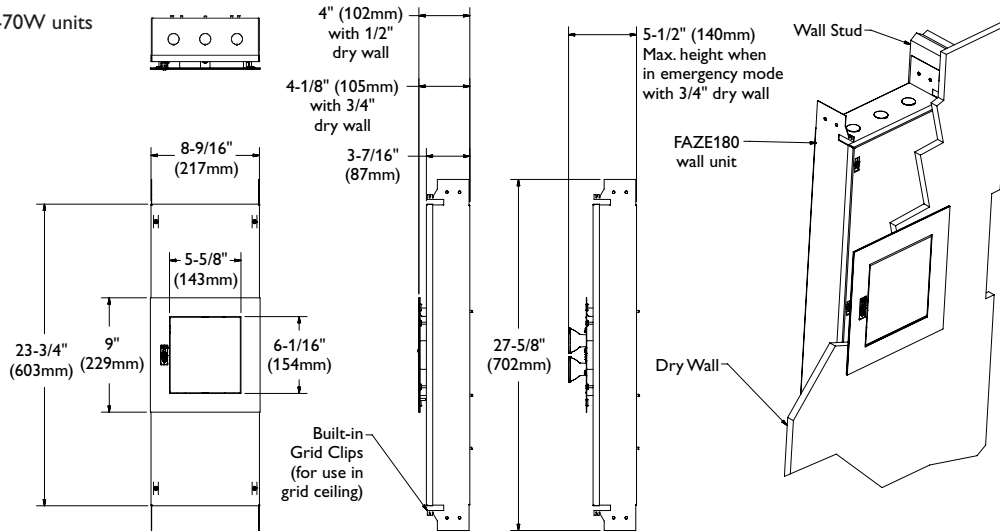
<sup>1</sup>For black finish substitute "W" in catalog number with "B". Example: FX12L24B12.

For Primer coat substitute with "P" or for custom color, "CC", consult factory.

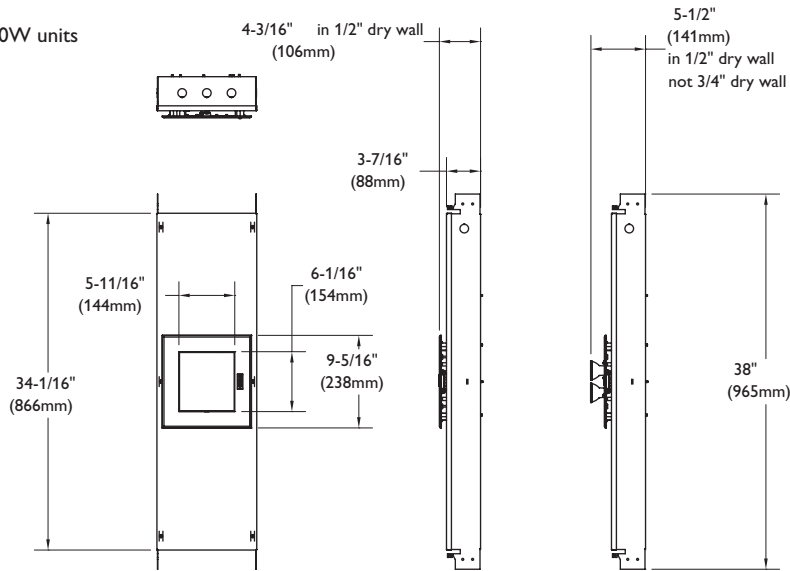
<sup>2</sup>Higher Wattage units utilize larger backbox.

## dimensions

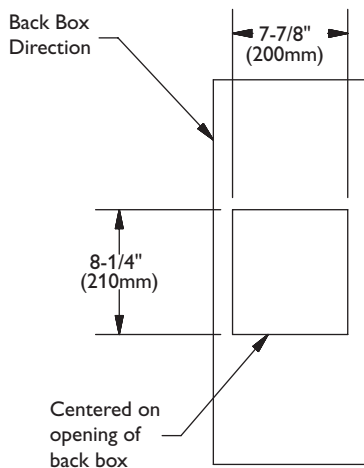
20W-70W units



100W-150W units



## cutout dimensions



## photometry



### 10' Wall Mount

12W MR16 lamp	35ft. spacing	avg. fc. = 1.13	max. fc. = 3.0	min. fc. = 0.2
20W MR16 lamp	40ft. spacing	avg. fc. = 1.13	max. fc. = 2.5	min. fc. = 0.3
35W MR16 lamp	65ft. spacing	avg. fc. = 1.40	max. fc. = 4.7	min. fc. = 0.1

### 12' Wall Mount

12W MR16 lamp	30ft. spacing	avg. fc. = 1.02	max. fc. = 2.0	min. fc. = 0.4
20W MR16 lamp	35ft. spacing	avg. fc. = 1.01	max. fc. = 1.7	min. fc. = 0.4
35W MR16 lamp	65ft. spacing	avg. fc. = 1.16	max. fc. = 3.1	min. fc. = 0.1

### 14' Wall Mount

50W MR16 lamp	72ft. spacing	avg. fc. = 2.11	max. fc. = 5.5	min. fc. = 0.2
75W MR16 lamp	75ft. spacing	avg. fc. = 3.04	max. fc. = 8.0	min. fc. = 0.2

### 16' Wall Mount

12W MR16 lamp	22ft. spacing	avg. fc. = 1.01	max. fc. = 1.7	min. fc. = 0.4
---------------	---------------	-----------------	----------------	----------------

### 15' Ceiling Mount

50W MR16 lamp	72ft. spacing	avg. fc. = 2.11	max. fc. = 5.3	min. fc. = 0.2
75W MR16 lamp	75ft. spacing	avg. fc. = 2.96	max. fc. = 7.4	min. fc. = 0.2


**Note:** Meets Life Safety Code standard minimum illuminance of 0.1 fc and average illuminance of 1.0 fc. Illustration shown is a guideline for corridor center-to-center spacing with 10, 12, or 16 foot mounting heights and minimum 80-50-20 reflectance values. This is a guideline to be used as a design aid, not as guarantee.



©2011 Philips Day-Brite  
All rights reserved.

776 South Green Street • Tupelo, MS 38804  
p. 800.234.1890 • f. 662.841.5501 • [www.daybrite.com](http://www.daybrite.com)  
Canadian Division  
189 Bullock Drive • Markham, Ontario L3P 1W4  
p. 905.294.9570 • f. 905.294.9811

Contact Factory for Additional Configurations.  
Specifications are subject to change without notice.  
Consult website for latest version of this spec sheet.

 Some luminaires use fluorescent or high intensity discharge (HID) lamps that contain small amounts of mercury. Such lamps are labeled, "Contain Mercury" and/or the symbol "HG". Lamps that contain mercury must be disposed of in accordance with local requirements. Information regarding lamp recycling and disposal can be found at [www.lamprecycle.org](http://www.lamprecycle.org)