

mcPhilben Emergency Unit

HX Series

Class I & II, Div. 2 LED Exits
(AC Only & Emergency Operation)



Specifier's Reference

Project
Type
Model No.
Comments

application

- The mcPhilben HX series is an AC only and emergency exit suitable for hazardous locations.

codes and standards

- UL 924 listed
- UL 844 listed
- NFPA 101, NEC, BOCA, OSHA and IBC illumination standards
- Temperature Rating (T-Rating) 160° (T3C)
- Class I, Division 2, Groups A, B, C & D
- Class I, Zone 2 T-Rating 200° (T3), Groups IIA, IIB (+H₂) & IIC
- Class II, Division 2 Areas, Groups F & G

voltage input

- 120/277 VAC selectable input.

battery

- Maintenance free, sealed nickel cadmium battery has an estimated service life of 10 years, and an operating temperature range of 65° F(19° C) to 85° F(30° C). Batteries supply 90 minutes of emergency power.

housing

- Constructed of corrosion-resistant materials featuring fiberglass-reinforced industrial gray housing with stainless steel hardware and a clear polycarbonate cover. A one-piece formed gasket prevents the potential for seal failure. Standard internal mounting or external mounting feet for installation flexibility.

advanced self-diagnostics (standard)

- The Advanced Self-Diagnostics charging system is microprocessor controlled with surge protection, brownout, AC lockout and low voltage disconnect features are standard on all models.

self-testing diagnostics (optional)

- Optional diagnostics/charging circuitry perform a self-test monthly, and during the sixth and twelfth months. A one-minute or 90 minute test may be initiated via pushing the test button or using the handheld test device, SRT.

lamp data

- Illumination of the stenciled exit face is accomplished with long lasting, high output LEDs, producing an average illumination level in excess of 25f(85.7 cd/m) at the end of the 90 minute emergency run time. The LEDs shall be designed so that the unlikely failure of one LED will not affect the integrity of the total sign in the emergency mode.

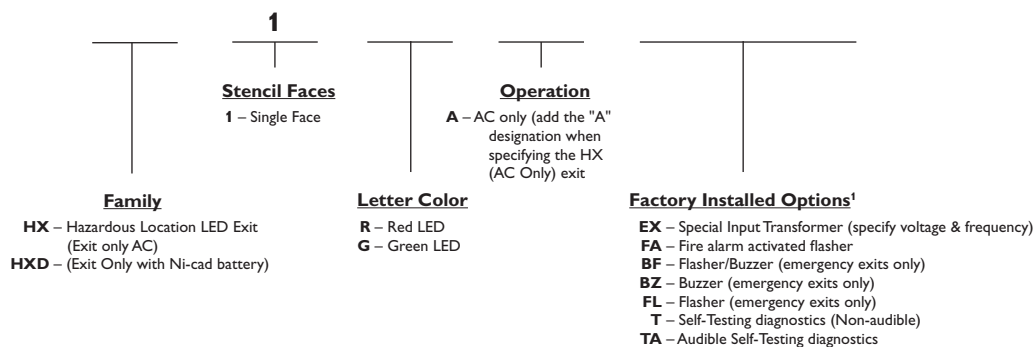
mounting

- Standard internal mounting or external mounting feet for installation flexibility.

warranty

- Five year warranty on unit. (Lamps not included).

Green Product Choice: HX1RA



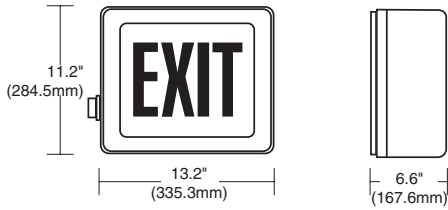
Accessories

- WG5** - Wire Guard
- SRT** - Infra Red Remote Tester

Footnotes

¹Some option configurations may impact UL listing. Consult factory for specifics.

dimensions



EXITS:AC only and Emergency with nicad battery

Additional Features

- Illumination** – Illumination of the exit stencil face is accomplished with long lasting, high output, direct view LED's. The combination emergency exit version has two lamp heads mounted on top of the unit.
- Battery** – Maintenance free, sealed nickel cadmium battery has an estimated service life of 12 years, and an operating temperature range of 20°F (-7°C) to 95°F (35°C). Exits and combos utilizing a lead calcium battery have a temperature range of 65°F (19°C) to 85°F (30°C).
- Electronics** – The Advanced Self-diagnostic charging system is microprocessor controlled with surge protection, brownout, AC lockout and low voltage disconnect features and is standard on all models. Refer to page 620 for details.
- Self Testing Diagnostics** – Optional diagnostic/charging circuitry performs a self-test monthly, and during the sixth and twelfth months. A one-minute or 90-minute test may be initiated via pushing the test button or using the handheld test device, SRT.

HX SERIES Class I & II, Division 2 LED Exits (AC Only & Emergency Operation)

Electrical Specifications

AC Only

Red or Green
 120 VAC, 60 Hz, 0.032 A, PF = 0.95
 277 VAC, 60 Hz, 0.014 A, PF = 0.88

Self-Powered

Red or Green
 120 VAC, 60 Hz, 0.048 A, PF = 0.90
 277 VAC, 60 Hz, 0.023 A, PF = 0.90

Audible/Non-Audible Diagnostics

Advanced Self-diagnostics is equipped with an audible user interface confirmation standard.

However, the audible diagnostics feature is a selectable option. Standard diagnostics equipment offers visual verification of the equipment readiness through the flashing sequence of the RED LED in the following manner:

Fault condition status, number of RED flashes:

- 1 X - Battery Fault
- 2 X - Lamp Failure
- 3 X - Charger Fault
- 4 X - Transfer Fault

Both RED and GREEN LED's fast toggle - AC line over-voltage

Both RED and GREEN LED's slow toggle - AC line under-voltage



©2011 Philips Day-Brite
 All rights reserved.
 776 South Green Street • Tupelo, MS 38804
 p. 800.234.1890 • f. 662.841.5501 • www.daybrite.com
 Canadian Division
 189 Bullock Drive • Markham, Ontario L3P 1W4
 p. 905.294.9570 • f. 905.294.9811

Contact Factory for Additional Configurations.
 Specifications are subject to change without notice.
 Consult website for latest version of this spec sheet.

Some luminaires use fluorescent or high intensity discharge (HID) lamps that contain small amounts of mercury. Such lamps are labeled, "Contain Mercury" and/or the symbol "HG". Lamps that contain mercury must be disposed of in accordance with local requirements. Information regarding lamp recycling and disposal can be found at www.lamprecycle.org

