

ERI4022

rev. 1, 01/10/1012

Emergency Unit

VU6W Series Value+ Thermoplastic Units



Specifier's Reference

Project

Type

Model No.

Comments

codes and standards

- UL 924 listed.
- NFPA-101. NEC, BOCA and OSHA illumination standard.
- UL listed for damp locations.

construction and finish

- Innovative design allows for fast and easy installation.
- Two fully adjustable glare-free round shaped lampheads for emergency lighting.
- VU6W Listed NEMA 4X, wet location listed high-impact plastic housing.

installation

- Units are wall mount only.

electronics

- 120/277VAC dual voltage input with surge protected, solid-state circuitry.
- Charging systems is complete with low voltage disconnect, AC lockout, brownout protection, AC indicator lamp and test switch.
- Input power requirements are 120 VAC - 0.044 amps 277 VAC - 0.02 amps

lamps

- Lamp heads include two 5.4W tungsten lamps.

battery

- Maintenance free sealed lead acid battery has an estimated service life of 5 years.
- Operating temperature range of 65°F (19°C) to 85°F (30°C).
- Provides 90 minutes of emergency illumination.

warranty

- 3 years warranty (Lamps not included).

Green Product Choice: VU6W

Catalog Number	Volts	Wattage	Housing Color	Lamp Type	Remote Capacity
VU6W	6V	12W	white	5.4W tungsten	none

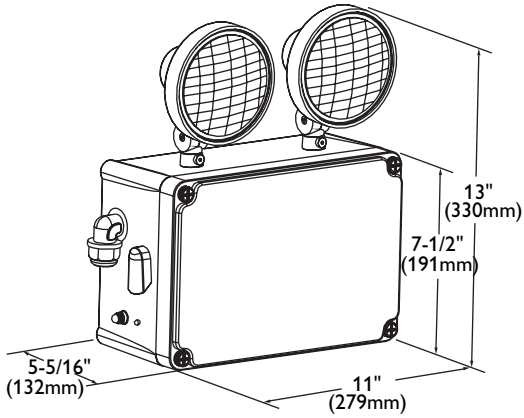
Accessories

PVS1 – Polycarbonate Vandal Shield

WG5 – Wire Guard for VU6W

PHILIPS
Day-Brite

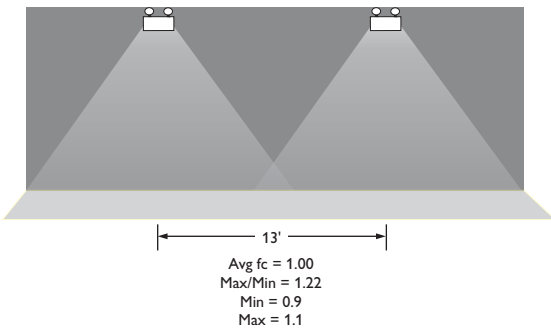
dimensions



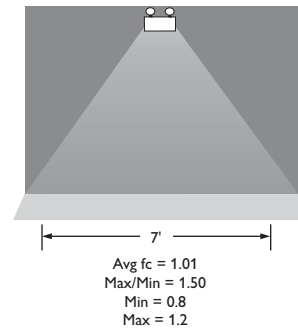
performance

Meets Life Safety Code standard minimum illuminance of 0.1 FC and average illuminance of 1.0 FC. Assumes open space with no obstructions, mounting height: 8', ceiling height: 9', and reflectances: 80/50/20. Analysis based on independently tested photometrics.

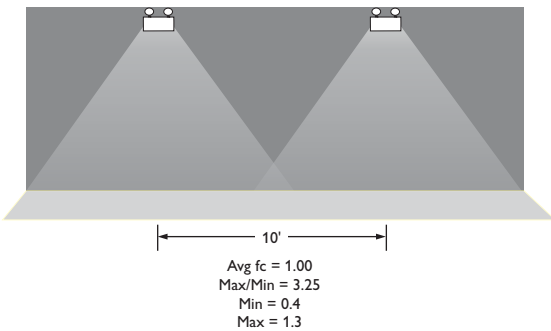
VU6W 3' foot path



VU6W Single Unit 3' foot path



VU6W 6' foot path



©2012 Philips Day-Brite
All rights reserved.
776 South Green Street • Tupelo, MS 38804
p. 800.234.1890 • f. 662.841.5501 • www.daybrite.com
Canadian Division
189 Bullock Drive • Markham, Ontario L3P 1W4
p. 905.294.9570 • f. 905.294.9811

Contact Factory for Additional Configurations.
Specifications are subject to change without notice.
Consult website for latest version of this spec sheet.



Some luminaires use fluorescent or high intensity discharge (HID) lamps that contain small amounts of mercury. Such lamps are labeled, "Contain Mercury" and/or the symbol "HG". Lamps that contain mercury must be disposed of in accordance with local requirements. Information regarding lamp recycling and disposal can be found at www.lamprecycle.org