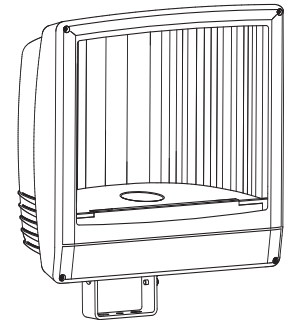


# NITEO BRITES

## FSL-LARGE FLOODLIGHT

400-1500 watt Metal Halide  
400-1000 watt High Pressure Sodium  
400-875 watt Pulse Start Metal Halide



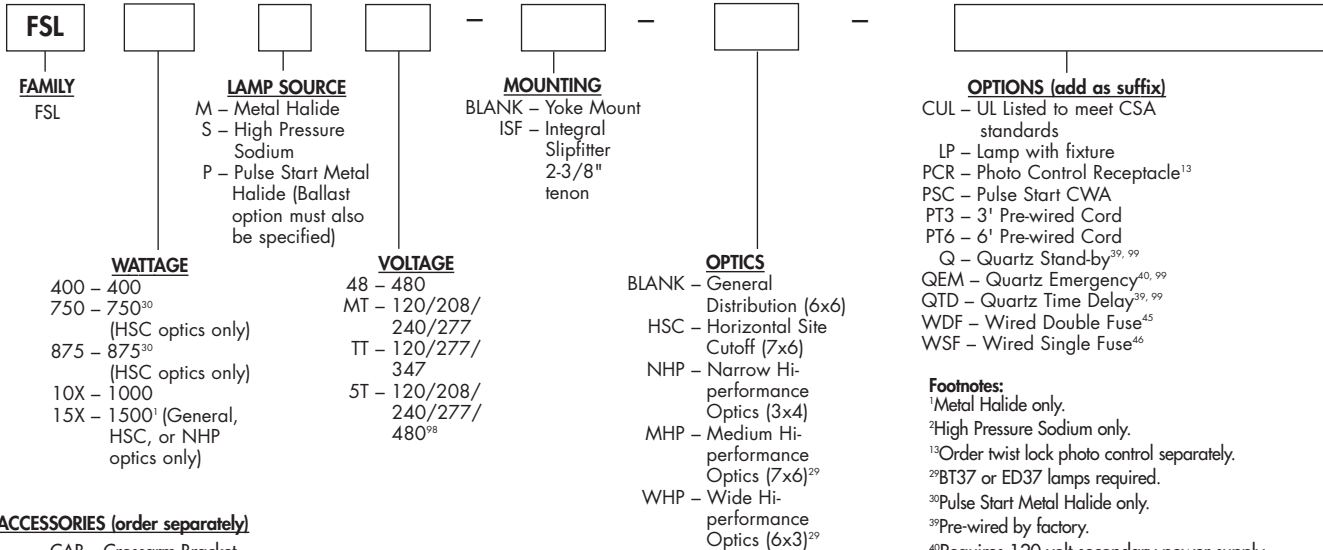
Day-Brite® Lighting

JOB NAME \_\_\_\_\_  
TYPE \_\_\_\_\_

The Large Floodlight is the right choice for applications requiring high light levels such as tennis courts, building perimeters and large parking lots.

### ORDERING MATRIX

SAMPLE CATALOG NUMBER: FSL10XMMT-ISF-HSC-LP



#### ACCESSORIES (order separately)

- CAB - Crossarm Bracket
- PSF - Post Top Slipfitter
- EPSF - Economy Post Top Slipfitter
- VSFSL - Vandal Shield
- PWB - Pipe/wall bracket
- PC-MT - Photo Control Twist lock, multi-volt (must have PCR option)
- PC-48 - Photo Control Twist lock 480 volt (must have PCR option)
- PCR-SC - PCR Shorting Cap
- VFSL - Top Visor
- GGFSL - Glare Guard
- FSF - Single Fuse Holder only
- FDL - Double Fuse Holder only
- WGFSL - Wire Guard

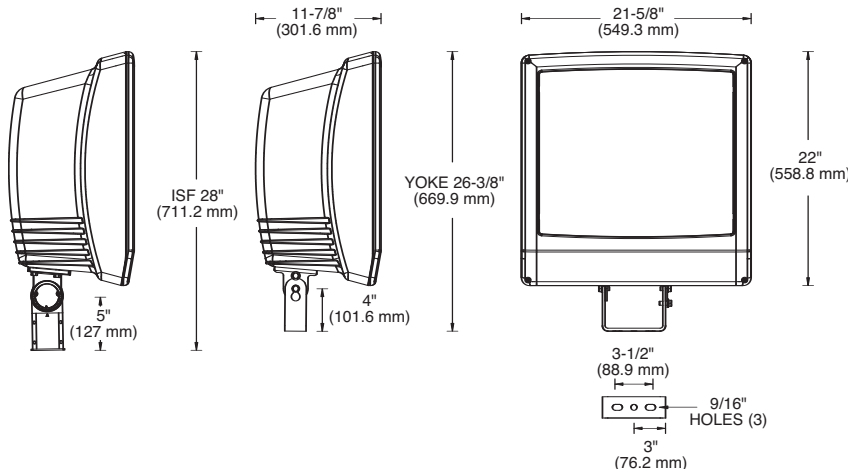
(For additional descriptions of Floodlight accessories refer to sheet number OA-50010.)

- Footnotes:**
- <sup>1</sup>Metal Halide only.
  - <sup>2</sup>High Pressure Sodium only.
  - <sup>13</sup>Order twist lock photo control separately.
  - <sup>29</sup>BT37 or ED37 lamps required.
  - <sup>30</sup>Pulse Start Metal Halide only.
  - <sup>39</sup>Pre-wired by factory.
  - <sup>40</sup>Requires 120 volt secondary power supply.
  - <sup>45</sup>Use with 208, 240 and 480 volt.
  - <sup>46</sup>Use with 120, 277 and 347 volt.
  - <sup>98</sup>Available in 250, 400, or 1000 watt.
  - <sup>99</sup>Not available with HSC or MHP optics.

**General Notes:**  
All options factory installed.  
Mogul base lamp only.  
All accessories are field installed.

**Warning:** Refer to and follow the lamp manufacturer's warnings and instructions.

### DIMENSIONS



### ENERGY DATA

#### HIGH PRESSURE SODIUM

CWA BALLAST INPUT WATTS

400 watt-464 watts

1000 watt-1100 watts

#### METAL HALIDE

CWA BALLAST INPUT WATTS

400 watt-458 watts

1000 watt-1080 watts

1500 watt-1605 watts

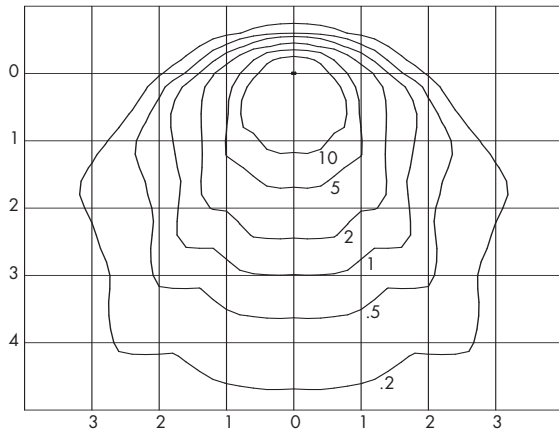
EPA = 2.6 sq. ft.

WEIGHT = 70 lbs. (max.)

**FL-41010.1**

FSL-LARGE FLOODLIGHT

## PHOTOMETRICS



UNITS SHOWN IN TERMS OF MOUNTING HEIGHT  
INITIAL FOOTCANDLES SHOWN

CATALOG NUMBER: FSL10XM  
 TEST NUMBER: 26086  
 LAMP: METAL HALIDE  
 WATTAGE: 1000  
 LUMENS: 110,000  
 TILT ANGLE: 45°  
 MOUNTING HEIGHT: 30 FEET

LIGHT LEVEL MULTIPLYING FACTORS	
MOUNTING HEIGHT	MULTIPLIER
40'	0.56
35'	0.74
30'	1.00
25'	1.44
20'	2.25
15'	4.00

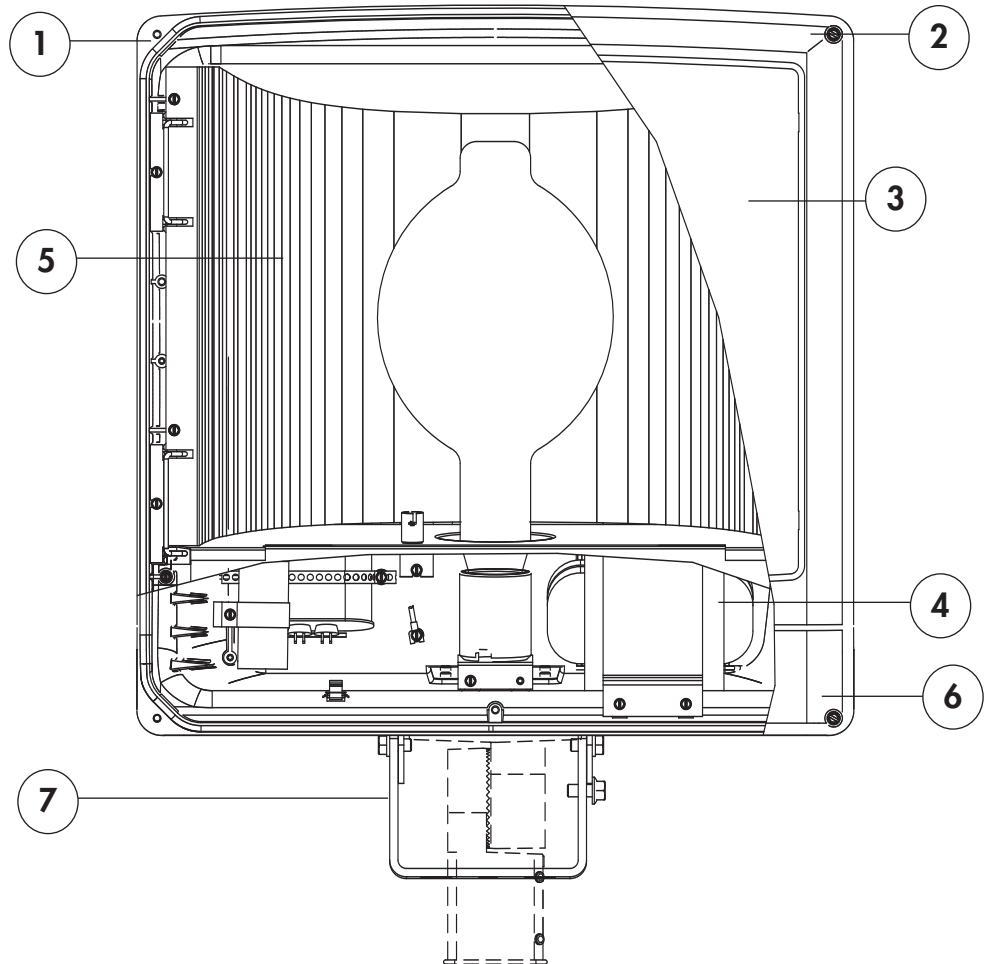
### ADDITIONAL TEST NUMBERS

DESCRIPTION/CATALOG NUMBER	TEST NUMBER
FSL10XS	26884
FSL10XM-HSC	26719
FSL10XS-HSC	26715
FSL10XM-NHP	26778
FSL10XS-NHP	26780

## PRODUCT FEATURES

UL 1598 Listed suitable for wet location and 25°C ambient for all lamp wattages listed. IP65 rated (yoke mount only).

1. Sturdy one piece die cast aluminum housing with internal hinge.
2. One piece die cast aluminum door has stainless steel, captive door fasteners for easy maintenance.
3. Door has tempered glass lens which is thermal shock and impact resistance.
4. "Slant 2" heat-sinked ballast mounting geometry for cooler operation.
5. Reflector is one piece diffused anodized aluminum.
6. Dark bronze polyester powder finish for excellent impact, corrosion and UV resistance.
7. Choice of mountings: adjustable yoke mount (standard) or integral slipfitter mount (optional).



Visit our web site at [www.daybritelighting.com](http://www.daybritelighting.com)

776 South Green Street Tupelo, MS 38804 Phone: 662-842-7212 Fax: 662-841-5501

**FL-41010.1**

189 Bullock Drive Markham, Ontario Canada L3P 1W4 Phone: 905-294-9570 Fax: 905-294-8911  
 Day-Brite Lighting reserves the right to make changes without notice. ©August 2007. DL2.5M0807

**Day-Brite® Lighting**  
 a Genlyte company