

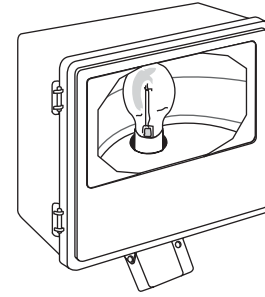
NITE BRITES

JOB NAME _____

TYPE _____

FLL-HP HIGH PERFORMANCE LARGE FLOODLIGHT 400-1500 watt Metal Halide 400-1000 watt High Pressure Sodium

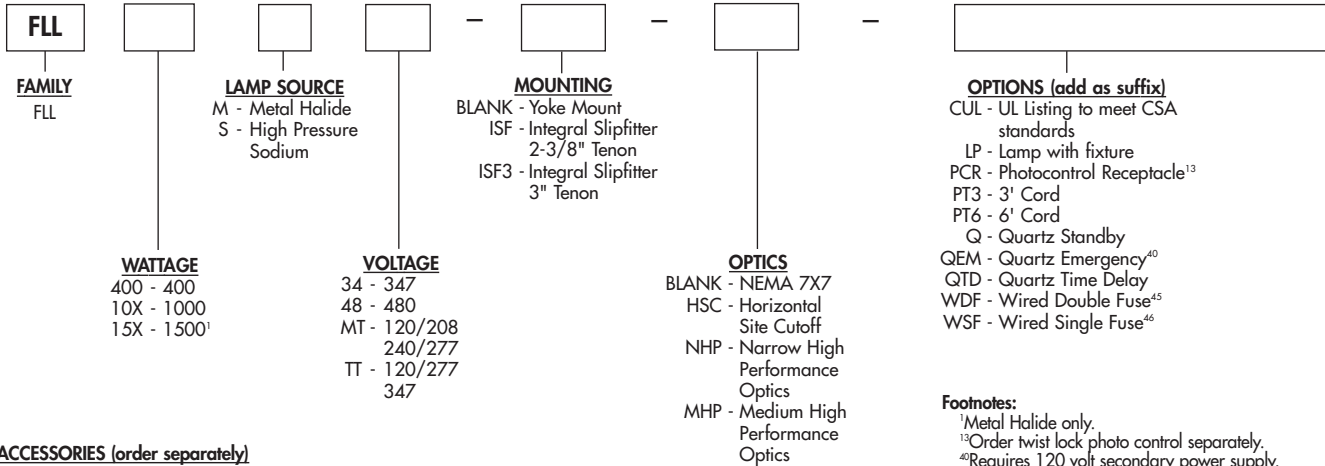
The FLL-HP High Performance floodlight family features two new hydroformed reflectors. The NHP provides a narrow distribution, while the MHP offers a medium distribution. Both reflector systems provide superior lighting for large flagpoles, signage, building accents, and large landscape foliage.



Day-Brite® Lighting

ORDERING MATRIX

SAMPLE CATALOG NUMBER: FLL10XMMT-ISF-MHP-LP



ACCESSORIES (order separately)

- CAB - Crossarm Bracket
- PSF - Post Top Slipfitter
- EPSF - Economy Post Top Slipfitter
- VSL - Vandal Shield
- PWB - Pipe/wall bracket
- PC-MT - Photo Control Twist lock, multi-volt
- PC-48 - Photo Control Twist lock 480 volt
- PCR-SC - PCR Shorting Cap
- VL - Top Visor
- GGL - Glare Guard
- FSF - Single Fuse Holder only
- FDF - Double Fuse Holder only
- WGL - Wire Guard
- FLL-NHP - Retrofit Kit-Narrow High Performance Reflector
- FLL-MHP - Retrofit Kit-Medium High Performance Reflector

Footnotes:

- ¹Metal Halide only.
- ¹³Order twist lock photo control separately.
- ⁴⁰Requires 120 volt secondary power supply.
- ⁴⁵Use with 208, 240 and 480 volt.
- ⁴⁶Use with 120, 277 and 347 volt.

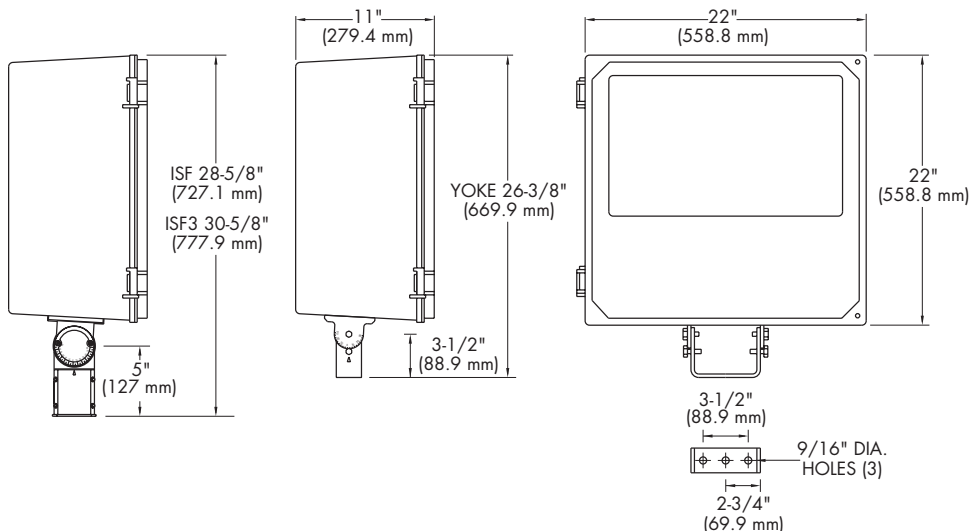
General Notes:

- All options factory installed.
- Mogul base lamp only.
- All accessories are field installed.

Warning: Refer to and follow the lamp manufacturer's warnings and instructions.

(For additional descriptions of Floodlight accessories refer to sheet number OA-50010.)

DIMENSIONS



ENERGY DATA

HIGH PRESSURE SODIUM

CWA BALLAST INPUT WATTS
400 watt-464 watts
1000 watt-1100 watts

METAL HALIDE

CWA BALLAST INPUT WATTS
400 watt-458 watts
1000 watt-1080 watts
1500 watt-1605 watts

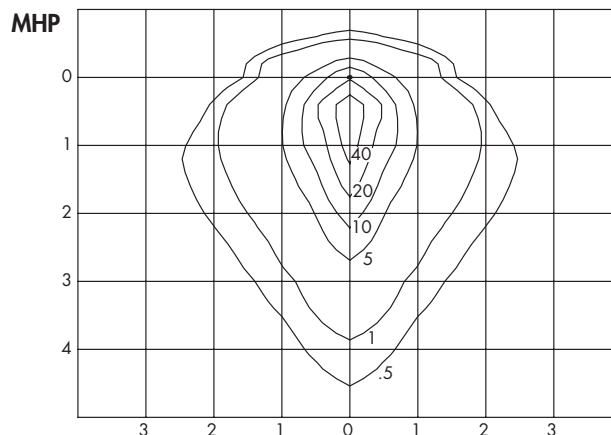
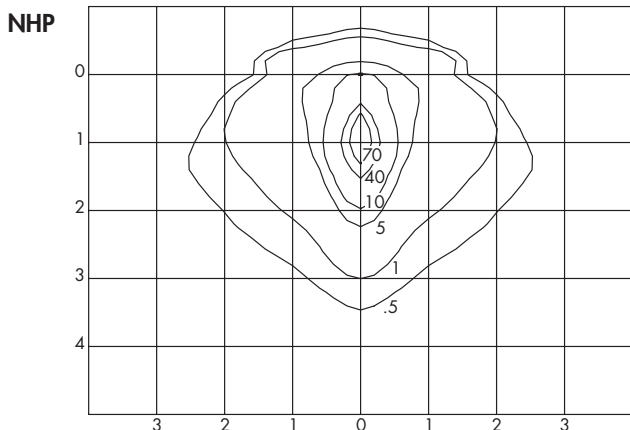
EPA = 3.4 sq. ft.

WEIGHT = 70 lbs. (max.)

FLL-HP HIGH PERFORMANCE LARGE FLOODLIGHT

FL-41011

PHOTOMETRICS



UNITS SHOWN IN TERMS OF MOUNTING HEIGHT
INITIAL FOOTCANDLES SHOWN

CATALOG NUMBER: FLL10XM
LAMP: METAL HALIDE
WATTAGE: 1000
LUMENS: 110,000
TILT ANGLE: 45°
MOUNTING HEIGHT: 30 FEET

LIGHT LEVEL MULTIPLYING FACTORS	
MOUNTING HEIGHT	MULTIPLIER
40'	0.56
35'	0.74
30'	1.00
25'	1.44
20'	2.25
15'	4.00

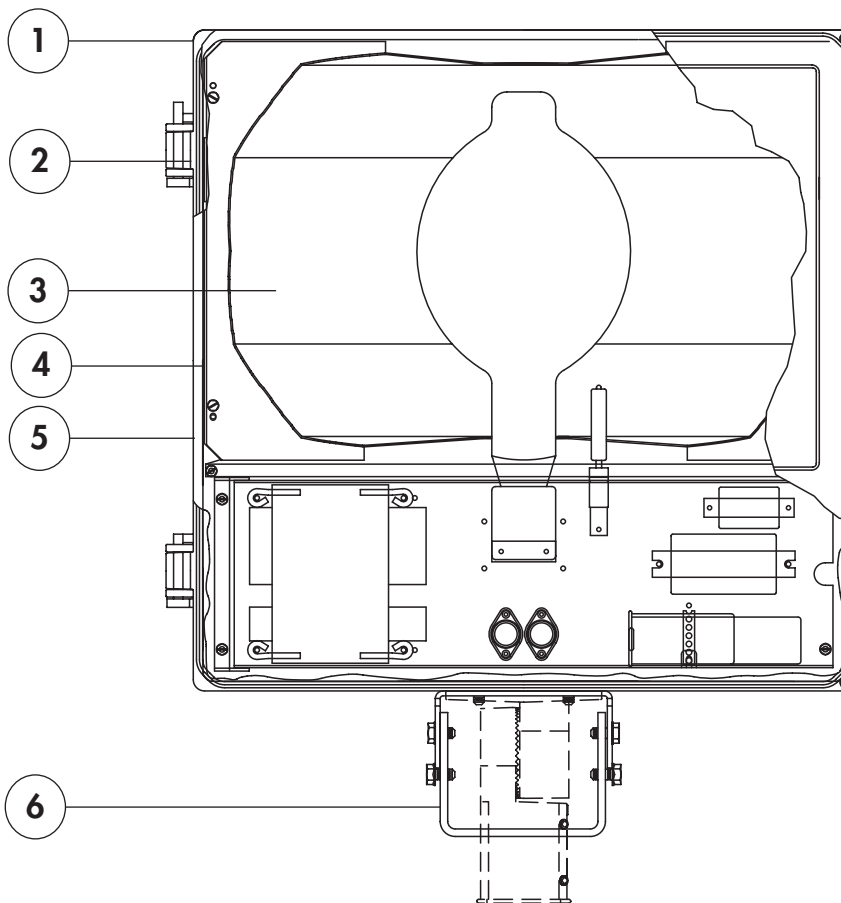
NEMA DISTRIBUTION TABLE

LAMP	REFLECTOR	NEMA CLASSIFICATION		TEST NUMBER
		(H x V)		
1000W MH	NHP	3 x 4		23662
1000W HPS	NHP	4 x 5		23661
1000W MH	MHP	5 x 5		23658
1000W HPS	MHP	6 x 6		23659

PRODUCT FEATURES

UL 1598 Listed suitable for wet location and 25°C ambient for all lamp wattages listed.

1. Heavy duty die cast aluminum housing.
2. Die cast aluminum door frame has two captive stainless steel fasteners along with a shock and impact resistant tempered glass lens. The door can be removed from the die cast housing for easy maintenance.
3. New High Performance reflectors are hydroformed and available in a narrow and medium distribution (NEMA classification varies depending on lamp and wattage, refer to photometric chart for specific distributions).
4. Extruded silicone rubber gasket around door frame seals the optical and electrical compartments from contaminants.
5. Standard dark bronze polyester powder coat finish provides excellent resistance to corrosion.
6. Choice of mountings: Adjustable yoke mount (standard) or integral slipfitter mount (optional).



Visit our web site at www.daybritelighting.com

776 South Green Street Tupelo, MS 38804 Phone: 662-842-7212 Fax: 662-841-5501

FL-41011

189 Bullock Drive Markham, Ontario Canada L3P 1W4 Phone: 905-294-9570 Fax: 905-294-8911
Day-Brite Lighting reserves the right to make changes without notice. ©July 2003. DL2.5M0703
Day-Brite Lighting is a Genlyte Thomas Group.

 **Day-Brite® Lighting**