

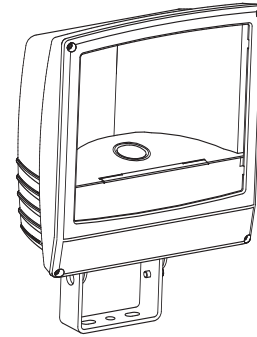
NITEO BRITES

JOB NAME _____

TYPE _____

FSM-MEDIUM FLOODLIGHT

150-400 watt Metal Halide
150-400 watt High Pressure Sodium
150-400 watt Pulse Start Metal Halide



The Medium Floodlight is perfect for lighting medium size areas such as loading docks, service drives, building facades and parking lots.

Day-Brite® Lighting

ORDERING MATRIX

SAMPLE CATALOG NUMBER: FSM400MMT-ISF-PCR

FSM	[]	[]	[]	-	[]	-	[]	-	[]
FAMILY FSM		LAMP SOURCE M - Metal Halide S - High Pressure Sodium P - Pulse Start Metal Halide (Ballast option must also be specified)		MOUNTING BLANK - Yoke Mount ISF - Integral Slipfitter 2-3/8" Tenon					OPTIONS (add as suffix) CUL - UL Listing to meet CSA standards HR - Hot Restrike ³⁴ LP - Lamp with fixture PCR - Photo Control Receptacle ¹³ PSC - Pulse Start CWA PT3 - 3' Cord PT6 - 6' Cord Q - Quartz Standby ^{39, 99} QEM - Quartz Emergency ^{40, 99} QTD - Quartz Time Delay ^{29, 99} WDF - Wired Double Fuse ⁴⁵ WSF - Wired Single Fuse ⁴⁶
	WATTAGE 150 - 150 175 - 175 ^{1, 33} 200 - 200 ³¹ 250 - 250 320 - 320 ³⁰ 350 - 350 ³⁰ 400 - 400 ¹⁵		VOLTAGE 48 - 480 MT - 120/208/ 240/277 TT - 120/277/ 347 5T - 120/208/ 240/277/ 480 ⁹⁸		OPTICS BLANK - General Distribution (6x6) HSC - Horizontal Site Cutoff (7x6) NHP - Narrow Hi-performance Optics (2x3) MHP - Medium Hi-performance Optics (7x6) WHP - Wide Hi-performance Optics (6x4)				

ACCESSORIES (order separately)

- CAB - Crossarm Bracket
 - PSF - Post Top Slipfitter
 - EPSF - Economy Post Top Slipfitter
 - VSFSM - Vandal Shield
 - PWB - Pipe/wall bracket
 - PC-MT - Photo Control Twist lock, multi-volt (must have PCR option)
 - PC-48 - Photo Control Twist lock 480 volt (must have PCR option)
 - PCR-SC - PCR Shorting Cap
 - VFSM - Top Visor
 - GGFSM - Glare Guard
 - FSF - Single Fuse Holder only
 - DFD - Double Fuse Holder only
 - WGFSM - Wire Guard
- (For additional descriptions of Floodlight accessories refer to sheet number OA-50010.)

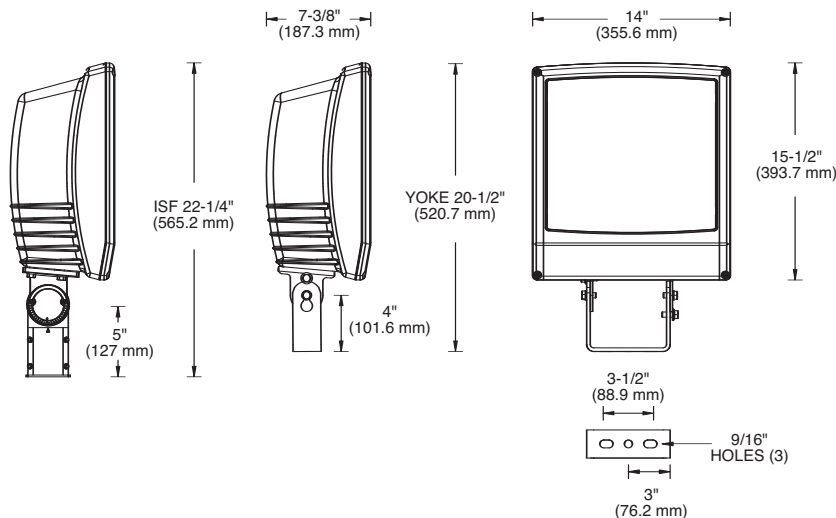
General Notes:
Mogul base lamp only.
All options are factory installed.
All accessories are field installed.

Warning: Refer to and follow the lamp manufacturer's warnings and instructions.

Footnotes:

- ¹Metal Halide only.
- ²High Pressure Sodium only.
- ¹³Order twist lock photo control separately.
- ¹⁵Requires ED-28 size lamp.
- ³⁰Pulse Start Metal Halide only.
- ³¹Not available in standard Metal Halide.
- ³³Not available in Pulse Start Metal Halide.
- ³⁴Available in 150 High Pressure Sodium and below.
- ³⁹Pre-wired by factory.
- ⁴⁰Requires 120 volt secondary power supply.
- ⁴⁵Use with 208, 240 and 480 volt.
- ⁴⁶Use with 120, 277 and 347 volt.
- ⁹⁸Available in 250, 400, or 1000 watt.
- ⁹⁹Not available with HSC or MHP optics.

DIMENSIONS



ENERGY DATA

HIGH PRESSURE SODIUM

CWA BALLAST INPUT WATTS
150 watt-190 watts
200 watt-240 watts
250 watt-295 watts
400 watt-464 watts

METAL HALIDE

CWA BALLAST INPUT WATTS
150 watt-189 watts
175 watt-210 watts
250 watt-285 watts
400 watt-485 watts

PULSE START METAL HALIDE

CWA BALLAST INPUT WATTS
150 watt-189 watts
200 watt-232 watts
250 watt-288 watts
320 watt-368 watts
350 watt-400 watts
400 watt-452 watts

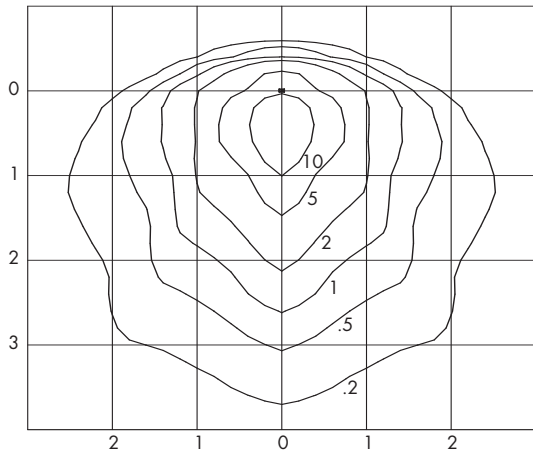
EPA = 1.20 sq. ft.

WEIGHT = 40 lbs. (max.)

FL-41020.1

FSM-MEDIUM FLOODLIGHT

PHOTOMETRICS



UNITS SHOWN IN TERMS OF MOUNTING HEIGHT
INITIAL FOOTCANDLES SHOWN

CATALOG NUMBER: FSM400M
 TEST NUMBER: 26040
 LAMP: METAL HALIDE
 WATTAGE: 400
 LUMENS: 36,000
 TILT ANGLE: 45°
 MOUNTING HEIGHT: 25 FEET

LIGHT LEVEL MULTIPLYING FACTORS	
MOUNTING HEIGHT	MULTIPLIER
40'	0.39
35'	0.51
30'	0.69
25'	1.00
20'	1.56
15'	2.77

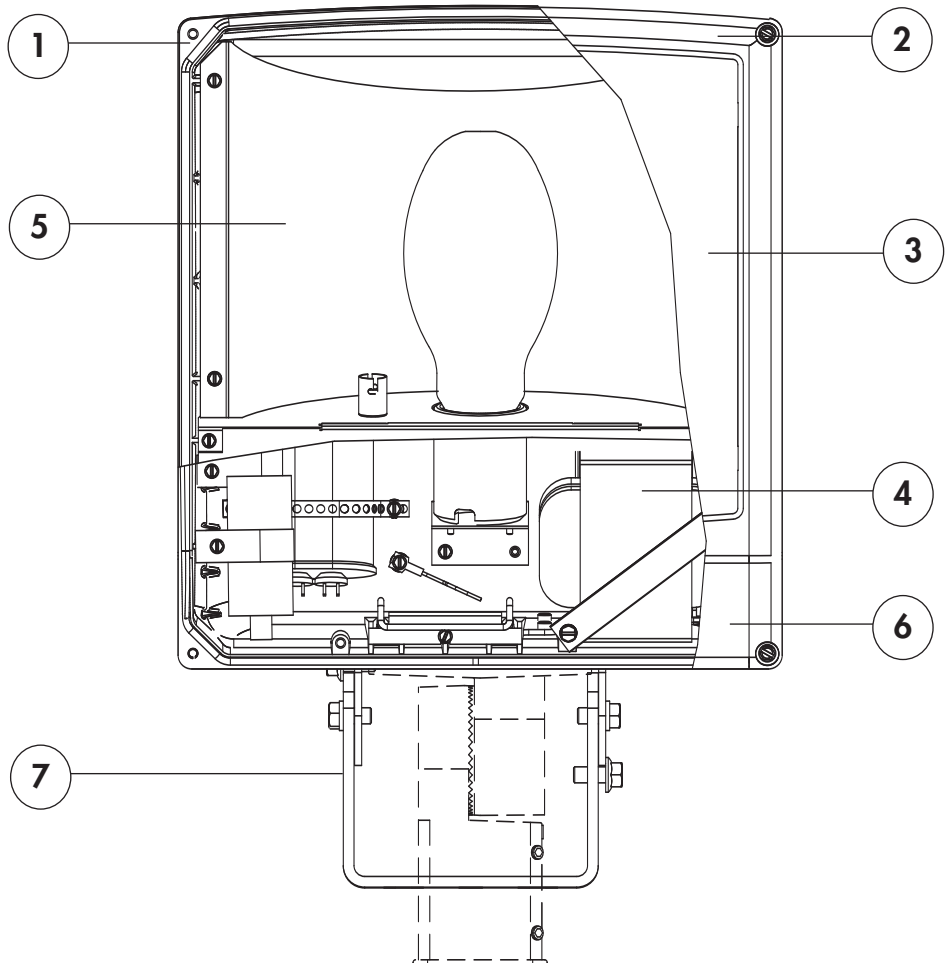
ADDITIONAL TEST NUMBERS

CATALOG NUMBER	TEST NUMBER	CATALOG NUMBER	TEST NUMBER
FSM250M	26901	FSM400S-HSC	26714
FSM175M	26902	FSM250S-HSC	26714P
FSM400S	26887	FSM400M-NHP	26785
FSM250S	26887P	FSM250M-NHP	26787P
FSM150S	26889	FSM175M-NHP	26787
FSM400M-HSC	26712	FSM400S-NHP	26783
FSM250M-HSC	26903	FSM250S-NHP	26783P
FSM175M-HSC	26904	FSM150S-NHP	26789

PRODUCT FEATURES

UL 1598 Listed suitable for wet location and 25°C ambient for all lamp wattages listed. IP65 rated (yoke mount only).

1. Sturdy one piece die cast aluminum housing with internal hinge.
2. One piece die cast aluminum door has stainless steel, captive door fasteners for easy maintenance.
3. Door has tempered glass lens which is thermal shock and impact resistant.
4. "Slant 2" heat-sinked ballast mounting geometry for cooler operation.
5. Reflector is one piece diffused anodized aluminum.
6. Dark bronze polyester powder finish for excellent impact, corrosion and UV resistance.
7. Choice of mountings: adjustable yoke mount (standard) or integral slipfitter mount (optional).



Visit our web site at www.daybritelighting.com

776 South Green Street Tupelo, MS 38804 Phone: 662-842-7212 Fax: 662-841-5501

FL-41020.1

189 Bullock Drive Markham, Ontario Canada L3P 1W4 Phone: 905-294-9570 Fax: 905-294-8911
 Day-Brite Lighting reserves the right to make changes without notice. ©August 2007. DL2.5M0807

Day-Brite® Lighting
 a Genlyte company